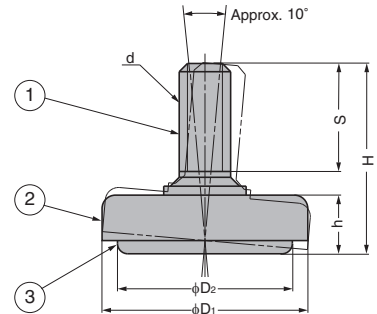


## LEVELLING GLIDE MKP With Swivel Function

**LOAD CAPACITY 1176~1568 N**
**TEST METHOD 14**


- Swivels approximately 10° to compensate for uneven floors.
- With swivel function to distribute the load evenly for excellent durability.
- Double structure of cover/bolt and base allow easy height adjustment without lifting the leg.

**[Base]**


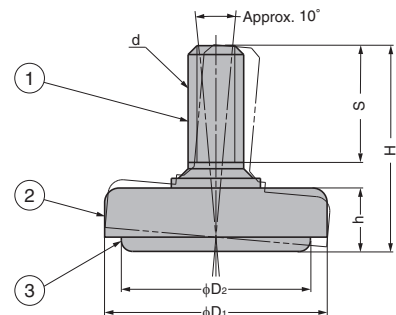
No.	Part Name	Material	Finish
①	Body	Steel (SWCH)	Chrome
②	Cover	Steel (SPCC)	
③	Base		

RoHS	CAD	Item Code	Item Name	d	D <sub>1</sub>	D <sub>2</sub>	H	h	S	Load Capacity N/pc	Load Capacity kgf/pc	Weight (g)	Box (pcs)	Carton (pcs)
☑	3D	200-141-503	MKP-32M10	M10	32	27	36	11	21	1568	160	44	80	480
☑	3D	200-140-090	MKP-32N3	W3/8									80	480
☑	3D	200-140-094	MKP-40M10	M10	40	34	37	11.4	21	1176	120	65	50	300
☑	3D	200-140-091	MKP-40N3	W3/8									50	300
☑	3D	200-140-095	MKP-50M10	M10	50	44	37.5	11.5	35	1568	160	90	20	120
☑	3D	200-140-092	MKP-50N3	W3/8									20	120
☑	3D	200-141-100	MKP-60M12	M12	60	54	51.5	11.5	35	1568	160	155	15	120
☑	3D	200-141-101	MKP-70M14	M14									70	64

## LEVELLING GLIDE MKR With Swivel Function

**LOAD CAPACITY 392~784 N**
**TEST METHOD 14**


- Levelling glide with elastomer base to prevent from skidding and scratching the floor.
- Swivels approximately 10° to compensate for uneven floors.
- With swivel function to distribute the load evenly for excellent durability.
- Double structure of cover/bolt and base allow easy height adjustment without lifting the leg.

**[Base]**


No.	Part Name	Material	Finish/Colour
①	Body	Steel (SWCH)	Chrome
②	Cover	Steel (SPCC)	
③	Base	As below	Black

RoHS	CAD	Item Code	Item Name	Base	d	D <sub>1</sub>	D <sub>2</sub>	H	h	S	Load Capacity		Weight (g)	Box (pcs)	Carton (pcs)
											N/pc	kgf/pc			
-	3D	200-141-513	MKR-32M10	Elastomer (TPO)	M10	32	27	36	11	21	392	40	41	80	480
-	3D	200-140-096	MKR-32N3		W3/8									80	480
-	3D	200-141-514	MKR-40M10		M10	40	34	37	11.4	21	588	60	60	50	300
☑	3D	200-140-097	MKR-40N3		W3/8									50	300
-	3D	200-141-515	MKR-50M10		M10	50	44	37.5	11.5	35	784	80	87	20	120
-	3D	200-140-098	MKR-50N3		W3/8									20	120
☑	3D	200-141-103	MKR-60M12	Nitrile Rubber (NBR)	M12	60	54	51.5	35	784	80	150	15	120	
-	3D	200-141-102	MKR-70M14		M14								70	64	15