

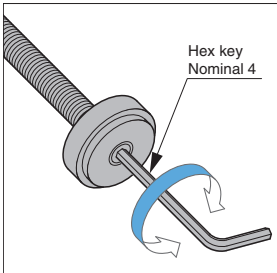
LEVELLING GLIDE MKRL With Swivel Function

LOAD CAPACITY 588~784 N
TEST METHOD 14

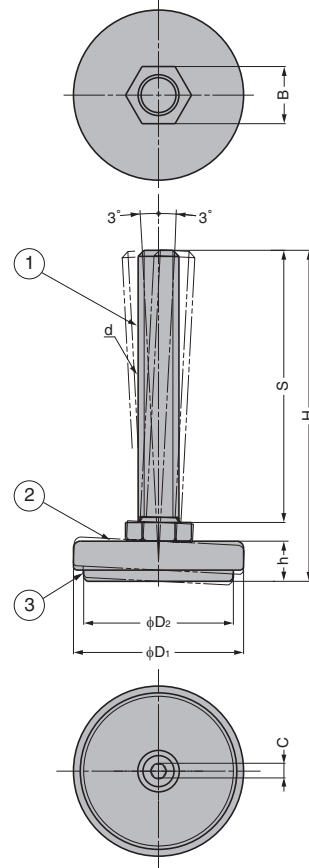

- Black chromate finish.
- Swivels approximately 6° to compensate for uneven floors.
- With swivel function to distribute the load evenly for excellent durability.
- Double structure of cover/bolt and base allow easy height adjustment without lifting the leg.
- Hexagon socket at the bottom for easy installation.

[Others]

- For special size, please contact local representatives.



Can be easily turned with a hex key. (Hex key not included.)



No.	Part Name	Material	Finish/Colour
①	Threaded Bolt	Steel (SWCH)	Black Chromate (Trivalent)
②	Cover	Steel (SPCC)	
③	Base	As below	Black

RoHS	CAD	Item Code	Item Name	Base	d	D ₁	D ₂	H	h	S	B	C	Load Capacity		Weight (g)	Box (pcs)	Carton (pcs)	
													N/pc	kgf/pc				
-	3D	200-141-159	MKRL-32-10-80B6	Elastomer (TPO)	M10			95.8		80			588	60	80	30	300	
-	3D	200-147-014	MKRL-32-12-66B6		M12	32	27	81.8	10.8	66				735	75	85	30	300
-	3D	200-141-120	MKRL-32-12-80B6		M10			95.8		80						93	30	300
-	3D	200-141-160	MKRL-40-10-80B6		M10			96.2		80						95	25	250
-	3D	200-141-115	MKRL-40-12-32B6		M12			48.2		32						79	30	300
-	3D	200-141-110	MKRL-40-12-43B6		M12			59.2		43						85	25	250
-	3D	200-141-124	MKRL-40-12-55B6		M12	40	34	71.2	11.2	55	17			588	60	94	25	250
-	3D	200-149-111	MKRL-40-12-80B6		M12			96.2		80						111	25	250
-	3D	200-141-111	MKRL-40-12-120B6		M12			136.2		120						143	15	150
-	3D	200-149-112	MKRL-50-12-80B6		M12			96.8		80						136	20	200
-	3D	200-141-112	MKRL-50-12-120B6		M12	50	44	136.8	11.8	120						169	10	100
-	3D	200-149-113	MKRL-50-16-78B6		M16			100.3		78.5	24					214	15	120
6	3D	200-141-113	MKRL-70-20-101B6	Nitrile Rubber (NBR)	M20	70	64	124.5	11.5	101	30		784	80	448	8	64	