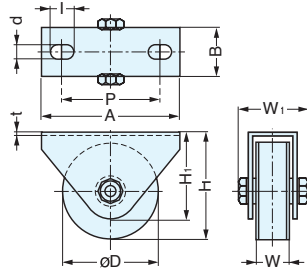


# STAINLESS STEEL BEARING ROLLER (HEAVY DUTY/FLAT-SHAPE)



## JS375



- Flat-shaped roller.
- Sealed bearing ideal for outdoor environment.
- Bracket has holes for fasteners or it also can be welded.

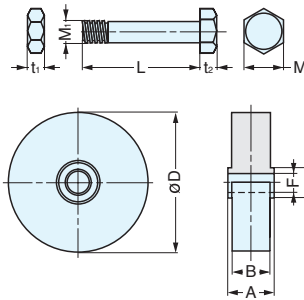
Item No.	Load Capacity (kg/2pcs)	D	W	W <sub>1</sub>	A	B
JS375-50F	400 ( 880 lbs)	50 (1-31/32")	20 ( 25/32" )	47 (1-27/32")	100 ( 3-15/16" )	30 ( 1-3/16" )
JS375-60F	500 (1100 lbs)	60 (2-23/64")			120 ( 4-23/32" )	
JS375-75F	650 (1430 lbs)	75 (2-61/64")				
JS375-90F	1200 (2640 lbs)	90 (3-35/64")				
JS375-110F	1400 (3080 lbs)	110 (4-21/64")	24 ( 15/16" )	53 ( 2-3/32" )	145 ( 5-45/64" )	34 (1-11/32")
JS375-150F	2200 (4840 lbs)	150 (5-29/32")	43 (1-11/16")	88 (3-15/32")	250 (9-27/32")	57 ( 2-1/4" )
JS375-200F	2800 (6160 lbs)	200 ( 7-7/8" )	50 (1-31/32")	96 (3-25/32")	290 (11-27/64")	70 ( 2-3/4" )

Item No.	F	H	H <sub>1</sub>	d	l	P	t	Weight (kg)	
JS375-50F	7 ( 9/32" )	62.0 ( 2-7/16" )	57.0 ( 2-1/4" )	11 ( 7/16" )	15 ( 19/32" )	75 (2161/64")	3 ( 1/8" )	0.5	
JS375-60F		67.0 (2-41/64")				85 (3-11/32")		0.6	
JS375-75F		87.5 (3-7/16")	95 (3-47/64")			0.9			
JS375-90F		95.0 (3-47/64")	114 (4-31/64")			1.2			
JS375-110F	8 ( 5/16" )	120.0 (4-23/32")	93.5 (3-11/16")	20 ( 25/32" )	35 ( 1-3/8" )	185 ( 7-9/32" )	4 ( 5/32" )	2.0	
JS375-150F	15 ( 19/32" )	165.0 ( 6-1/2" )	137.0 (5-25/64")			216 ( 8-1/2" )		6 ( 15/64" )	6.5
JS375-200F	14 ( 35/64" )	215.0 (8-15/32")	160.0 (6-19/64")						14.0

# STAINLESS STEEL ROLLER (HEAVY DUTY/FLAT-SHAPE)



## JS385



- Flat-shaped roller without bracket.
- Sealed bearing ideal for outdoor environment.

\*Measurement includes spring washer thickness

Item No.	D	A	B	F	F <sub>1</sub>
JS385-50F	50 (1-31/32")	24 ( 15/16" )	20 ( 25/32" )	10 (25/64")	18 ( 45/64" )
JS385-60F	60 (2-23/64")				
JS385-75F	75 (2-61/64")				
JS385-90F	90 (3-35/64")				
JS385-110F	110 (4-21/64")	28 ( 17/64" )	24 ( 15/16" )	12 (15/32")	20 ( 25/32" )
JS385-150F	*150 (5-29/32")	43 (1-11/16")	43 (1-11/16")	20 (25/32")	40 (1-37/64")
JS385-200F	*200 ( 7-7/8" )	50 (1-31/32")	50 (1-31/32")	25 (63/64")	

Item No.	L	M	M <sub>1</sub>	t <sub>1</sub>	t <sub>2</sub>	Weight (kg)
JS385-50F	40 (1-37/64")	17 ( 43/64" )	M10 (25/64")	6 (15/64")	7 ( 9/32" )	0.3
JS385-60F						0.4
JS385-75F						0.6
JS385-90F						1.0
JS385-110F	45 (1-49/64")	19 ( 3/4" )	M12 (15/32")	7 ( 9/32" )	8 ( 5/16" )	1.8
JS385-150F	75 (2-61/64")	30 (1-3/16")	M20 (25/32")	12 (15/32")	13 (33/64")	5.9
JS385-200F	86 (3-25/64")		M24 (15/64")	14 (35/64")	10 (25/64")	11.7