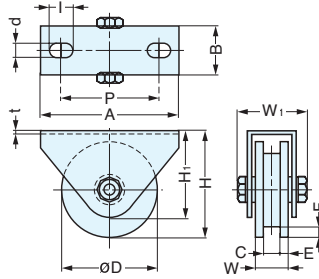


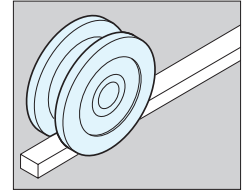
STAINLESS STEEL BEARING ROLLER (HEAVY DUTY/U-SHAPE)



JS365



- U-shaped roller.
- Sealed bearing ideal for outdoor environment.
- Bracket has holes for fasteners or it also can be welded.



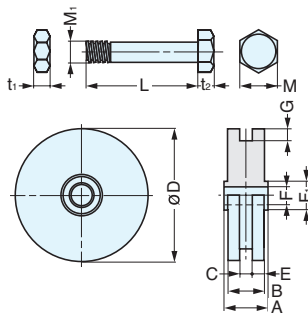
Item No.	Load Capacity (kg/2pcs)	D	W	W ₁	A	B	C	E
JS365-50H	400 (880 lbs)	50 (1-31/32")	20 (25/32")	47 (1-27/32")	100 (3-15/16")	30 (1-3/16")	7.5 (16/64")	6.3 (1/4")
JS365-60H	500 (1100 lbs)	60 (2-23/64")			120 (4-23/32")			
JS365-75H	650 (1430 lbs)	75 (2-61/64")	24 (15/16")	53 (2-3/32")	145 (5-45/64")	34 (1-11/32")	10.5 (13/32")	4.8 (3/16")
JS365-90H	1200 (2640 lbs)	90 (3-35/64")						
JS365-110H	1400 (3080 lbs)	110 (4-21/64")	43 (1-11/16")	88 (3-15/32")	250 (9-27/32")	57 (2-1/4")	14.0 (35/64")	5.0 (13/64")
JS365-150H	2200 (4840 lbs)	150 (5-29/32")						
JS365-200H	2800 (6160 lbs)	200 (7-7/8")	50 (1-31/32")	96 (3-25/32")	290 (11-27/64")	70 (2-3/4")	27.0 (1-1/16")	11.5 (29/64")

Item No.	F	H	H ₁	d	l	P	t	Weight (kg)
JS365-50H	7 (9/32")	62.0 (2-7/16")	57.0 (2-1/4")	11 (7/16")	15 (19/32")	75 (2161/64")	3 (1/8")	0.5
JS365-60H		67.0 (2-41/64")				85 (3-11/32")		0.6
JS365-75H		87.5 (3-7/16")	95 (3-47/64")			0.9		
JS365-90H		95.0 (3-47/64")	114 (4-31/64")			1.2		
JS365-110H	8 (5/16")	120.0 (4-23/32")	93.5 (3-11/16")	20 (25/32")	35 (1-3/8")	185 (7-9/32")	4 (5/32")	2.0
JS365-150H	15 (19/32")	165.0 (6-1/2")	137.0 (5-25/64")					6.5
JS365-200H	14 (35/64")	215.0 (8-15/32")	160.0 (6-19/64")			216 (8-1/2")	6 (15/64")	14.0

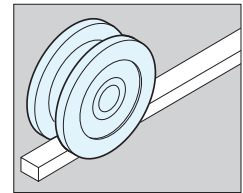
STAINLESS STEEL ROLLER (HEAVY DUTY/U-SHAPE)



JS380



- U-shaped roller wheel for JS365.
- Sealed bearing ideal for outdoor environment.



*Measurement includes spring washer thickness

Item No.	D	A	B	C	E	F	F ₁
JS380-50H	50 (1-31/32")	24 (15/16")	20 (25/32")	7.5 (16/64")	6.3 (1/4")	10 (25/64")	18 (45/64")
JS380-60H	60 (2-23/64")			10.5 (13/32")			
JS380-75H	75 (2-61/64")			4.8 (3/16")			
JS380-90H	90 (3-35/64")			12 (15/32")			
JS380-110H	110 (4-21/64")	28 (17/64")	24 (15/16")	14.0 (35/64")	5.0 (13/64")	12 (15/32")	20 (25/32")
JS380-150H	150 (5-29/32")	43 (1-11/16")	*43 (1-11/16")	27.0 (1-1/16")	8.0 (5/16")	20 (25/32")	40 (1-37/64")
JS30-200H	200 (7-7/8")	50 (1-31/32")	*50 (1-31/32")		11.5 (29/64")	25 (63/64")	

Item No.	G	L	M	M ₁	t ₁	t ₂	Weight (kg)
JS380-50H	7 (9/32")	40 (1-37/64")	17 (43/64")	M10 (25/64")	6 (15/64")	7 (9/32")	0.2
JS380-60H							0.3
JS380-75H							0.6
JS380-90H							0.8
JS380-110H	8 (5/16")	45 (1-49/64")	19 (3/4")	M12 (15/32")	7 (9/32")	8 (5/16")	1.5
JS380-150H	15 (19/32")	75 (2-61/64")	30 (1-3/16")	M20 (25/32")	12 (15/32")	13 (33/64")	4.6
JS30-200H	14 (35/64")	86 (3-25/64")		M24 (15/64")	14 (35/64")	10 (25/64")	10.0