



XL-GC SERIES (FOR SLIDING DOORS)



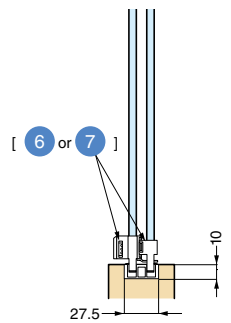
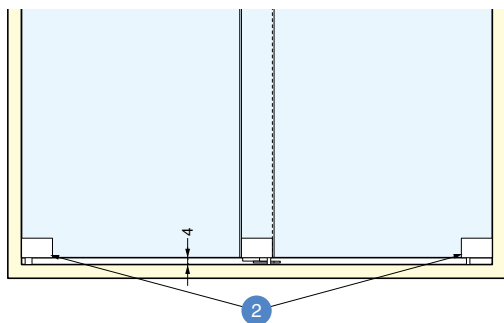
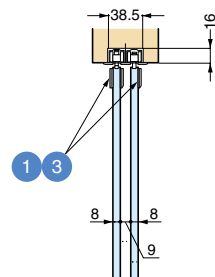
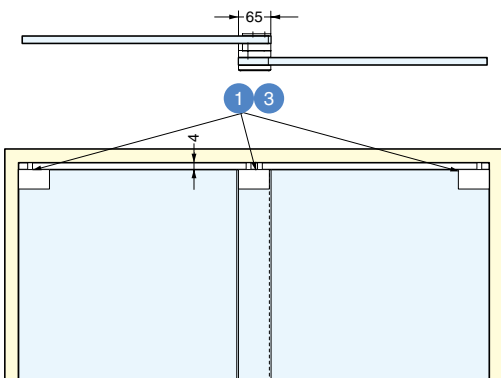
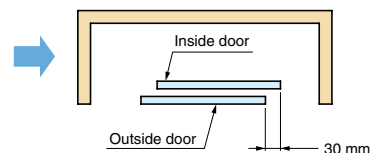
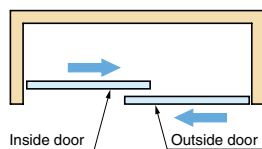
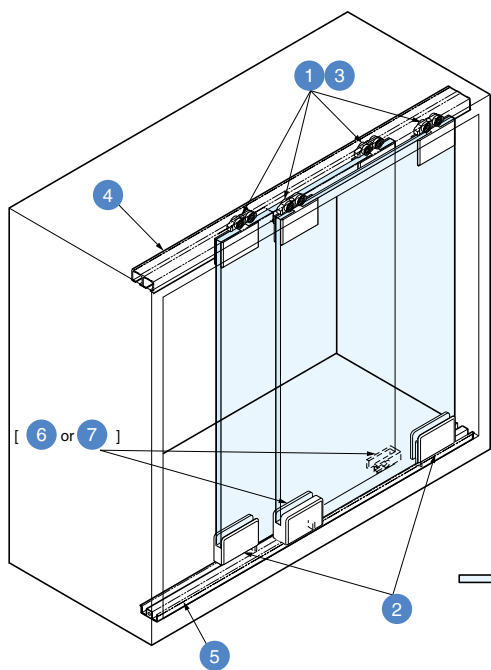
Door Width	Max. 500 mm
Door Height	Max. 1200 mm
Glass Thickness	8 mm
Glass Weight	Max. 12 kg / Door
Door Type	☐ 2 Sliding Inset Door

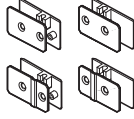
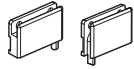
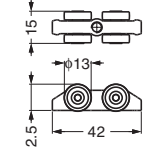
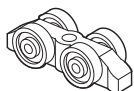
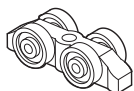
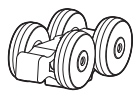
Total solution for coherent design of glass showcase

Features

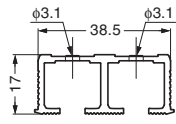
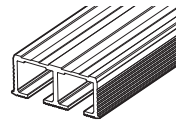
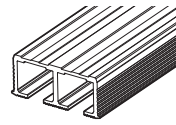
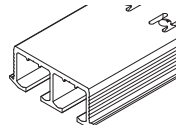
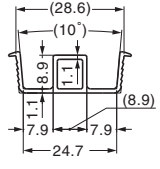
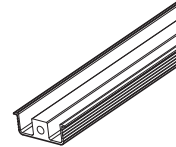
See the cut out dimensions in P.642.

WARDROBE & CABINET DOOR HARDWARE FOR GLASS DOORS XL-GC SERIES

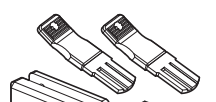
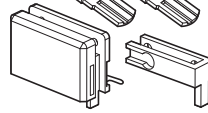


Sliding Door Parts		Necessary Parts For 2 sliding doors, ① 2 set, ② 2 set and ③ 4 pcs are necessary.		
No.	Item Code	Part Name	Dimensions	Description
①	250-121-960	Upper Bracket (with Hanger Bolt)	See Dimension in P.642	<ul style="list-style-type: none"> Material: Zinc Alloy (ZDC) Finish: Chrome
	XL-GC06-CR			
②	250-121-961	Bottom Guide	See Dimension in P.642	<ul style="list-style-type: none"> Material: Zinc Alloy (ZDC) Finish: Chrome
	XL-GC08-CR			
③	250-120-688	Roller (drawing 1)	(drawing 1)  (drawing 2) 	<ul style="list-style-type: none"> Material: Zinc Alloy (ZDC) Body: Zinc Alloy (ZDC) Roller: Polyacetal (POM)
	53-3061-081			
	250-037-471	(drawing 2)		
	57-3149-071			<ul style="list-style-type: none"> Material: Zinc Alloy (ZDC) Polyacetal (POM) Finish: Zinc Chromate

When the current stock of the roller ③ and upper rail ④ run out, their item names, codes, and shapes respectively will change to the specs featured in drawing 2. Please note that the old type and the new type can not be used together.

Rail		Necessary Parts ④ 1 pc and ⑤ 1 pc		
No.	Item Code	Part Name	Dimensions	Description
④	250-012-117	Upper Rail (1200 mm) (drawing 1)	(drawing 1)  (drawing 2) 	<ul style="list-style-type: none"> Material: Aluminium Alloy Finish: Plain
	XL-GC06-UL1200	 Pitch End : 50 mm Pitch : 150 mm		
	250-037-472	(drawing 2)		<ul style="list-style-type: none"> Material: Aluminium Alloy Finish: Anodized
	XL-GC06-UL1200N	 Pitch End : 75 mm Pitch : 150 mm		
⑤	250-121-962	Bottom Rail (1200 mm)		<ul style="list-style-type: none"> Material: ABS Finish: Black
	XL-GC03-GL1200			

When the current stock of the roller ③ and upper rail ④ run out, their item names, codes, and shapes respectively will change to the specs featured in drawing 2. Please note that the old type and the new type can not be used together.

Sliding Door Lock		Necessary Parts ⑥ or ⑦ 1 pc		
No.	Item Code	Part Name	Dimensions	Description
⑥	150-061-103	Sliding Door Lock	See Dimension in P.642	<ul style="list-style-type: none"> Material: Zinc Alloy (ZDC) Finish: Chrome Max. 24 key changes available.
	XL-GC03-CR-B (Key Different)			
⑦	150-001-055			
	XL-GC03-CR-D (Key Alike)			

UPPER BRACKET

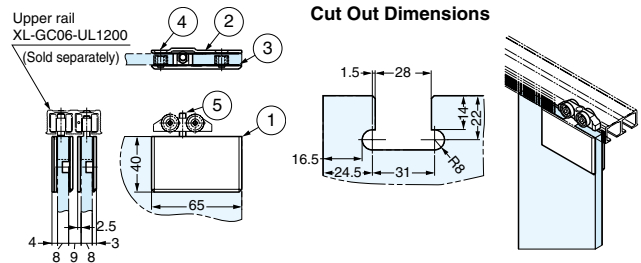


XL-GC06



Features

- Upper bracket for glass sliding door.
- Can be used with XL-GC03.



No	Part Name	Material	Finish/Colour
①	Body	Zinc Alloy (ZDC)	Chrome
②	Backplate	Steel	Chrome
③	Spacer	Rubber	Natural
④	Screws	Stainless Steel (SUS304)	Plain
⑤	Bolt	Steel	Clear Zinc Chromate

Item Code	Item Name	Glass Thickness	Load Capacity	Weight	Box	Carton
250-121-960	XL-GC06-CR	8	117.7 N/door	12 kgf/door	400 g	1 pc / 24 pcs

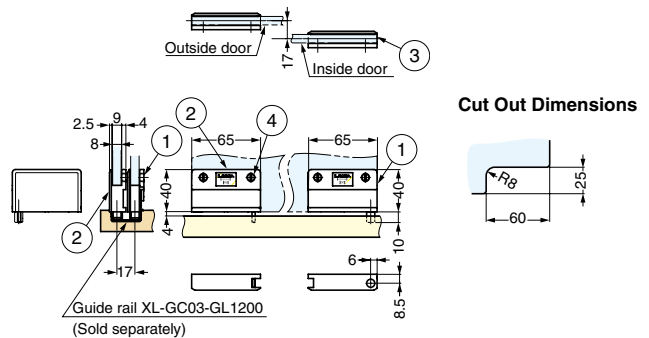
BOTTOM GUIDE BRACKET

XL-GC08



Features

- Bottom bracket for glass sliding door.
- Can be used with XL-GC03.



No	Part Name	Material	Finish/Colour
①	Body (Left)	Zinc Alloy (ZDC)	Chrome
②	Body (Right)	Zinc Alloy (ZDC)	Chrome
③	Spacer	Rubber	Black
④	Screws	Stainless Steel (SUS304)	Plain

Item Code	Item Name	Glass Thickness	Weight	Box	Carton
250-121-961	XL-GC08-CR	8	400 g	1 pc	24 pcs

GLASS DOOR LOCK FOR SLIDING DOOR

XL-GC03



Features

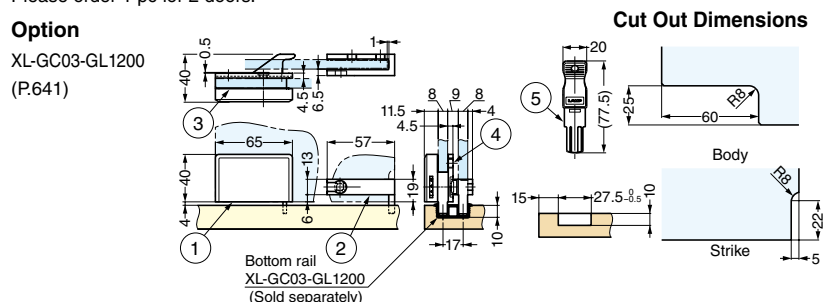
- Non-handed. Key hole located on the right side for a clean appearance and high security.
- 24 key numbers available.

Remarks

Please order 1 pc for 2 doors.

Option

XL-GC03-GL1200
(P.641)



No	Part Name	Material	Finish/Colour
①	Body	Zinc Alloy (ZDC)	Chrome
②	Strike	Zinc Alloy (ZDC)	Chrome
③	Spacer	Rubber	Black
④	Screws	Stainless Steel (SUS304)	Plain
⑤	Key	Brass/ABS	Nickel/Black

Item Code	Item Name	Key Type	Glass Thickness	Weight	Box	Carton
150-061-103	XL-GC03-CR-B	Key Different	8	400 g	1 pc	24 pcs
150-001-055	XL-GC03-CR-D	Key Alike	8	400 g	1 pc	24 pcs