

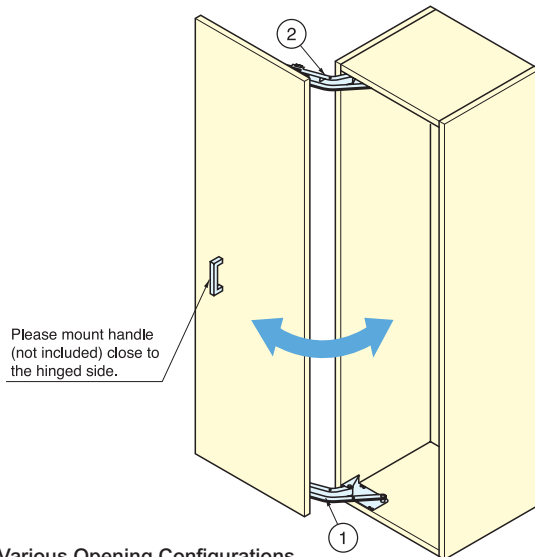


MonoFlat FAD™

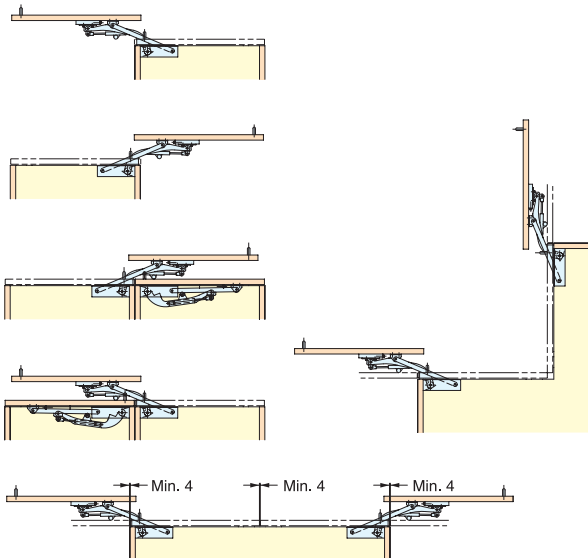
Inside Door Width	500~550 mm (19-11/16"~21-21/32")
Inside Door Height	Max. 2420 mm (95-9/32")
Door Thickness	Max. 35 mm (1-3/8")
Door Weight	Max. 20 kg (44 lbs) / Door

- Lateral Opening Mechanism
Allows doors to swing out laterally in a small radius, ideal for tight front space application.
 - Smooth Movement
Built-in gas spring provides a smooth self opening & closing movement.
 - Various applications
Can be used in single or double door configuration.
Ideal for storage cabinets in kitchen, closet room, bathroom, laundry room etc.
- *For overlay use.

LATERAL OPENING DOOR SYSTEM (For Medium Weight Doors) FAD-20

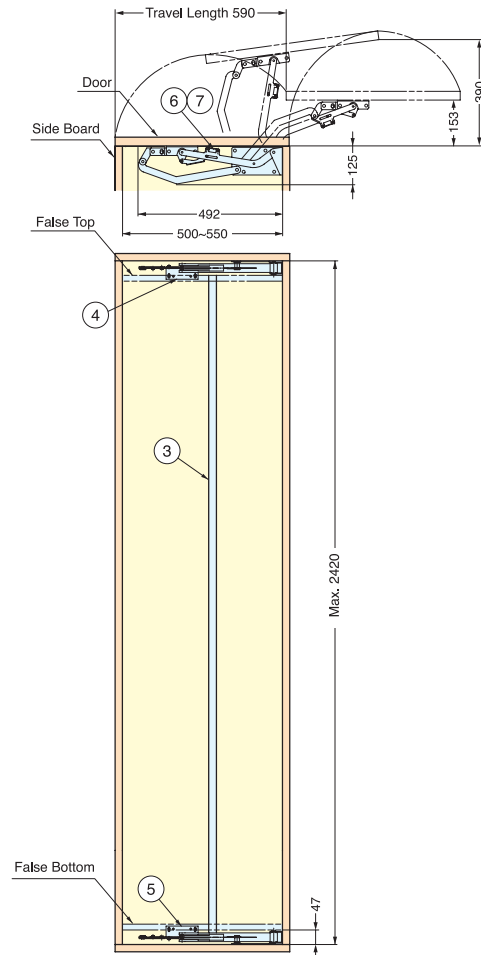


■ Various Opening Configurations

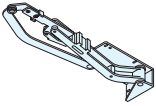
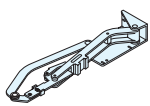
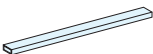
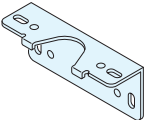
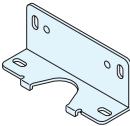
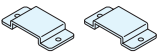
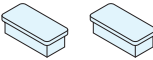


• Other "MonoFlat series" available.

MonoFlat FAD-5	For door weight 5 kg (11 lbs) – P. 599
MonoFlat LIN-X	For door weight 24 kg (53 lbs) – P.592~597
MonoFlat Unison	For door weight 30 kg (66 lbs) – P.566~567
MonoFlat FAD-44	For door weight 35 kg (77 lbs) – P.602~603
MonoFlat FAD-54	For door weight 35 kg (77 lbs) – P.564~565



Part Details

No.	①	②	③	④	⑤	⑥	⑦
Name	Arm A	Arm B	Connecting Bar	Door Bracket (Top)	Door Bracket (Bottom)	Bar Clamp	End Cap
							
Qty. / Set	1 pc	1 pc	1 pc	1 pc	1 pc	2 pcs	2 pcs
Discription	<ul style="list-style-type: none"> • Material Aluminum, Steel • Finish/Color Silver 	<ul style="list-style-type: none"> • Material Aluminum, Steel • Finish/Color Silver 	<ul style="list-style-type: none"> • Material/Steel • Finish/Color Silver 	<ul style="list-style-type: none"> • Material/Steel • Finish/Color Silver 	<ul style="list-style-type: none"> • Material/Steel • Finish/Color Silver 	<ul style="list-style-type: none"> • Material/Steel • Finish/Color Silver 	<ul style="list-style-type: none"> • Material Polyethylene • Finish/Color Black



Lateral opening door systems

A recent development, Lateral opening door systems offer an unbroken surface for storage systems giving a minimalist contemporary look. Sugatsune's approach is to give the designer a complete range of Lateral opening options from small cabinets to full height walk in wardrobe or partition doors.



Revolutionary MultiMo Interleaved Sliding Door System - P.590~591



FAD Lateral Opening Door System - P.556~557



Multimo Flush Door System - P.590~591