

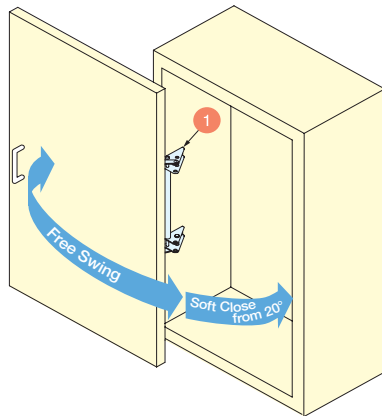


# MonoFlat FAD™

Door Width	270~350 mm (10-5/8"~13-3/4")
Door Height	260~650 mm (10-1/4"~25-9/16")
Door Thickness	15~20 mm (19/32"~25/32")
Door Weight	5 kg (11 lbs)

## LATERAL OPENING DOOR SYSTEM (For Light Weight Doors)

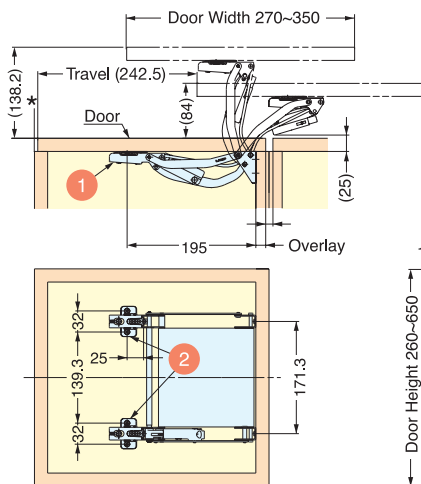
## FAD-5



- Lateral Swing Mechanism  
Allows doors to swing out laterally in a small radius, ideal for tight front space application.
- Free Swing & Soft-close
- 3-Way Adjustable
- Various Applications  
Can be used in single or double door configuration.  
Ideal for cabinets in kitchen, bathroom, laundry room etc.  
\*For overlay use.

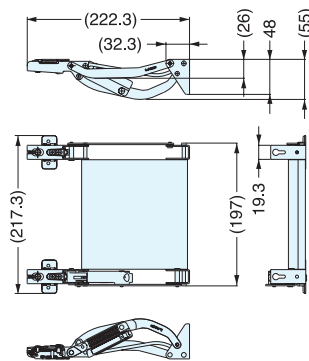
• Other "MonoFlat series" available.

MonoFlat FAD-20	For door weight 20 kg (44 lbs) – P.600~601
MonoFlat LIN-X	For door weight 24 kg (53 lbs) – P.592~597
MonoFlat Unison	For door weight 30 kg (66 lbs) – P.566~567
MonoFlat FAD-44	For door weight 35 kg (77 lbs) – P.602~603
MonoFlat FAD-54	For door weight 35 kg (77 lbs) – P.564~565



\*4mm gap required between doors.


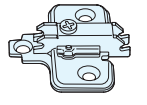
■ Hinge Dimensions



■ Part Details

Item No.	Box (sets)
FAD-5	1

1set includes both hinge body and mounting plates.

No.	Qty	Part Name	Material / Finish
1	1pc	 Hinge Body	<ul style="list-style-type: none"> <li>• Material Aluminum, Polyacetal, Steel</li> <li>• Finish/Color Anodized, Grey, Nickel</li> </ul>
2	2pcs	 Mounting Plate	<ul style="list-style-type: none"> <li>• Material/Steel</li> <li>• Finish/Nickel</li> </ul>