



LIN-X450, LIN-X600

MONOFLAT LIN-X HINGE

MonoFlat LIN-X hinge®



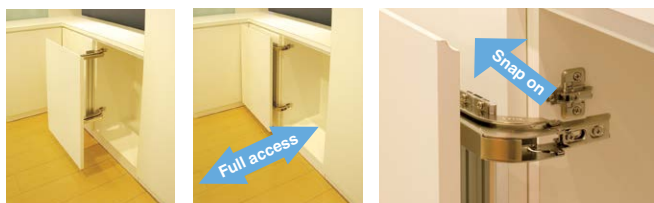
	LIN-X450	LIN-X600
Door Width	400 - 500 mm	550 - 650 mm
Door Height	600 - 2400 mm	
Door Thickness	15 - 24 mm	
Door Weight	Max. 17 kg/Door	Max. 24 kg/Door
Overlay	19 mm	

Features

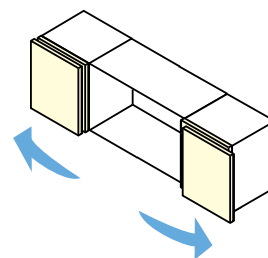
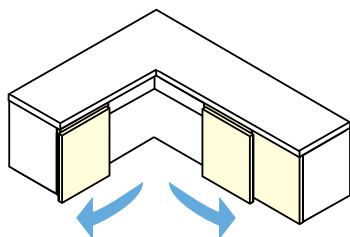
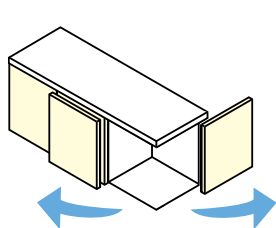
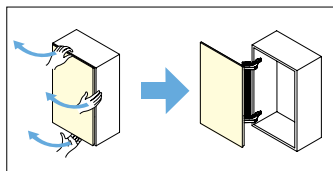
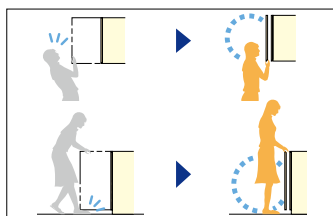
When opening or opened, cabinet doors will not get in the way. Unique and innovative design.

- Overlay installation that is flush with wall on both sides.
- Full access to cabinet interior: door will not get in the way when fully opened.
- Smooth operation: door is easy to move with little resistance no matter the position.
- Soft-closing: built-in damper makes door close gently, preventing slamming.
- Easy installation: Snap-in type installation. Same type of surface installation as concealed hinge mounting plate.
- Various applications including corner doors, double doors, overlapping doors.

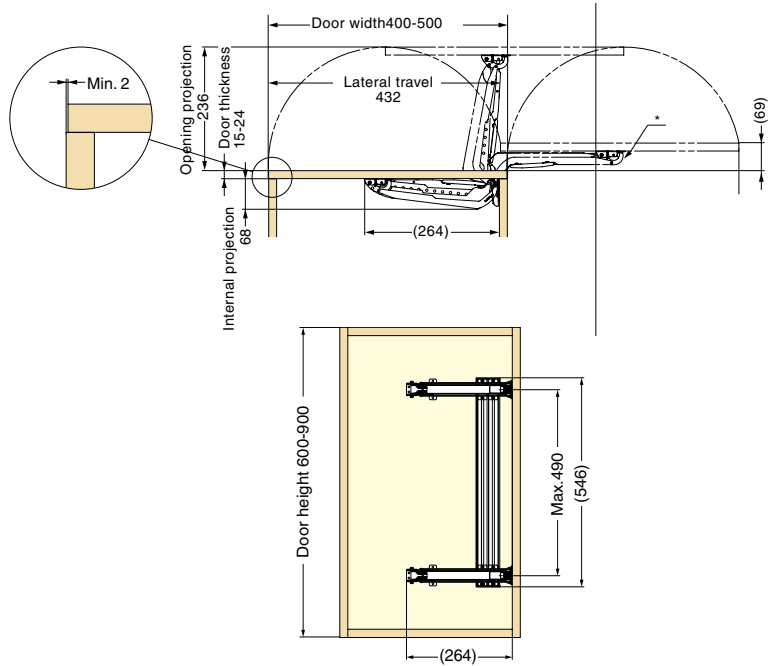
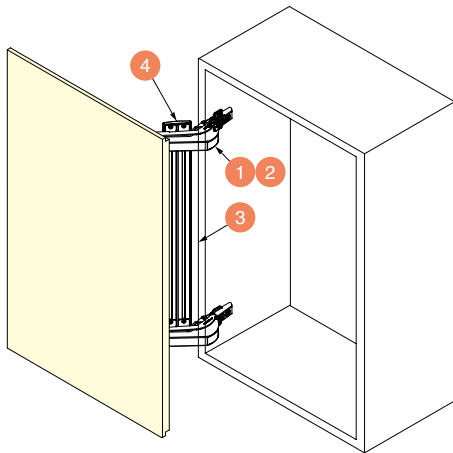
WARDROBE & CABINET DOOR HARDWARE



MONOFLAT LIN-X HINGE



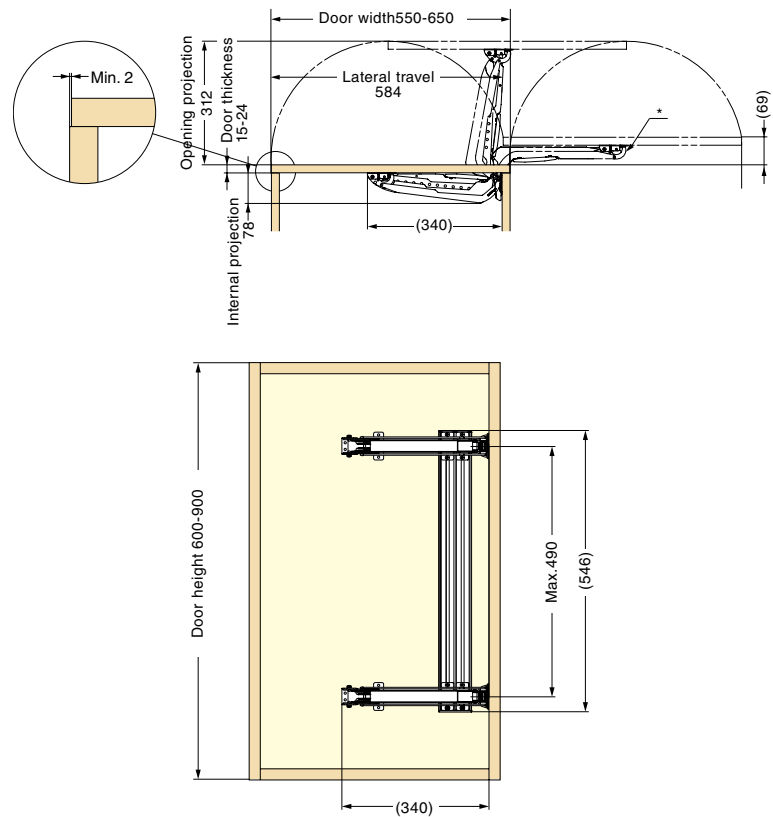
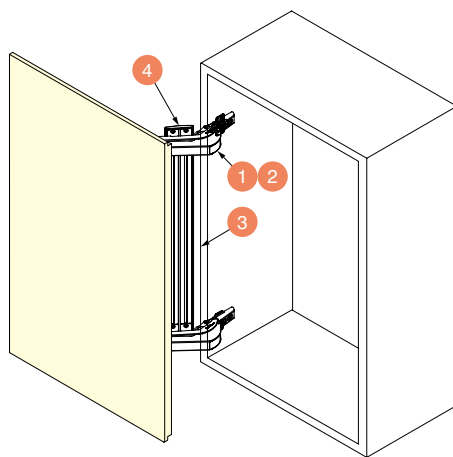
LIN-X450 Standard Kit



Door Width	400-500 mm
Door Height	600-900 mm
Door Thickness	15-24 mm
Door Weight	Max. 7 kg / Door

Item Code	Item Name	Overlay	Mounting Plate	Material	Finish	Weight	Box	Carton
250-014-240	LIN-X450	19 mm	230-P4W-32T	Steel/Aluminium	Nickel/Anodized	2.2 kg	1 set	6 sets
250-014-553	LIN-X450+5	14 mm	230-P4W-32T+5	Steel/Aluminium	Nickel/Anodized	2.2 kg	1 set	6 sets

LIN-X600 Standard Kit



Door Width	550-650 mm
Door Height	600-900 mm
Door Thickness	15-24 mm
Door Weight	Max. 9 kg / Door

Item Code	Item Name	Overlay	Mounting Plate	Material	Finish	Weight	Box	Carton
250-017-590	LIN-X600	19 mm	230-P4W-32T	Steel/Aluminium	Nickel/Anodized	3.2 kg	1 set	6 sets

WARDROBE & CABINET DOOR HARDWARE

MONOFLAT LIN-X HINGE

LIN-X450 Individual Parts for Tall/Heavy Door

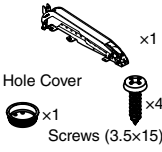
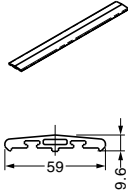
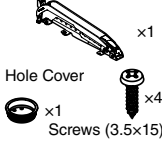
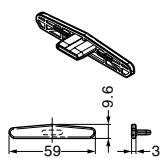
Parts Set
(Per Door)

Necessary Parts

Please refer to parts included in each set.

Item Code	Item Name	Door Height	Door Weight	Parts Included			
				Hinge Set (With Damper) Item Name : LIN-X450ACD	Hinge Set (Without Damper) Item Name : LIN-X450A	Connecting Bar Item Name : LIN-X45-Lxxx	End Cap For Connecting Bar Item Name : LIN-X45C
250-016-704	LIN-X450S-1210	901-1200 mm	7.1-10.5 kg	3 sets	-	840 mm x 1 pc	2 pcs
250-016-705	LIN-X450S-1214		10.6-14 kg	3 sets	1 set		2 pcs
250-016-707	LIN-X450S-1510	1201-1500 mm	7.1-10.5 kg	3 sets	-	1140 mm x 1 pc	2 pcs
250-016-708	LIN-X450S-1514		10.6-14 kg	3 sets	1 set		2 pcs
250-016-709	LIN-X450S-1517		14.1-17 kg	3 sets	2 sets		2 pcs
250-016-711	LIN-X450S-1810		7.1-10.5 kg	3 sets	-		2 pcs
250-016-712	LIN-X450S-1814	1501-1800 mm	10.6-14 kg	3 sets	1 set	1440 mm x 1 pc	2 pcs
250-016-713	LIN-X450S-1817		14.1-17 kg	3 sets	2 sets		2 pcs
250-016-716	LIN-X450S-2110	1801-2100 mm	7.1-10.5 kg	3 sets	-	1740 mm x 1 pc	2 pcs
250-016-717	LIN-X450S-2114		10.6-14 kg	3 sets	1 set		2 pcs
250-016-718	LIN-X450S-2117		14.1-17 kg	3 sets	2 sets		2 pcs
250-016-723	LIN-X450S-2414		10.6-14 kg	3 sets	1 set		2 pcs
250-016-724	LIN-X450S-2417	2101-2400 mm	14.1-17 kg	3 sets	2 sets	2040 mm x 1 pc	2 pcs

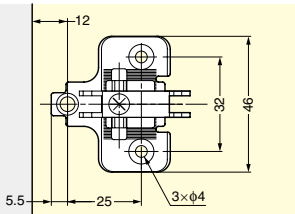

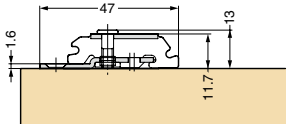


Parts Included

No.	Part Name	Description	No.	Part Name	Description
1	Hinge Body with Damper	 <p>Item Code : 250-016-240 Part Name : LIN-X450ACD</p> <ul style="list-style-type: none"> Material: Steel Finish: Nickel 	3	Connecting Bar	 <p>Item Code : 250-016-250 Part Name : LIN-X45-L540</p> <p>Item Code : 250-016-252 Part Name : LIN-X45-L840</p> <p>Item Code : 250-016-254 Part Name : LIN-X45-L1140</p> <p>Item Code : 250-016-255 Part Name : LIN-X45-L1440</p> <p>Item Code : 250-016-256 Part Name : LIN-X45-L1740</p> <p>Item Code : 250-016-259 Part Name : LIN-X45-L2040</p> <ul style="list-style-type: none"> Material: Aluminium Alloy Finish: Anodized
2	Hinge Body without Damper	 <p>Item Code : 250-016-242 Part Name : LIN-X450A</p> <ul style="list-style-type: none"> Material: Steel Finish: Nickel 	4	End Cap for Connecting Bar	 <p>Item Code : 250-016-260 Part Name : LIN-X45C</p> <ul style="list-style-type: none"> Material: Polyacetal (POM) Color: Grey

Mounting Plate

Necessary Parts

Same qty as hinge is necessary.

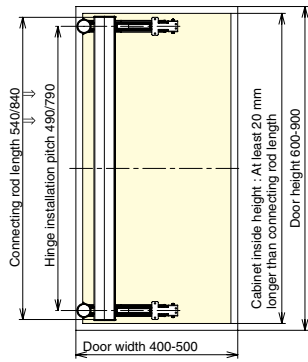
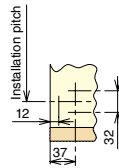
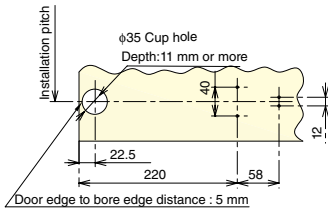
Item Code	Part Name	Dimensions	Description
160-070-041	Mounting Plate		<ul style="list-style-type: none"> Material: Steel Finish: Nickel <p>Same quantity with hinge is necessary.</p>
230-P4W-32T			<ul style="list-style-type: none"> Material: Steel Finish: Nickel <p>Same quantity with hinge is necessary.</p>
160-070-030	Raised Countersunk Head Tapping Screw 3.5x15		<ul style="list-style-type: none"> Material: Steel Finish: Nickel
TAP3515NI		x3 per mounting plate	

Hinge Installation Pitch and Other Dimensions

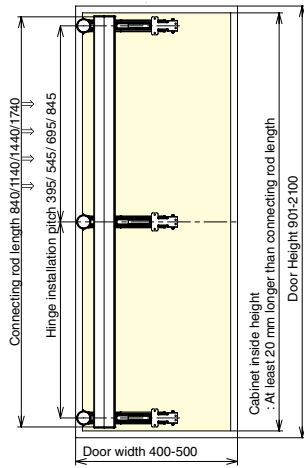
LIN-X450

Door Preparation

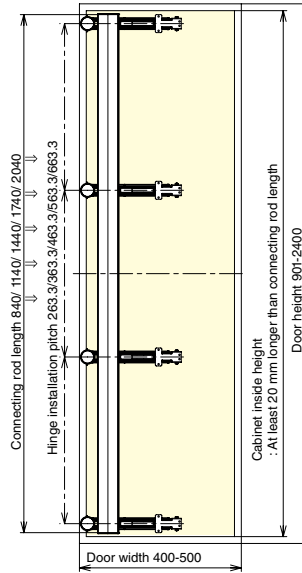
Cabinet Preparation



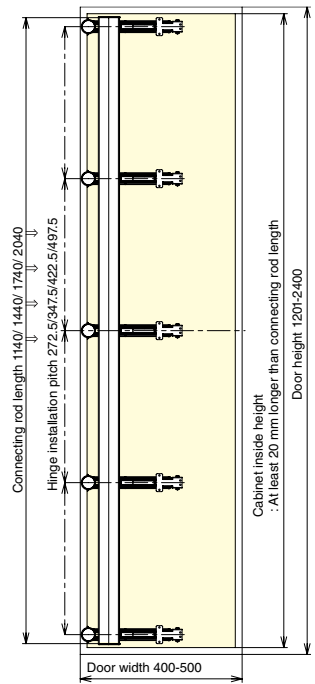
2 Hinges per door
 (① LIN-X450ACD : 2 pcs)



3 Hinges per door
 (① LIN-X450ACD : 3 pcs)



4 Hinges per door
 (① LIN-X450ACD : 3 pcs)
 (② LIN-X450A : 1 pc)
 *Please install the ② to the second place from the bottom.



5 Hinges per door
 (① LIN-X450ACD : 3 pcs)
 (② LIN-X450A : 2 pcs)
 *Please install the ② to the 2nd and 3rd place from the bottom.

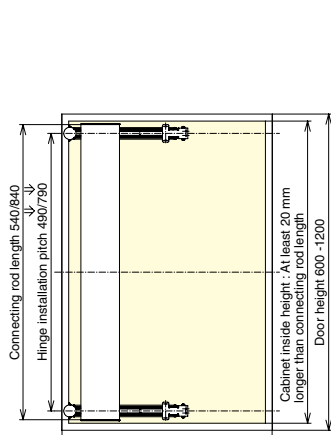
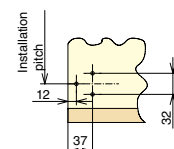
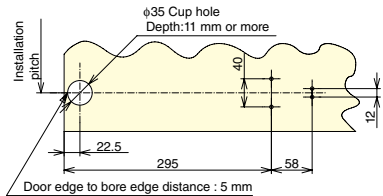
WARDROBE & CABINET DOOR HARDWARE

Hinge Installation Pitch and Other Dimensions

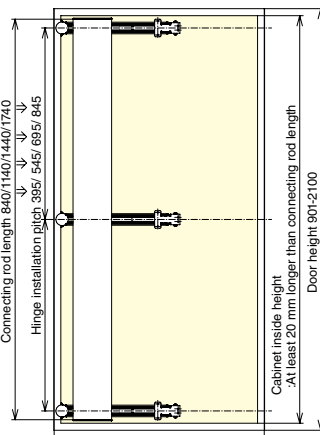
LIN-X600

Door Preparation

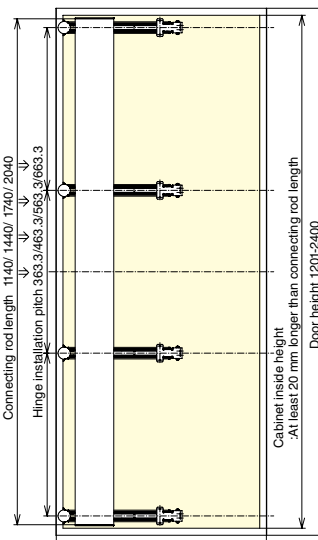
Cabinet Preparation



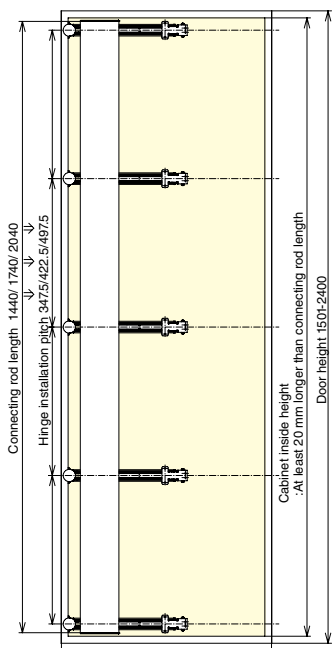
2 Hinges per door
 (① LIN-X600 ACD : 2 pcs)



3 Hinges per door
 (① LIN-X600 ACD : 3 pcs)



4 Hinges per door
 (① LIN-X600 ACD : 3 pcs)
 (② LIN-X600 A : 1 pc)
 *Please install the ② to the 2nd place from the bottom.



5 Hinges per door
 (① LIN-X600 ACD : 3 pcs)
 (② LIN-X600 A : 2 pcs)
 * Please install the ② to the 2nd and 3rd place from the bottom.

MONOFLAT LIN-X HINGE