

SOFT-DOWN STAY

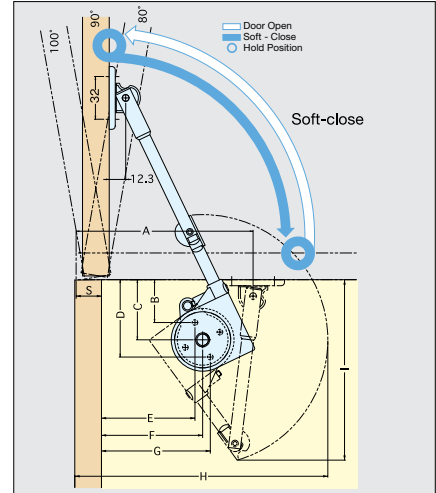


SDS-C301N

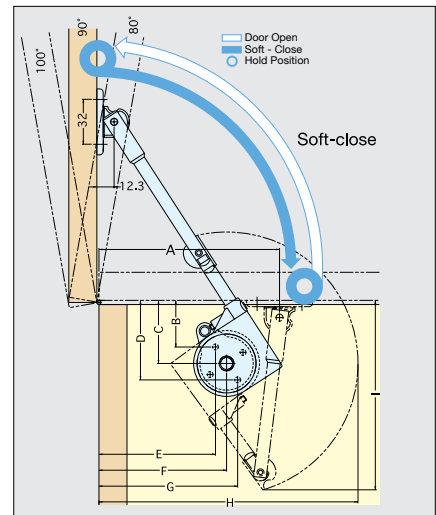


- For TOP-OPENING FLAP DOOR with concealed, piano, butt or drop hinges.
- Designed to hold door in fully opened position.
- Non-handed: Can be installed on left or right side.

With Concealed Hinge



With Single Knuckle Hinge



| Material | Finish/Color |
|-------------------|-------------------------|
| Steel, Zinc Alloy | Nickel |
| Plastic | Black (BLK)/White (WHT) |

Concealed Hinge

| Opening angle | A | B | C | D | E | F | G | H | S=Overlay Coverage | |
|---------------|-------|------|----|------|--------|---------|---------|-------|--------------------|--|
| | | | | | | | | | I | |
| 80° | 141.0 | 31.9 | 45 | 58.1 | 98.2-S | 103.5-S | 108.8-S | 197.5 | 134.8 | |
| 90° | 132.5 | 32.3 | | 57.7 | 88.7-S | 95.0-S | 101.3-S | 189.0 | | |
| 100° | 126.5 | 32.9 | | 57.1 | 81.2-S | 88.5-S | 95.8-S | 182.5 | | |

Single Knuckle Hinge/Overlay Type

| Opening angle | A | B | C | D | E | F | G | H | I | |
|---------------|-------|------|----|------|------|-----|-------|-----|-------|--|
| | | | | | | | | | | |
| 80° | 138.5 | 32.6 | 45 | 57.4 | 94.1 | 101 | 107.9 | 195 | 134.8 | |
| 90° | 128.5 | 33.2 | | 56.8 | 83.1 | 91 | 98.9 | 185 | | |
| 100° | 121.5 | 33.9 | | 56.1 | 75.2 | 84 | 92.8 | 178 | | |

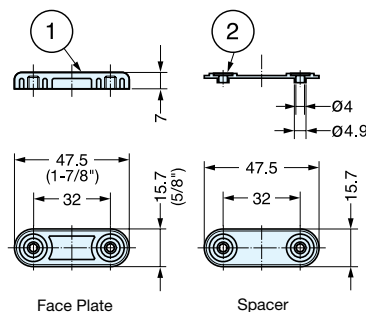
Single Knuckle Hinge/Inset Type

| Opening angle | A | B | C | D | E | F | G | H | I | |
|---------------|-------|------|----|------|------|------|------|-------|-------|--|
| | | | | | | | | | | |
| 80° | 129.0 | 31.7 | 45 | 58.3 | 86.7 | 91.5 | 96.3 | 185.5 | 134.8 | |
| 90° | 118.5 | 32.0 | | 58.0 | 75.3 | 81.0 | 86.7 | 175.0 | | |
| 100° | 111.0 | 32.5 | | 57.5 | 67.0 | 73.5 | 80.0 | 167.5 | | |

SDS FACE PLATE



SDS-50G



- Cover plate for glass/acrylic door applications.
- To be used with SDS or NSDX soft-down stays.

| No. | Part Name | Material | Finish/Color |
|-----|------------|------------|----------------------------|
| ① | Face Plate | Zinc Alloy | Chrome (CR) Black (BLK) |
| ② | Spacer | ABS | Black |

| Item No. | Weight (g) | Box | Carton |
|------------|------------|-----|--------|
| SDS-50G/BL | 25 | 100 | 400 |
| SDS-50G/CR | | | |