

## FLUQS® WALL SHELVING SYSTEM

BRACKETS &  
SHELVING SYSTEM

FLUQS® WALL SHELVING SYSTEM



# FLUQS®

## Exto Series

**FLUQS is a unique wall shelving system with an artistic touch and a contemporary look.**

The word FLUQS is from Latin "flatus" for wave, FLUQS frees you to arrange shelves in any pattern or configuration, how and when you please. The aluminium profile system is easy to install and adjust and visually coordinates well with gleaming aluminium, white or black finishes.

### Easily blends into any atmosphere.

- Fixing screws are invisible after installation.
- Shelves available in acrylic and aluminium plate.
- 2 types available: FLUQS 250/750 which can be used as wall panels and FLUQS 25/ ONE which has single hook base match with any wall design.

### Designed for safety and flexibility

- Easy installation - simply screw in place (base required).
- Accessories such as hooks and shelves fit firmly and stay put.



FLUQS® WALL SHELVING SYSTEM

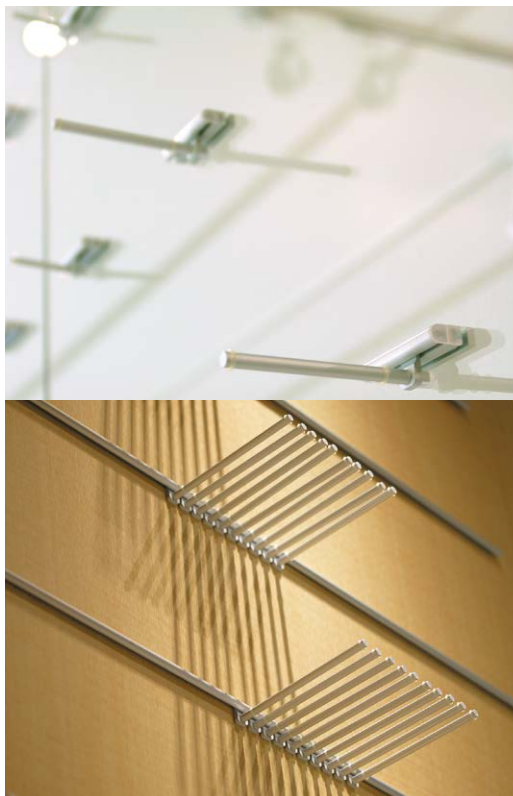
FLUQS® 25/ONE

BRACKETS & SHELVING SYSTEM

FLUQS® WALL SHELVING SYSTEM



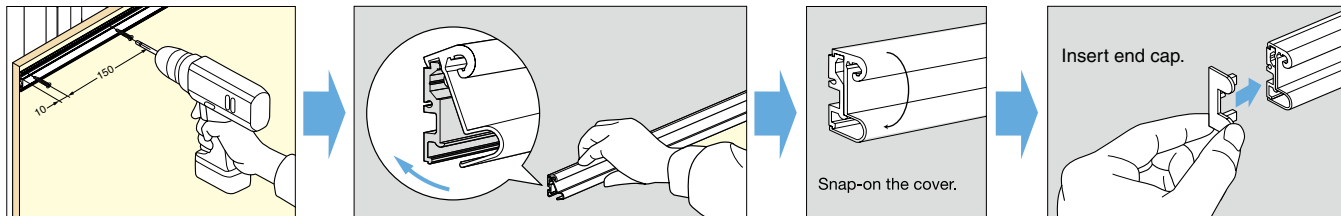
FLUQS 25



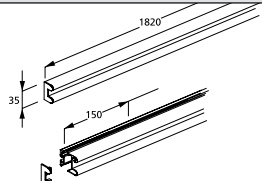
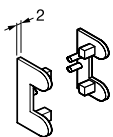
FLUQS ONE

FLUQS® 25

Installation



FLUQS® 25 Part Details

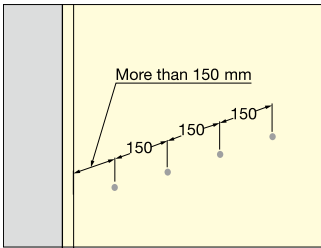
No.	Item Code	Item Name		Dimensions	Material/Finish	Length	Description
①	130-031-316	EX022-21	FLUQS 25		Aluminium / Anodized	1820 mm	<ul style="list-style-type: none"> <li>• Single Aluminium Profile.</li> <li>• Easy installation type</li> <li>• End Cap 2 pcs included.</li> <li>• Screw hole pitch 150 mm</li> </ul>
②	130-031-889	EX025-31	End Cap for FLUQS 25		ABS / Grey	-	<ul style="list-style-type: none"> <li>• Non-handed (2 pcs included).</li> </ul>

Please see P.222 for accessories.

# FLUQS® ONE

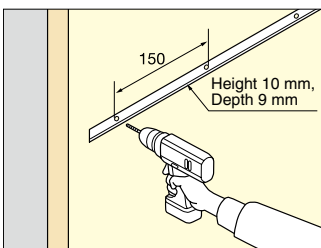
## Installation

### Surface Mount (Wood/Acrylic)

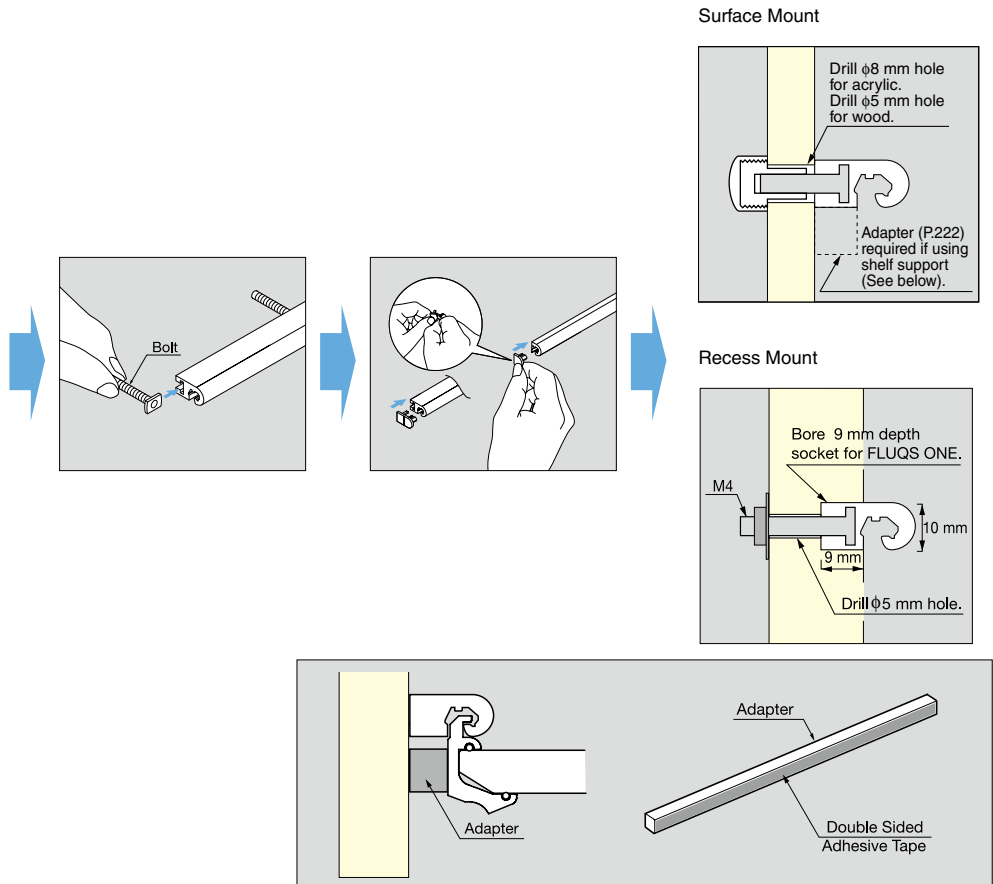


\*Thickness:  
Acrylic 10 mm, wood 20 mm  
\*Can not be used with hook.

### Recess Mount (Wood)



\*Thickness:  
Wood 24 mm



## FLUQS® ONE Part Details

No.	Item Code	Item Name	Dimensions	Material/Finish	Length	Description
①	130-031-312	EX012-21		Aluminium / Anodized	50 mm	<ul style="list-style-type: none"> <li>Single Aluminium Profile</li> <li>Simple and flexible layout design</li> <li>End Cap 2 pcs included</li> <li>For Recess Mount, cut the End Cap at the cut line and use the *1 shape part.</li> </ul>
	130-031-311	EX010-21			1820 mm	<ul style="list-style-type: none"> <li>* Access behind the wall/panel is required to install.</li> </ul>
②	130-031-313	EX018-45		Polypropylene / Plain	-	<ul style="list-style-type: none"> <li>For Recess Mount, cut the End Cap at the cut line and use the *2 shape part. (2 pcs included)</li> </ul>
③	130-031-314	EX019-25		Steel / Chromate	-	<ul style="list-style-type: none"> <li>Fastener to attach FLUQS ONE to Wood Panel (surface mount: Max. 20 mm / recessed mount: Max. 24 mm thick)</li> </ul>
④	130-031-315	EX020-20		Steel / Silver	-	<ul style="list-style-type: none"> <li>Fastener to attach FLUQS ONE to Acrylic Panel (10 mm thick)</li> </ul>

Please see P.222 for accessories.

## ACCESSORIES

### Hook (For FLUQS 250/750/25/ONE Recess Mount)

No.	Item Code	Item Name		Dimensions	Material	Finish/Colour		Length	Load Capacity
①	130-031-321	EX030-20	Hook (φ3)		Steel	Chrome		15	1 kg
	130-031-323	EX031-20						30	
	130-031-325	EX032-20						55	
②	130-031-333	EX040-20	Hook (φ6)		Steel	Chrome		50	2 kg
	130-031-336	EX041-20						100	
	130-031-339	EX042-20						150	
③	130-031-342	EX046-20	Hook (φ9)		Steel	Chrome		100	3 kg
	130-031-345	EX047-20						150	
	130-031-348	EX048-20						200	

\*Can not be used with surface mount FLUQS ONE.

### Shelf (For FLUQS 250/750/25/ONE)

No.	Item Code	Item Name		Dimensions	Material	Finish/Colour	W	D	t	Description						
①	130-031-369	EX201-41	Acrylic Shelf Set		Aluminium (Bracket)	Anodized (Bracket)	300	150	10	Load Capacity: 2.4 kg						
	130-031-370	EX202-41									Acrylic (Shelf)	Light Green (Shelf)	450	200	250	Load Capacity: 3.6 kg
	130-031-371	EX203-41														
	130-031-373	EX206-41			600	200	250	Load Capacity: 4.8 kg								
	130-031-374	EX207-41							600	200	250	Load Capacity: 4.8 kg				
	130-031-375	EX208-41			600	200	250	Load Capacity: 4.8 kg								
	130-031-377	EX211-41							600	200	250	Load Capacity: 4.8 kg				
	130-031-378	EX212-41			600	200	250	Load Capacity: 4.8 kg								
	130-031-379	EX213-41							600	200	250	Load Capacity: 4.8 kg				
②	130-031-372	EX204-41	Adapter		Acrylic	-	300	-					-	For Shelf Holder when used with FLUQS ONE surface mount profile and bracket. (with double sided adhesive tape)		
	130-031-376	EX209-41							450							
	130-031-380	EX214-41							600							
③	130-031-318	EX026-21	Shelf Holder		Aluminium	Anodized	1820	10	9	*For 10 mm glass *Maximum shelf depth: 250 mm *For permanent installation, apply caulk to bracket and glass/acrylic *1 rubber strip (clear, 1820 mm) included *Glass not included, chamfer required as shown Load Capacity: 14.4 kg						
④	130-031-319	EX027-21	Shelf Holder		Aluminium	Anodized	1820	-	-	*For 10 mm glass *Maximum shelf depth: 450 mm *For permanent installation, apply caulk to bracket and glass/acrylic *1 clear rubber strip (1820 mm) included *Glass not included, chamfer required as shown Load Capacity: 30 kg						
⑤	130-031-368	EX090-21	Mini Hook		Aluminium	Anodized	10	-	-	Load Capacity: 3 kg						