

# SHELF STANDARD



# SPW-1820



### Features

- Visually appealing design with installation holes not visible from the front.
- Cover (sold separately) hides installation screws
- Height markers are placed at every 20mm for use as guides.
- This makes height adjustment very easy.

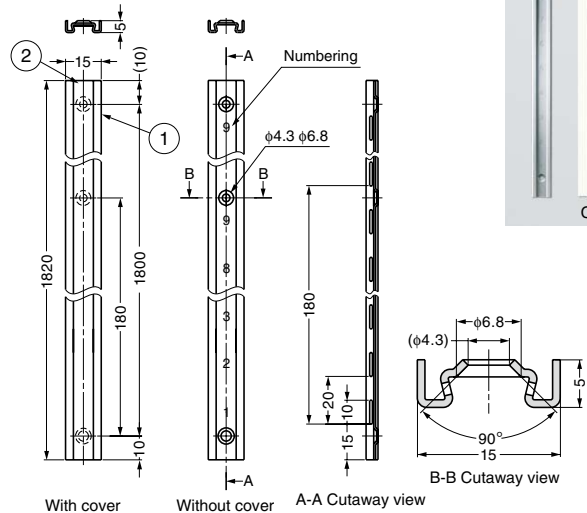
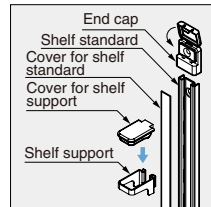
### Sold Separately

- Cover
- Shelf support SPW-20 (below)
- End cap SPW-EC20 (below)
- End cap SP-18E (P.171)

### Recommended Screws

Countersunk tapping screw 3

### Installation



No.	Part Name	Material	Finish/Colour
①	Shelf Standard	Stainless Steel (SUS430)	Satin
②	Cover	Rigid Polyvinyl Chloride	White, Brown

### Shelf Standard

Item Code	Item Name	Holes	Weight	Carton
120-017-699	SPW-1820	11	335 g	60 pcs

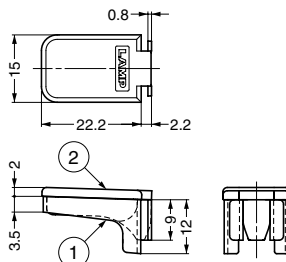
### Cover (Sold Separately)

Item Code	Item Name	Colour	Weight	Carton
120-017-817	SPW-CV1820-WT	White	8 g	1000 pcs
120-017-816	SPW-CV1820-BR	Brown	8 g	1000 pcs

# SHELF SUPPORT



# SPW-20



### Features

- For SPW-1820 shelf standard
- Covers with the same colour as SPW-1820 cover colours are available.
- Designed to hold items in place even if exposed to small vibrations.

No.	Part Name	Material	Finish/Colour
①	Shelf Support	Stainless Steel (SUS304)	Mirror
②	Cover	Elastomer (TPE)	White, Brown

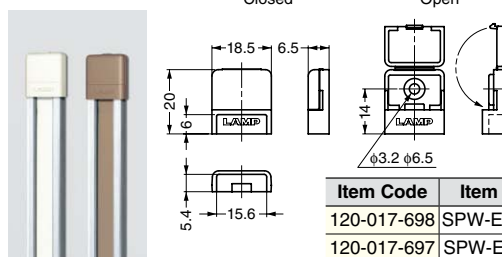
Item Code	Item Name	Colour	Load Capacity/4 pcs	Weight	Box	Carton
120-017-696	SPW-20-WT	White	785 N 80 kgf	4.5 g	200 pcs	2000 pcs
120-017-695	SPW-20-BR	Brown	785 N 80 kgf	4.5 g	200 pcs	2000 pcs

# END CAP

# SPW-EC20



### Installation



### Features

For SPW-1820 (above), SP, SPS (P.166), SM (P.169), SPH (P.170) shelf standards.

Item Code	Item Name	Material	Colour	Weight	Box	Carton
120-017-698	SPW-EC20-WT	Polypropylene (PP)	White	2 g	400 pcs	4000 pcs
120-017-697	SPW-EC20-BR	Polypropylene (PP)	Brown	2 g	400 pcs	4000 pcs

