

GLASS POINT FIXING



GPA-A1



Features

- Can be mounted to an arm to create a glass fence.
- 2 way adjustment function.

Remarks

Mounting tool required.

Sold Separately

Mounting tool: 19-0702-050-00

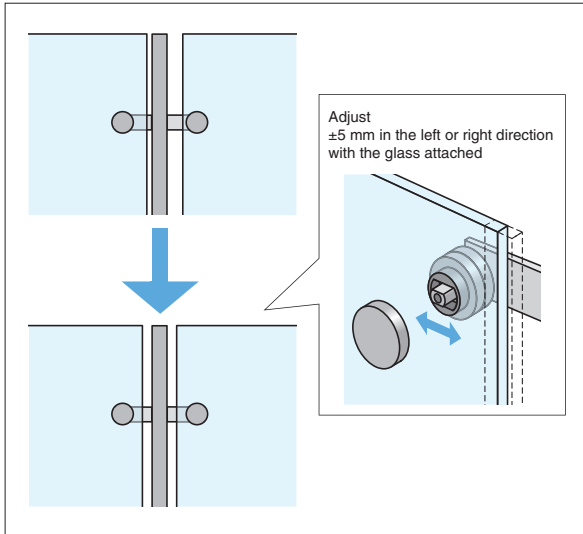
Video Link



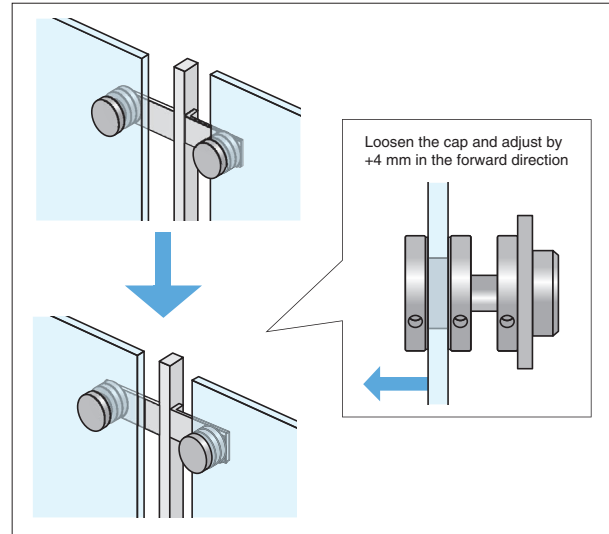
BRACKETS & SHELVING SYSTEM

GLASS POINT FIXING

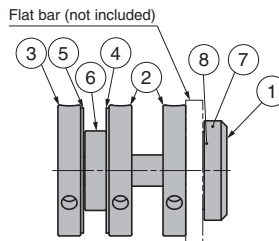
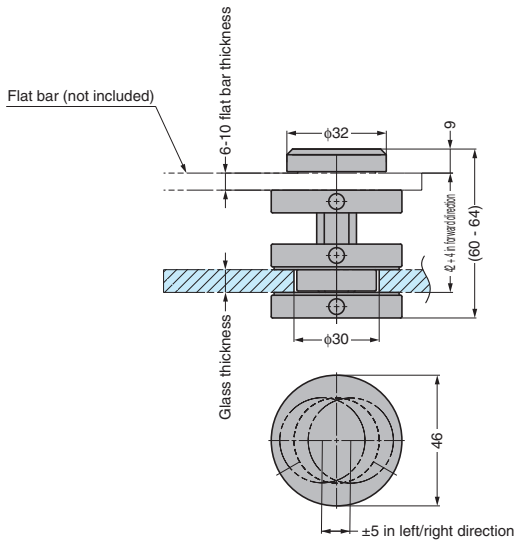
Extremely easy to adjust - the position can be adjusted with the glass attached



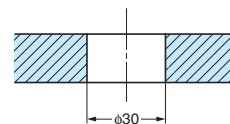
The fence can be moved left or right after attaching the glass.



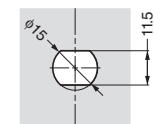
Variance in the fence can be adjusted after attaching the glass.



Cut Out Dimensions



Flat Bar Dimensions



No.	Part Name	Material	Finish/Colour
①	Shaft	Stainless Steel (SCS13)	As Below
②	Nut	Stainless Steel (SUS304)	
③	Cap		
④	Seal A		
⑤	Seal B	Chloroprene Rubber (CR)	Black
⑥	Left/right Adjustable Bushing	Polyacetal (POM)	Natural
⑦	M14 Spring Washer	Stainless Steel	-
⑧	Plain Washer Nominal 14		



Mounting Tool (Sold Separately)

CAD	Item Code	Item Name
-	270-021-337	19-0702-050-00

RoHS	CAD	Item Code	Item Name	Finish	Glass Thickness	Load Capacity N*	Load Capacity kgf*	Weight (g)	Box (pcs)	Carton (pcs)
-	2c3d	120-042-223	GPA-A1-SM	Polished	8 - 13.5	700	71	390	1	24
-	2c3d	120-047-202	GPA-A1-SS	Satin	8 - 13.5	700	71	390	1	24

*Using 4 pcs when installed vertically

