

**GLASS POINT FIXING** Front-mount / Single Arm



**GPA-F1**



**Features**

- Glass fence can be created by fixing the glass plates between posts.
- Adjustable after mounting the glass plates.
- Non-handed

**Parts Included**

Safety Pin

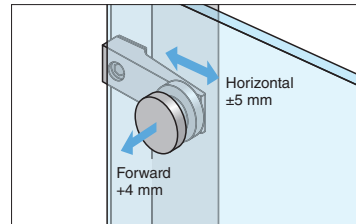
**Sold Separately**

Mounting Tool 19-0702-050-00

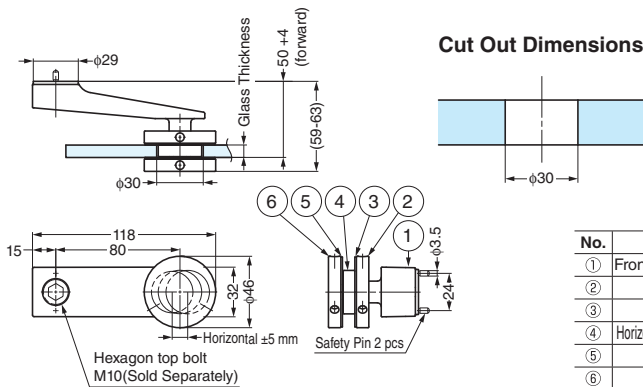
**Recommended Screw**

Hexagon top bolt (Stainless Steel) M10

**Adjustment Range**



[Video Link](#)



No.	Part Name	Material	Finish / Colour
①	Front-mounting arm	Stainless Steel (SCS13)	As Below
②	Nut	Stainless Steel (SUS304)	As Below
③	Gasket A	Chloroprene rubber (CR)	Black
④	Horizontal adjustment bush	Polyacetal (POM)	Natural
⑤	Gasket B	Chloroprene rubber (CR)	Black
⑥	Cap	Stainless Steel (SUS304)	As Below

**Mounting Tool (Sold Separately)**

CAD	Item Code	Item Name
-	270-021-337	19-0702-050-00

RoHS	CAD	Item Code	Item Name	Finish	Glass Thickness	Load Capacity N*	Load Capacity kgf*	Weight (g)	Box (pcs)	Carton (pcs)
-	2C3D	120-036-906	GPA-F1-SM	Polished	8-13.5	350	36	550	1	16
-	2C3D	120-047-199	GPA-F1-SS	Satin	8-13.5	350	36	550	1	16

\*Using 4 pcs when installed vertically

**GLASS POINT FIXING** Side-mount / Single Arm



**GPA-S1**



**Features**

- Glass fence can be created by fixing the glass plates between posts.
- Adjustable after mounting the glass plates.
- Non-handed

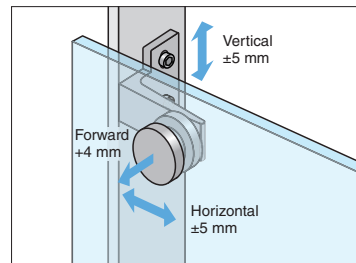
**Sold Separately**

Mounting Tool 19-0702-050-00

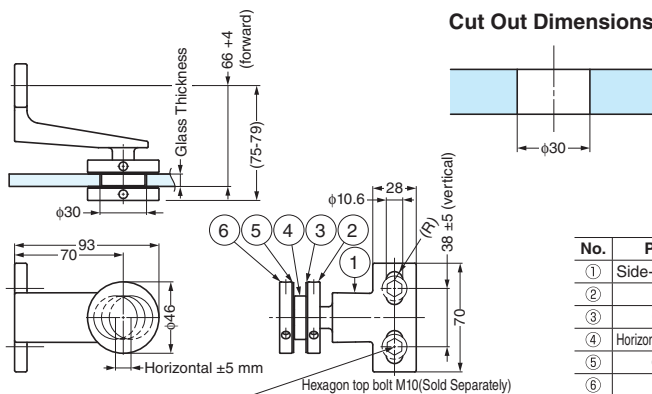
**Recommended Screw**

- Hexagon top bolt (Stainless Steel) M10
- Flat Washer φ10

**Adjustment Range**



[Video Link](#)



No.	Part Name	Material	Finish / Colour
①	Side-mounting arm	Stainless Steel (SCS13)	As Below
②	Nut	Stainless Steel (SUS304)	As Below
③	Gasket A	Chloroprene rubber (CR)	Black
④	Horizontal adjustment bush	Polyacetal (POM)	Natural
⑤	Gasket B	Chloroprene rubber (CR)	Black
⑥	Cap	Stainless Steel (SUS304)	As Below

**Mounting Tool (Sold Separately)**

CAD	Item Code	Item Name
-	270-021-337	19-0702-050-00

RoHS	CAD	Item Code	Item Name	Finish	Glass Thickness	Load Capacity N*	Load Capacity kgf*	Weight (g)	Box (pcs)	Carton (pcs)
-	2C3D	120-036-908	GPA-S1-SM	Polished	8-13.5	700	71	580	1	16
-	2C3D	120-047-201	GPA-S1-SS	Satin	8-13.5	700	71	580	1	16

\*Using 4 pcs when installed vertically