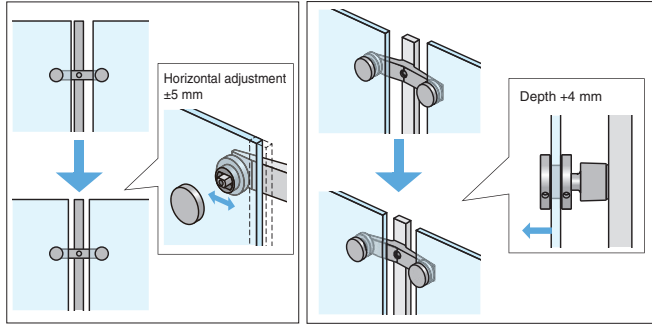


# ARM TYPE SERIES

## Features

- Glass fence can be created by fixing the glass plates between posts.
- Two types available: Front-mounting arm type and Side-mounting arm type.

### Easy Installation: adjustable after mounting the glass plates.

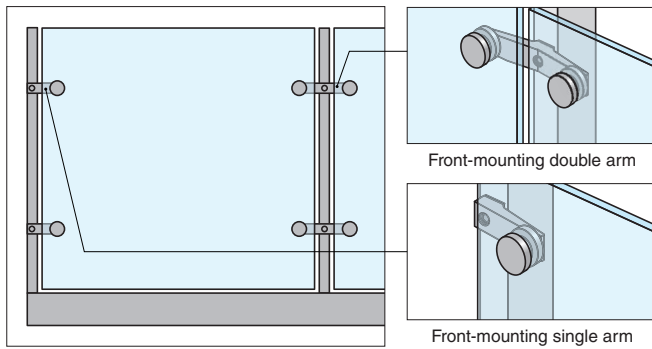


Adjustable after mounting the glass plates.

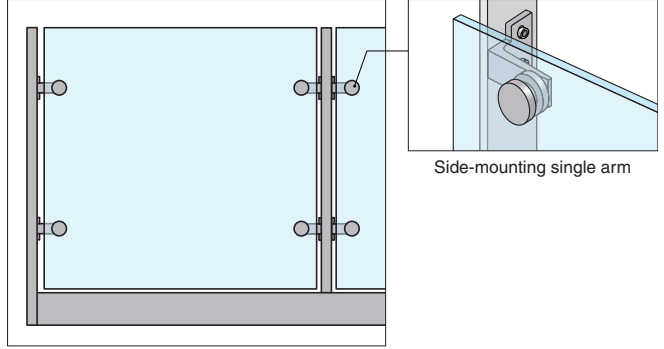
### Smart design from every angle.



### Front-mounting arm type



### Side-mounting arm type



# GLASS POINT FIXING Front-mount / Double Arms



## Features

- Glass fence can be created by fixing the glass plates between posts.
- Adjustable after mounting the glass plates.

## Parts Included

Safety Pin

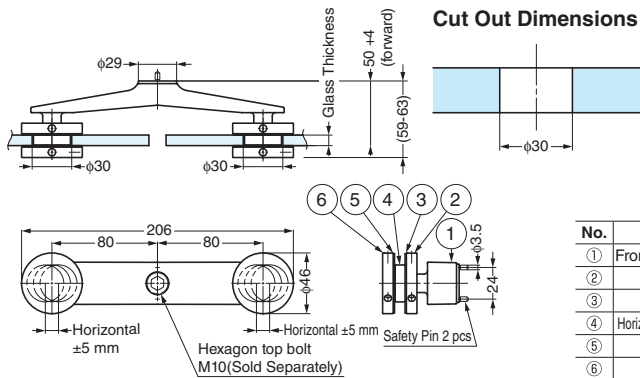
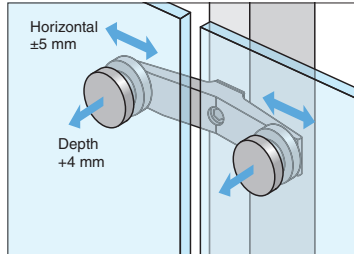
## Sold Separately

Mounting Tool 19-0702-050-00

## Recommended Screw

Hexagon top bolt (Stainless Steel) M10

## Adjustment Range



No.	Part Name	Material	Finish / Colour
①	Front-mounting arm	Stainless Steel (SCS13)	As Below
②	Nut	Stainless Steel (SUS304)	Mirror
③	Gasket A	Chloroprene rubber (CR)	Black
④	Horizontal adjustment bush	Polyacetal (POM)	Natural
⑤	Gasket B	Chloroprene rubber (CR)	Black
⑥	Cap	Stainless Steel (SUS304)	As Below

## Mounting Tool (Sold Separately)

CAD	Item Code	Item Name
-	270-021-337	19-0702-050-00

RoHS	CAD	Item Code	Item Name	Finish	Glass Thickness	Load Capacity N*	Load Capacity kgf*	Weight (g)	Box (pcs)	Carton (pcs)
-	2020	120-036-907	GPA-F2-SM	Polished	8 - 13.5	350	36	1000	1	10
-	2020	120-047-200	GPA-F2-SS	Satin	8 - 13.5	350	36	1000	1	10

\*Using 4 pcs when installed vertically