

# RATCHET HINGE WITH FRICTION

# HG-RCT12-C

HINGES

RATCHET HINGE WITH FRICTION



### Features

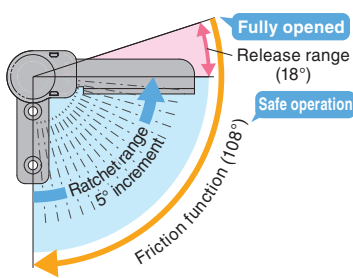
- Ratchet mechanism holds at angles in 5° increment from closed to opened position.
- Lift up to the fully open position to release the ratchet mechanism.
- The friction (resistance) function works even when released for safe operation.

### Applications

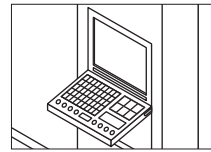
For angle adjustment of folding table, touch panel, keyboard, etc.

### Remarks

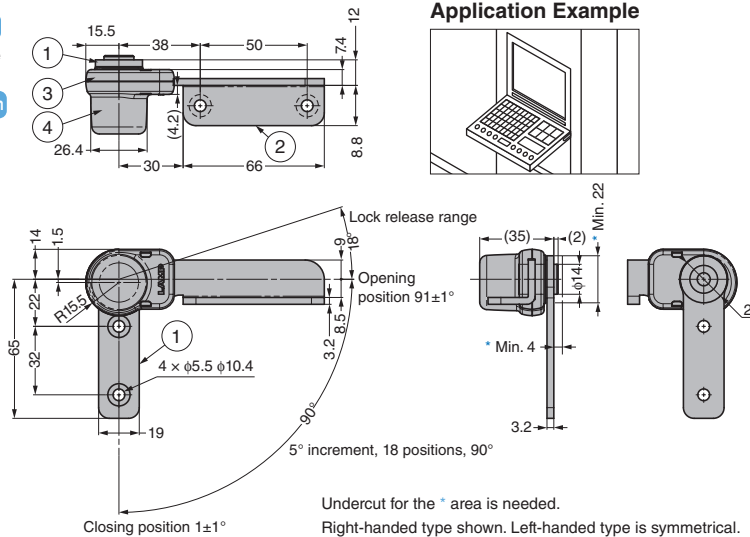
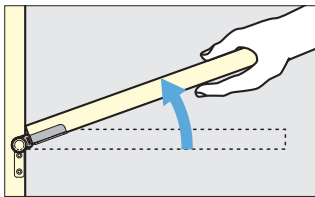
- Ratchet mechanism holds at angles in 5° increments from closed to the 90° position.
- Lift up to the fully open position to release the ratchet mechanism.
- The friction (resistance) function works even when the ratchet mechanism is released, for safe operation.



### Application Example



### Lock Release



Undercut for the \* area is needed.  
Right-handed type shown. Left-handed type is symmetrical.

No.	Part Name	Material	Finish
①	Bracket	Steel (SPCC)	Nickel
②	Arm (Right-handed)		
③	Cover (Right-handed)	PC	Light Gray
④	Cover (Right-handed)		

CAD	Item Code	Item Name	Allowable Moment N-m/pair	Allowable Moment kgf-cm/pair	Weight (g)	Box (pairs)	Carton (pairs)
2D/3D	170-036-333	HG-RCT12-C	40	408	350	8	32