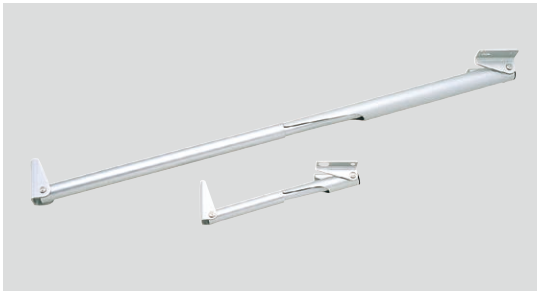
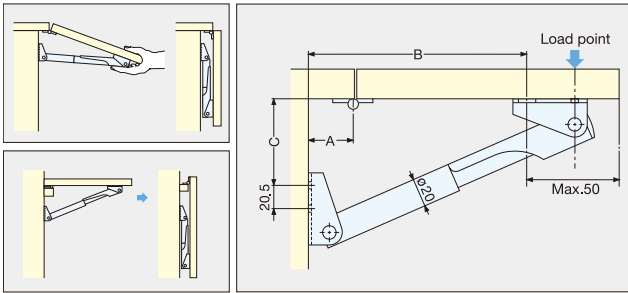


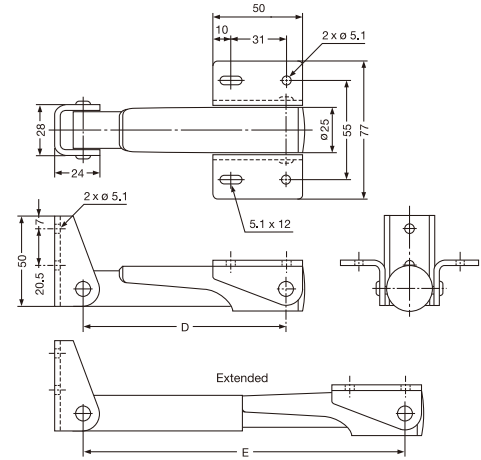
## FOLDING BRACKET 388

LOAD  
CAPACITY 35~80 kgf

- Automatically locks when flap is in opened position.
- Press lever to release the lock.
- For panel thickness 15~35mm
- Required Quantity:
  - Width up to 600mm...1pc
  - Width 600~1300mm...2pcs



Installation example for 38820-25



RoHS	CAD	Item Code	Item Name	Material	Finish	A	B	C	D	E	Load Capacity N	Load Capacity kgf	Weight (g)	Box (pcs)	Carton (pcs)
✓	SD	120-105-060	38820-25	Aluminium	Anodised	25~30	161	15	114	180	343	35	149	5	50
✓	SD	120-105-061	38830-25	Aluminium	Anodised	25~39	252	45	168	275.9	539	55	187	5	50
✓	SD	120-105-062	38845-25	Aluminium	Anodised	25~50	402	87	258.5	430.8	588	60	266	5	30
✓	SD	120-105-063	38860-25	Aluminium	Anodised	25~40	549	137	368.5	585.8	784	80	342	5	30

## FOLDING BRACKET BOS-180, BOS-240

TEST  
METHOD 6 SUS

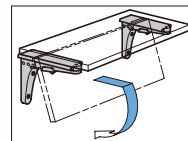
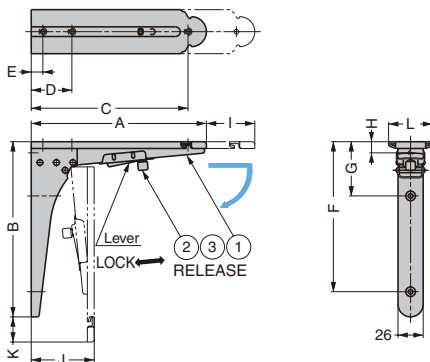
- With locking lever to prevent unexpected folding.

## [Remarks]

- Please hold the shelf board when folding. Improper use or applying load to it may cause accidental injury or damage.

## [Parts Included]

- BOS-180
  - Countersunk head tapping screw 4×20 (SUS)
  - Pan head tapping screw 4.5×25 (SUS)
  - Raised countersunk head tapping screw 4.5×25 (SUS)
  - Raised countersunk head tapping screw 4.5×50 (SUS)
- BOS-240
  - Countersunk head tapping screw 4×20 (SUS)
  - Pan head tapping screw 5×30 (SUS)
  - Raised countersunk head tapping screw 5×30 (SUS)
  - Raised countersunk head tapping screw 5×70 (SUS)



No.	Part Name	Material	Finish / Colour
①	Body	Stainless Steel (SUS304)	Satin
②	Lever	Brass	Nickel
③	Cover	EPDM	Black

RoHS	CAD	Item Code	Item Name	A	B	C	D	E	F	G	H	I	J	K	L	Load Capacity N/pc	Load Capacity kgf/pc	Weight (g)	Box (pcs)	Carton (pcs)
✓	SD	120-030-111	BOS-180	181	181	162	42	12	155	56	11.5	50	65	26	45.5	392	40	476	1	20
✓	SD	120-030-090	BOS-240	240	250	215	80	25	220	70	15	64	81	29	325	33	770	1	20	