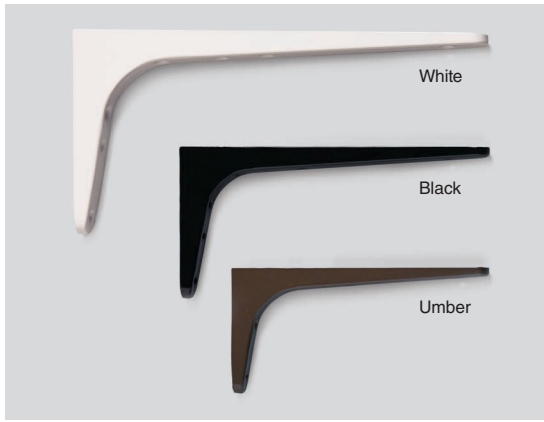


BRACKET BTK-UB Compact Type

TEST METHOD 6



- Height is less than half of that of bracket BTK 1. Compact design with short wall mount surface.
- Maximises space under the top board.
- Strong and safe design.
- With reinforcement rubber to prevent from sinking into the wall of plasterboard.
- Perfectly fits at the corner.

[Remarks]

- To prevent inclination due to the load when using as a shelf bracket, the opening angle is slightly more than 90°. Please check with actual item.

[Parts Included]

- Raised countersunk head wood screw

RECESSED HOOKS

LATCH HOOKS

SWING HOOKS

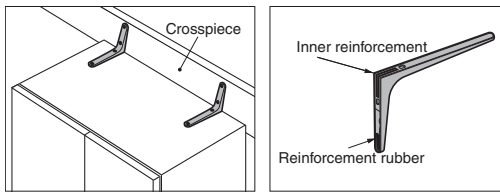
SMALL HOOKS

LARGE HOOKS

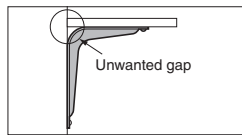
PANEL HANGER

BRACKETS & SHELVING SYSTEMS

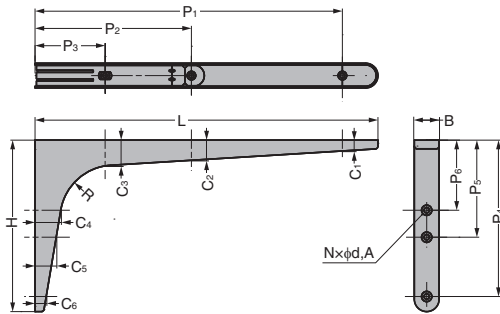
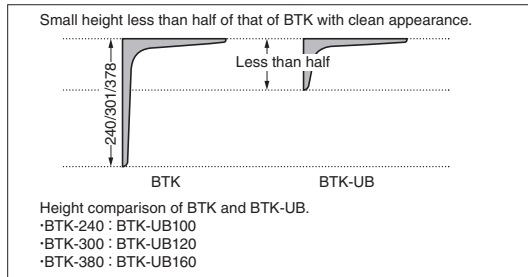
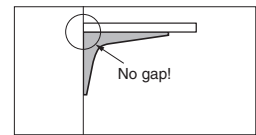
[For Fall Prevention]



Conventional bracket



BTK-UB



Part Name	Material	Finish / Colour	Countersunk Head Wood Screw (Head Only)
BTK-UB (White)	Steel	White Powder Coating	White Enamel Finish
BTK-UB (Black)		Black Powder Coating	Black Enamel Finish
BTK-UB (Umber)		Umber Enamel Finish	
Reinforcement Rubber	Rubber (EPM)		-

[Body]

RoHS	CAD	Item Code	Item Name	Colour	H	L	B	P ₁	P ₂	P ₃	P ₄	P ₅	P ₆	Load Capacity N/pc	Load Capacity kgf/pc	Weight (g)	Box (pcs)	Carton (pcs)
-	3D	120-033-596	BTK-UB100W	White	99.5	199	18	176	91	45	85	45	-	1176	12	171	10	-
-	3D	120-033-597	BTK-UB100B	Black													10	-
-	3D	120-033-598	BTK-UB100UM	Umber													10	-
-	3D	120-033-599	BTK-UB120W	White	119.5	238.5	20	206.5	92.5	105.5	71.5	45	196	20	232	382	10	-
-	3D	120-033-600	BTK-UB120B	Black													10	-
-	3D	120-033-601	BTK-UB120UM	Umber													10	-
-	3D	120-033-602	BTK-UB160W	White	159	318	23	285	145	65	145	91	65	245	25	382	10	-
-	3D	120-033-603	BTK-UB160B	Black													10	-
-	3D	120-033-604	BTK-UB160UM	Umber													10	-

Item Name	d	Holes N	Weight (g)	A	C ₁	C ₂	C ₃	C ₄	C ₅	C ₆	R	Screw (Countersunk Head Wood Screw)
BTK-UB100	4	5	170	8	(7)	(14)	(19)	(12)	-	(10)	(35)	3.5×16 (1 pc) 3.5×25 (1 pc) 3.8×32 (2 pcs) 3.8×38 (1 pc)
		4	230		(8)	(16)	(21)	(21.5)	(18)			3.5×16 (1 pc) 3.5×25 (1 pc) 3.5×32 (2 pcs) 3.5×38 (1 pc) 3.5×45 (1 pc)
BTK-UB160	5	6	380	10	(9)	(19.5)	(24.5)	(25)	(22)	(52)	(52)	3.5×20 (1 pc) 3.8×32 (1 pc) 3.8×38 (1 pc) 4.5×25 (1 pc) 4.5×45 (2 pcs)

Refer to 1 : P.570