

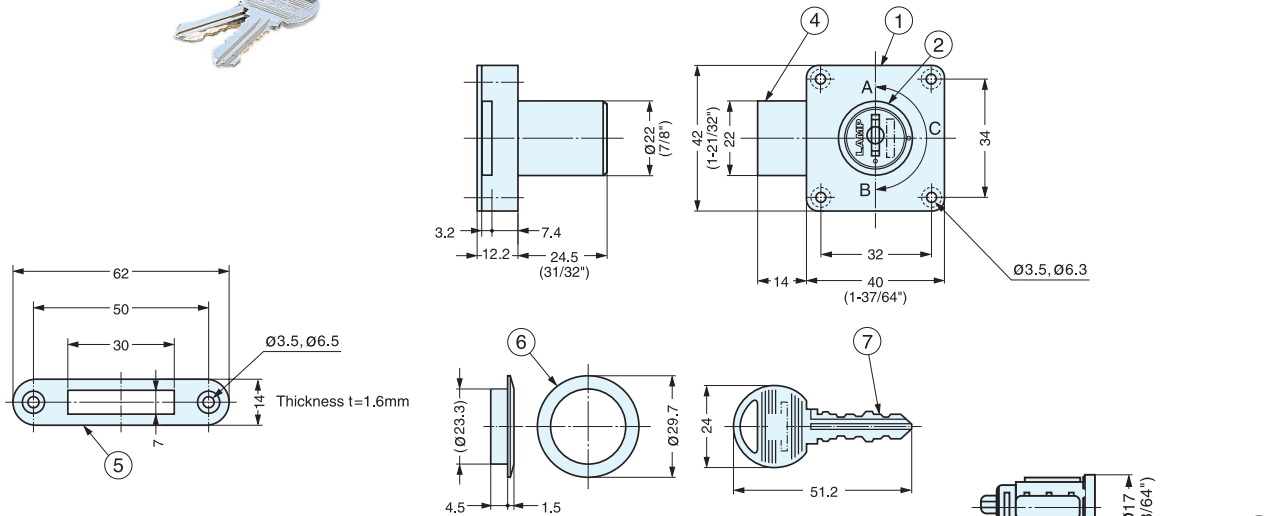
# CABINET LOCK



# 5830-24MK

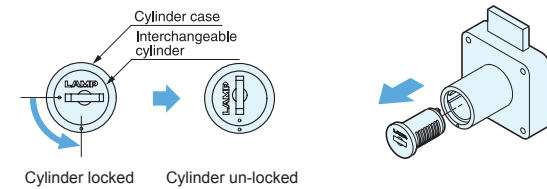


- Interchangeable Cylinder Lock.
- Inner cylinder can be replaced, ideal for applications where keys are often lost, and key numbers need to be changed for security.
- Long dead bolt.
- Lock housing, cylinder and 2 keys supplied per set.
- Cylinder housing Diameter: 22 mm (7/8")
- Maximum 3,120 key changes available. (780 per master key.)
- Master Key, Cylinder Change Key and Cylinder for replacement sold separately.  
 Master Key - 5830-MK1  
 Cylinder Change Key - 5830-K1  
 Replacement Cylinder - 5830-N1



### To remove the cylinder:

Turn cylinder by using cylinder change key (optional).  
 Match dots on cylinder and case.  
 Pull key to detach.

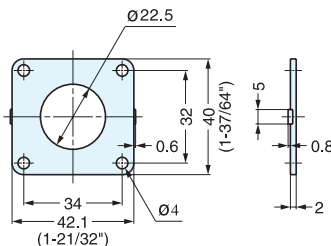
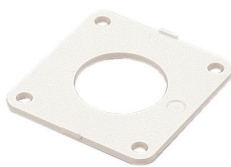


No.	Part Name	Material	Finish
①	Body	Zinc Alloy	Nickel
②	Cylinder Housing	Steel	
③	Interchangeable Cylinder	Zinc Alloy	
④	Dead Bolt	Steel	
⑤	Counterplate		
⑥	Ring	Brass	
⑦	Key		

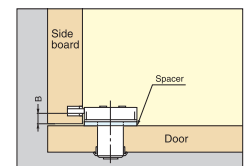
Item No.	Door Thickness	Weight (g)	Box (pcs)	Carton (pcs)
5830-24MK	24 (15/16")	155	12	60

# SPACER

# 5830-SP



- Spacer for 5830-24MK.
- Use when additional distance on dimension B required.
- Thickness: 2 mm (5/64")
- Multiple spacers can be used if needed.



Item No.	Weight (g)	Box (pcs)	Carton (pcs)	Material	Color
5830-SP	14	25	250	ABS	White