

CABINET LOCK



2650



Features

- For drawers and cabinet door application.
- 2650-16 : 48 key changes / 2650-22, 2650-30 : 120 key changes.
- 48 key numbers can be shared with the whole 2650 Lock Series.
- Gold finish is available at surcharge.

Parts Included

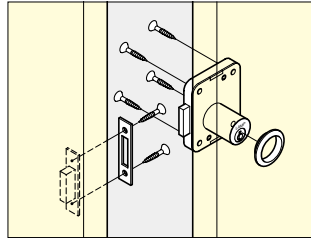
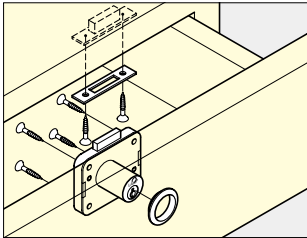
Countersunk head wood screw 3.1 x 20, 2.1 x 10

Optional Parts

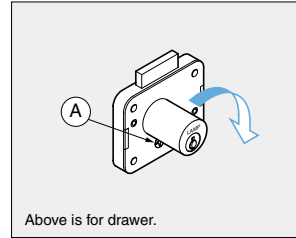
Spacer TSSP (P.324)



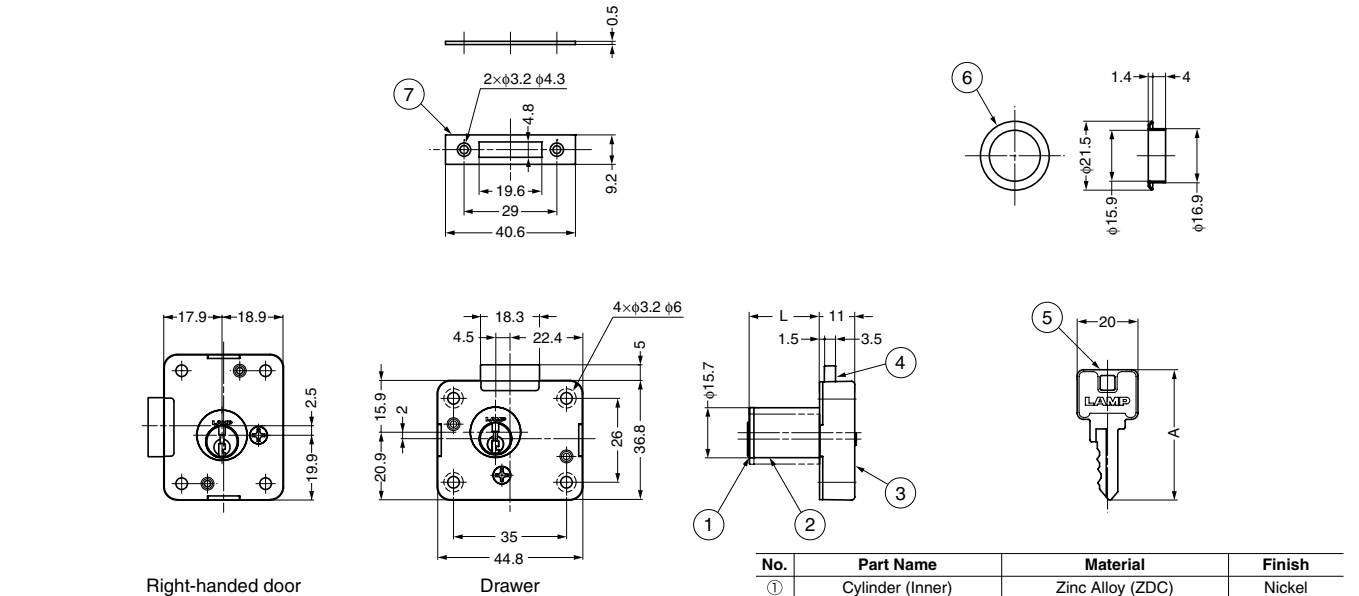
Installation



How to Switch: for Drawer/Right-handed Door Application



- ① Remove the screw (A).
- ② Turn the lock cylinder 90° (clockwise for door application).
- ③ Fix the screw in (B).
- ④ The logo "LAMP" is to be forwarded upside.



No.	Part Name	Material	Finish
①	Cylinder (Inner)	Zinc Alloy (ZDC)	Nickel
②	Cylinder (Outer)	Brass	Nickel
③	Body	Zinc Alloy (ZDC)	Nickel
④	Dead Bolt	Zinc Alloy (ZDC)	Nickel
⑤	Key	Brass	Nickel
⑥	Ring	Brass	Nickel
⑦	Strike	Brass	Plain

Item Code	Item Name	Key Type	Cylinder Diameter	Sheet Metal Thickness	L	A	Weight	Box	Carton
150-022-061	2650-16-DN-B	Key Different	φ15.7	16	16	38	81.5 g	12 pcs	120 pcs
150-001-218	2650-16-DN-D	Key Alike	φ15.7	16	16	38	81.5 g	12 pcs	120 pcs
150-022-064	2650-22-DN-B	Key Different	φ15.7	22	22	42	89.5 g	12 pcs	120 pcs
150-001-219	2650-22-DN-D	Key Alike	φ15.7	22	22	42	89.5 g	12 pcs	120 pcs
150-022-067	2650-30-DN-B	Key Different	φ15.7	30	30	42	98 g	12 pcs	120 pcs
150-001-220	2650-30-DN-D	Key Alike	φ15.7	30	30	42	98 g	12 pcs	120 pcs