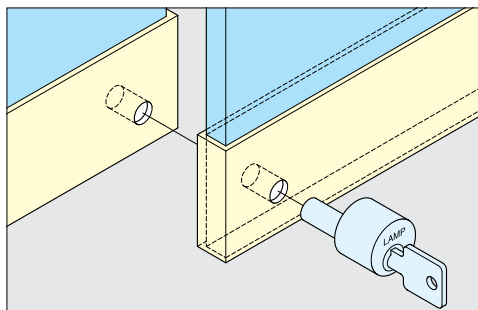
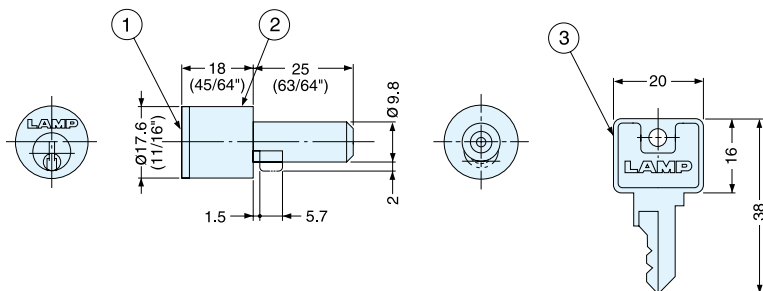


PUSH LOCK

6300



- Zinc alloy cylinder push lock for metal-framed glass doors.
- Easy installation. 10 mm hole required on door.
- Cylinder Diameter: 17.6 mm (11/16")
- Bolt Length: 25 mm (63/64")
- Bolt Diameter: 9.8 mm (25/64")
- 96 key changes available. Please specify keyed alike or keyed differently when ordering.
- Master key NOT available.
- For material thickness is 1.2 mm.



No.	Part Name	Material	Finish
①	Body	Zinc Alloy	Satin Nickel
②	Cover	Brass	Nickel
③	Key		

Item No.	Metal Frame Thickness	Cylinder Diameter	Key Changes	Keys Included	Weight (g)	Box (pcs)	Carton (pcs)
6300	19 (3/4")	17.6 (11/16")	96	2	50	24	240

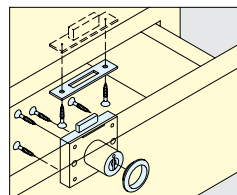
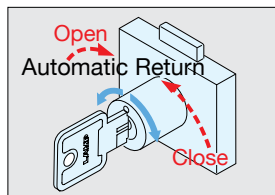
CABINET LOCK (W/INDICATOR)



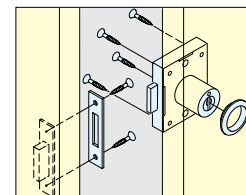
2200QL



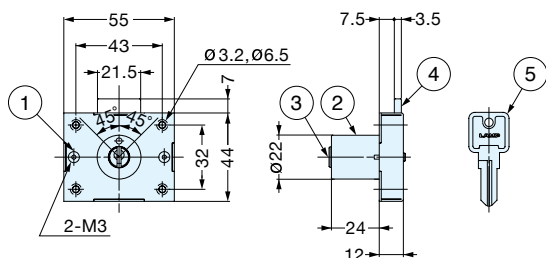
- Only 1/8 turn is needed to unlock/lock the door.
- Key automatically returns to original position making it easy to remove the key.
- With indicator.
- 300 key changes available. Please specify keyed alike or keyed differently when ordering.
- Master key type available at surcharge (Maximum 170 key changes per master key)



Installation for drawer



Installation for right - hand door



Item No.	Door Thickness	Weight (g)	Box (pcs)	Carton (pcs)
2200QL-24	24 (15/16")	208	12	60

No.	Part Name	Material	Finish
①	Body	304 Stainless Steel	Plain
②	Cylinder (Outer)	Brass	Satin Nickel
③	Cylinder (Inner)		
④	Dead Bolt	Zinc Alloy	Nickel
⑤	Key	Brass	