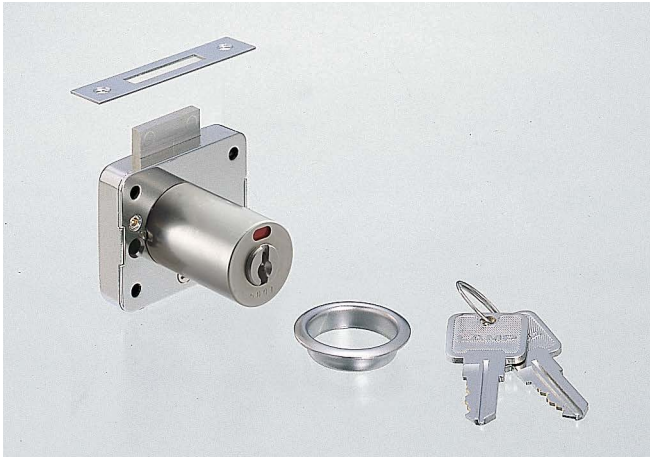


CABINET LOCK WITH INDICATOR 2200 Lock Series



2200



Features

- For drawer and cabinet door application.
- With indicator: Unlocked - Blue, Locked - Red.
- 12 key changes available. (Max. 300 key changes as special order)
- Master Key system (170 key changes) available at surcharge. (1 Master Key only.)
- Keys can be shared with other 2200 Lock Series.

Parts Included

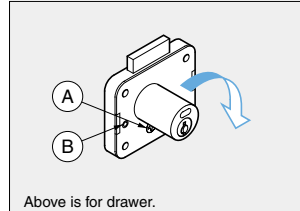
Countersunk head wood screw 3.1 × 20, 2.1 × 10 (SUS)

Optional Parts

Spacer TSSP (P.324)



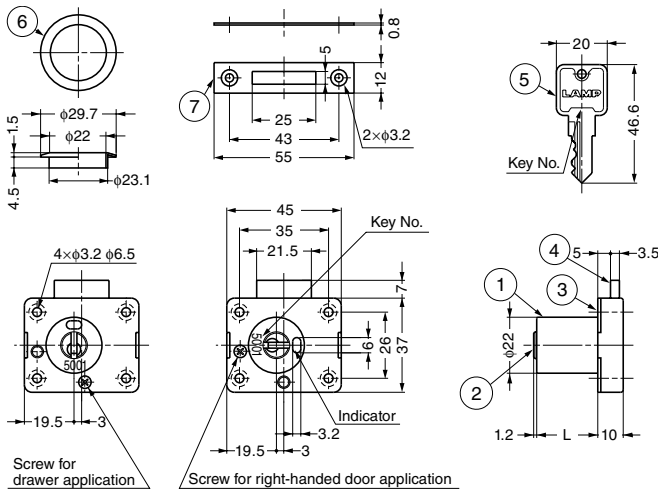
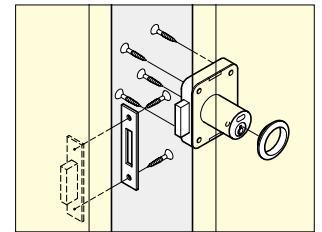
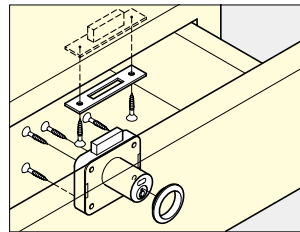
How to Switch: for Drawer/Right-handed Door Application



Above is for drawer.

- ① Remove screw (A).
- ② Turn the lock cylinder 90° (clockwise for door application).
- ③ Fix the screw in (B).
- ④ Indicator is to be forwarded upside.

Installation



LOCKS

CABINET LOCK WITH INDICATOR

No.	Part Name	Material	Finish
①	Cylinder (Outer)	Zinc Alloy (ZDC)	Satin Nickel
②	Cylinder (Inner)	Zinc Alloy (ZDC)	Satin Nickel
③	Body	Brass	Nickel
④	Dead Bolt	Brass	Nickel
⑤	Key	Brass	Nickel
⑥	Ring	Brass	Satin Nickel
⑦	Strike	Stainless Steel (SUS304)	Plain

Item Code	Item Name	Key Type	Cylinder Diameter	Door Thickness	L	Weight	Box	Carton
150-060-413	2200-24-B	Key Different	φ22	24	24	115 g	12 pcs	120 pcs
150-060-412	2200-24-D	Key Alike	φ22	24	24	115 g	12 pcs	120 pcs
150-060-415	2200-30-B	Key Different	φ22	30	30	141 g	12 pcs	120 pcs
150-060-414	2200-30-D	Key Alike	φ22	30	30	141 g	12 pcs	120 pcs

Please contact us for this item with Master Key system.

