

MILLION LOCK CYLINDER GLASS LOCK (MILLION LOCK SERIES) **TEMPERED GLASS** 1310GL-SQ



Use	Installation Surface	Key Changes	Master Key	Unlocking	Compatible Locks
Single door	Glass	Maximum 1 million key changes	Made to order*	Key not removable	Million Lock Series

\*Maximum 2,520 changes per master key (made to order)

**Features**

- Clean, squared-off design.
- Can be used with the square glass hinge for a unified design.
- Cylinder lock is ideal for display cases.
- Dimpled key design. Reversible key can be inserted and removed in any direction.
- Turn 90° clockwise to unlock (the lock plate also rotates 90°).

**Recommended Hinge**

- Use with the following products is recommended.
  - HES3D-90 3-Way Adjustable Concealed Hinge
  - HES3D-G90BKT Glass Door Bracket
  - GH-450 Glass Hinge
  - GH-450G Glass Hinge

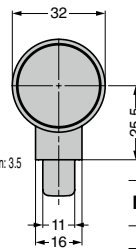
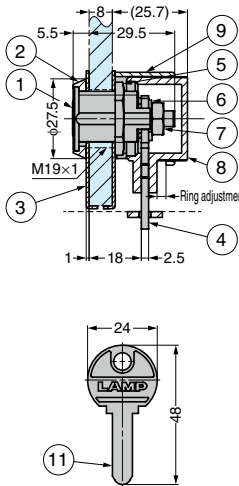
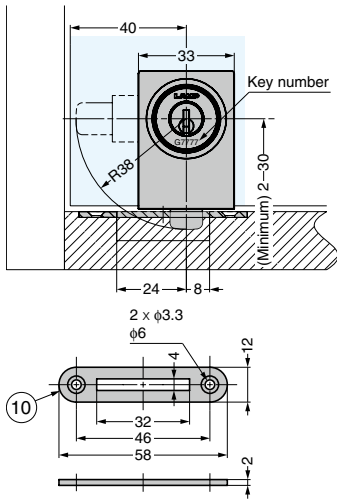
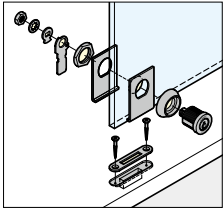
**Remarks**

- The direction of the lock plate cannot be changed.
- Handle the black type with care, as scratches will be noticeable.
- Read the remarks on handling the lock before use.

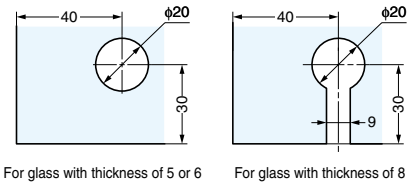
**Parts Included**

- Size 2.7 x 13 cross-recessed countersunk wooden screws (stainless steel)
- Key
- Strike

**Installation Specification Drawing**



**Glass Dimensions**



No.	Part Name	Material	Finish/Colour			
			SN	CR	GP	BL
①	Main Body	Free-Cut Brass	Satin	Chrome Plating	24K Gold Plating	Black
②	Square Decorative Ring		Nickel Plating			
③	Square Front Plate	Stainless Steel (SUS304)	Satin	Polished		
④	Lock Plate					
⑤	Hex Nut	Steel	Special Rustproof Coating/Silver			
⑥	Washer					
⑦	Hex Nut					
⑧	Cover	Polypropylene (PP)	Black			
⑨	Ring					
⑩	Strike	Stainless Steel (SUS304)	Polished		24K Gold Plating	
⑪	Key		Brass			Nickel Plating

CAD	Item Code	Item Name	Finish	Key Type	Compatible glass thickness (mm)	Insertion/Removal*	Rotation Angle	Weight (g)	Box (pcs)	Carton (pcs)
2020	150-042-262	1310GL-SQ-SN-B	Satin	Key Different	5 - 8	1 position	90°	147	12	60
2020	150-001-439	1310GL-SQ-SN-D	Nickel Plating	Key Alike					12	60
2020	150-042-111	1310GL-SQ-CR-B	Chrome Plating	Key Different					12	60
2020	150-001-362	1310GL-SQ-CR-D		Key Alike					12	60
2020	150-042-113	1310GL-SQ-GP-B	24K Gold Plating	Key Different					12	60
2020	150-001-363	1310GL-SQ-GP-D		Key Alike					12	60
2020	150-042-115	1310GL-SQ-BL-B	Black	Key Different					12	60
2020	150-001-364	1310GL-SQ-BL-D		Key Alike					12	60

\*The key is not released when unlocked, preventing doors left unlocked by accident

**Multiple cabinets can be locked and unlocked with the same key**

As shown in the figure, the same key can be used to lock and unlock multiple cabinets in the Million Lock Series if the same key number is specified.

**Doors supported by this product**

- Glass single doors

**Doors supported by other locks in the Million Lock Series**

- Wooden drawers
- Wooden single doors
- Wooden double doors
- Wooden sliding doors
- Glass single doors
- Glass double doors
- Sheet metal single doors
- Sheet metal sliding doors