

**GLASS DOOR CAM LOCK** Million Lock Series



**1310GLW**

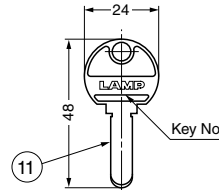
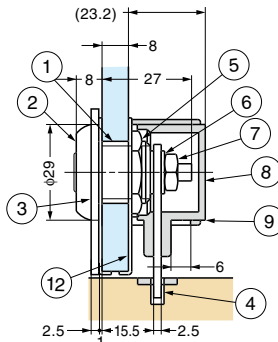
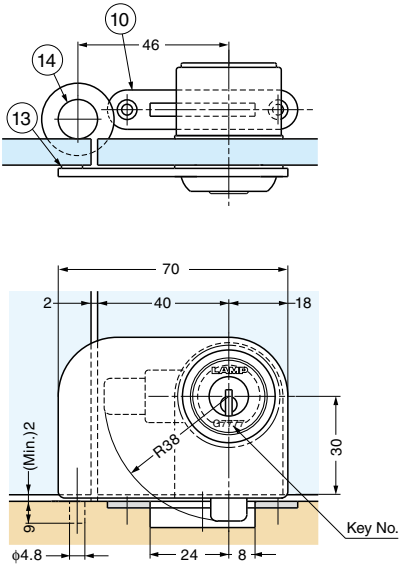


**Features**

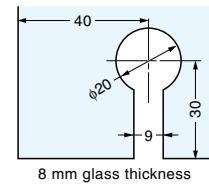
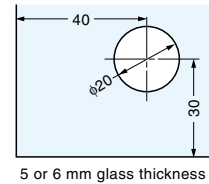
- For double door application.
- Dimple key lock series. Ideal for showcase application.
- Reversible key can be removed when locked and turn 90° rotation clockwise.
- 1 million key changes available.
- Master Key system available at surcharge. (Max. 2,520 key changes/Master Key.)
- Keys can be shared with Million Lock Series.

**Parts Included**

Countersunk head wood screw 2.7 × 13 (SUS)



**Cut Out Dimensions**



No.	Part Name	Material	Finish/Colour		
			SN	CR	GC
①	Body	Brass	Satin Nickel	Chrome	Gold
②	Ring	Brass	Satin Nickel	Chrome	Gold
③	Plate	Brass	Satin Nickel	Chrome	Gold
④	Cam	Stainless Steel (SUS304)	Plain		
⑤	Hex Nut	Steel	Special Anti Rust Painting/Silver		
⑥	Washer	Steel	Special Anti Rust Painting/Silver		
⑦	Hex Nut	Steel	Special Anti Rust Painting/Silver		
⑧	Cover	Polypropylene (PP)	Black		
⑨	Ring	Polypropylene (PP)	Black		
⑩	Strike	Stainless Steel (SUS304)	Polished		
⑪	Key	Brass	Nickel		
⑫	Plate	Stainless Steel (SUS304)	Polished		
⑬	Clear Bumper BS-40	Polyurethane (PUR)	Clear		
⑭	Stopper SS-324BR	Polyamide (PA)	Brown		

Item Code	Item Name	Key Type	Glass Thickness	Weight	Box	Carton
150-060-951	1310GLW-SN-B	Key Different	5 - 8	206 g	12 pcs	60 pcs
150-001-318	1310GLW-SN-D	Key Alike	5 - 8	206 g	12 pcs	60 pcs
150-060-953	1310GLW-CR-B	Key Different	5 - 8	206 g	12 pcs	60 pcs
150-001-319	1310GLW-CR-D	Key Alike	5 - 8	206 g	12 pcs	60 pcs
150-060-955	1310GLW-GC-B	Key Different	5 - 8	206 g	12 pcs	60 pcs
150-001-320	1310GLW-GC-D	Key Alike	5 - 8	206 g	12 pcs	60 pcs

Please contact us for this item with Master Key system.

