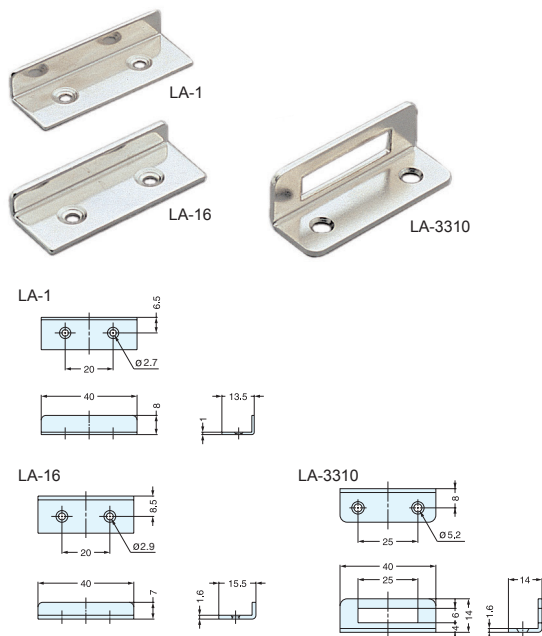
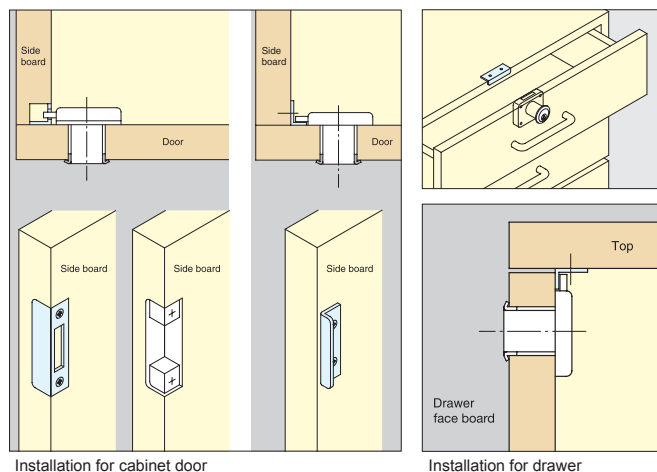


STRIKE

LA SERIES



- Optional strike plates for applications where dead bolt is close to the cabinet edge, or for inset applications.
- LA-3310 is for double door application of 3310 series and 3320 series.

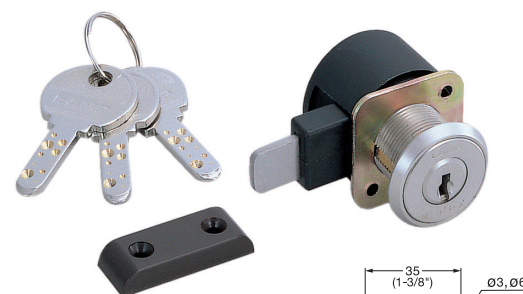


Item No.	Weight (g)	Box (pcs)	Carton (pcs)	Material	Finish
LA-1	6	400	1600	Steel	Nickel
LA-16	9				
LA-3310	11	100	1000		

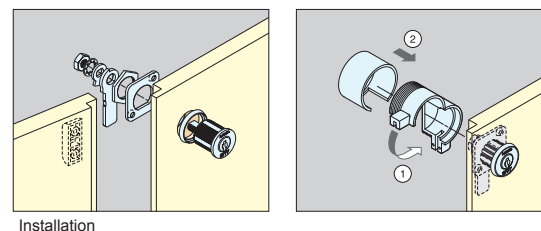
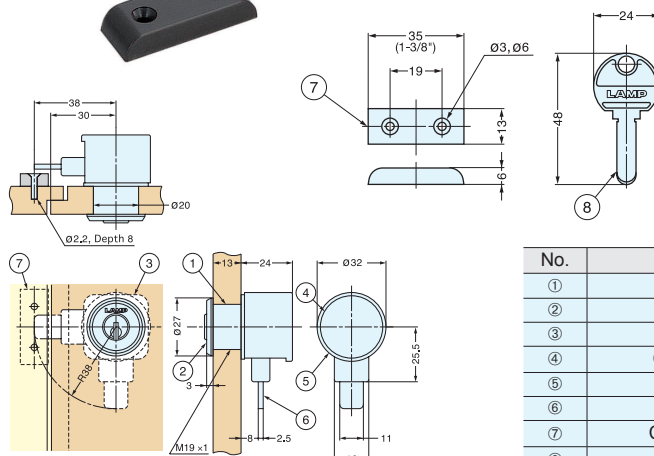
CAM LOCK FOR WOOD DOORS



1300SK



- Dimple key lock series.
- Reversible key. (3 keys supplied)
- Designed for door thickness 13 mm (1/2").
- 1 million key changes available; Please specify keyed alike or differently when ordering.
- Turn the key 360° to lock or unlock.
- 90° cam rotation.
- Master key system available at surcharge. (Max. 2,520 key changes per master key.)



No.	Part Name	Material	Finish
①	Body	Brass	Nickel
②	Base Ring		
③	Plate	Steel	Zinc Chromate
④	Case Cover	Polypropylene	Black
⑤	Ring		
⑥	Cam	303 Stainless Steel	Satin
⑦	Counterplate	ABS	Brown
⑧	Key	Brass	Nickel

Item No.	Door Thickness	Weight (g)	Box (pcs)	Carton (pcs)
1300SK	13 (1/2")	115	12	60