

LATCH HOOK (W/PADLOCK HOLE)



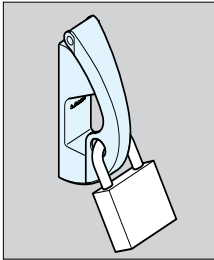
EN-R80-K



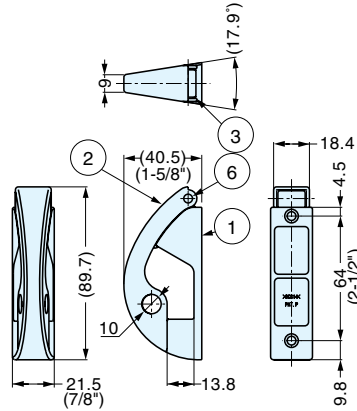
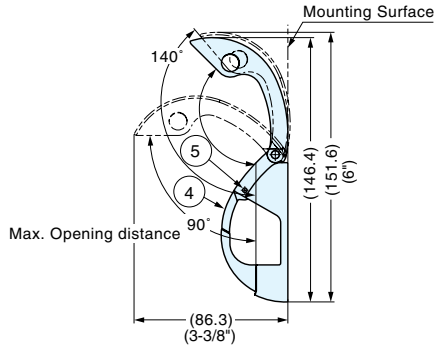
Closed



Open



- Keeps items hooked, ideal for vibration or shock applications.
- Can be used with padlock.



| Item No. | Load Capacity (kg) | Weight (g) | Box (pcs) | Carton (pcs) |
|----------|--------------------|------------|-----------|--------------|
| EN-R80-K | 20 (44 lbs) | 180 | 10 | 60 |

| No. | Part Name | Material | Finish |
|-----|-----------------|---------------------|--------|
| ① | Body | 304 Stainless Steel | Mirror |
| ② | Cover | 316 Stainless Steel | |
| ③ | O ring | EPDM | Black |
| ④ | Lever | 304 Stainless Steel | Mirror |
| ⑤ | Shaft | 316 Stainless Steel | Plain |
| ⑥ | Shaft for cover | | |

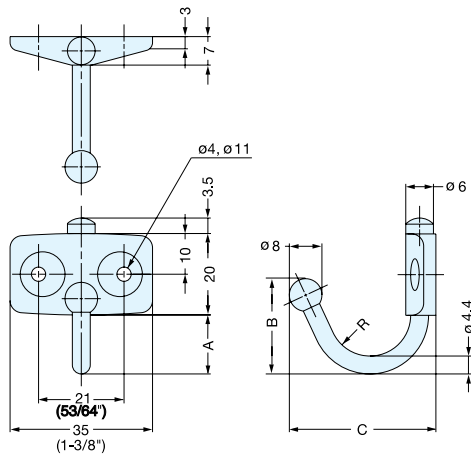
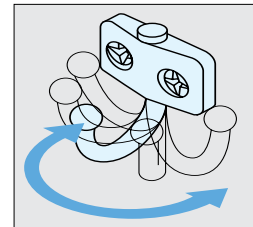
SWING HOOK (W/FRICTION)



TK



- Swivels 180 degrees.
- Hook has constant torque when swiveling.
- Ideal for vibration or shock applications.



| Material | Finish |
|---------------------|----------|
| 304 Stainless Steel | Polished |

| Item No. | A | B | C | R | Load Capacity (kg) | Weight (g) | Box (pcs) | Carton (pcs) |
|----------|------|---------------|-----------------|----|--------------------|------------|-----------|--------------|
| TK-30F | 14.5 | 23.4 (59/64") | 36.0 (1-27/64") | 10 | 12 (26 lbs) | 17 | 100 | 1000 |
| TK-45F | 19.4 | 28.4 (1-1/8") | 44.3 (1-3/4") | 15 | 8 (17 lbs) | 20 | | |