

SWING HOOK (W/FRICTION)



JF-T100

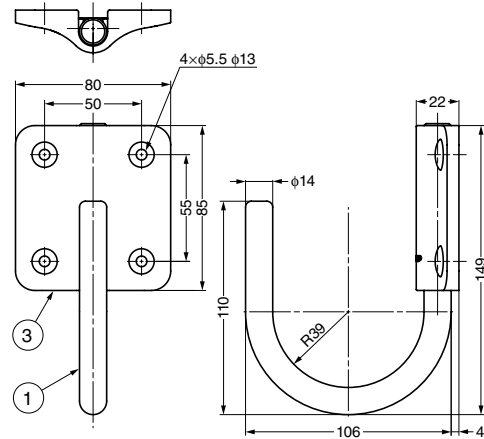


Features

- The arm can rotate 180°.
- Has constant friction in arm preventing unwanted clicking sounds and movement due to vibrations.

Parts Included

Binding head tapping screw 5x30 (SUS)



No.	Part Name	Material	Finish/Colour
①	Hook	Stainless Steel (SUS304)/Stainless Steel (SUS303)	Mirror
②	Bracket	Polyacetal (POM)	Black
③	Strike	Stainless Steel (SCS13)	Mirror

*SCS13 is equivalent of SUS304.

Item Code	Item Name	Load Capacity		Weight	Box	Carton
110-032-414	JF-T100	392 N	40 kgf	638 g	5 pcs	20 pcs

LARGE UTILITY HOOK



XL-CUJ

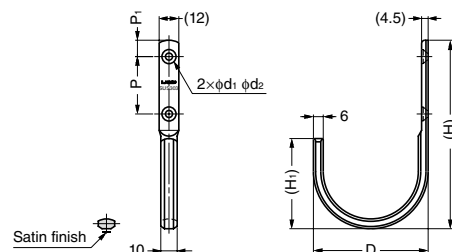


Features

- Surface has an attractive combination of satin and mirror finishes.
- XL-CUF is a larger hook with the same combination finish.

Parts Included

- XL-CUJ45TT: Raised countersunk head tapping screw 3.5x20 (SUS)
- XL-CUJ70TT: Raised countersunk head tapping screw 4x20 (SUS)



Item Code	Item Name	Material	Finish	D	H	H ₁	P	P ₁	d ₁	d ₂	Load Capacity	Weight	Box	Carton	
110-020-012	XL-CUJ45TT	Stainless Steel (SUS303)	Mirror and Satin Combination	46	75	36	20	8.5	3.8	7.2	186.2 N	19 kgf	54 g	20 pcs	120 pcs
110-020-013	XL-CUJ70TT	Stainless Steel (SUS303)	Mirror and Satin Combination	72	112	56	35	10	4.3	8.6	137.2 N	14 kgf	84 g	10 pcs	60 pcs