

# LARGE LATCH HOOK



# JN-T100



### Features

- The arm can rotate 180°.
- Has constant friction in arm preventing unwanted clicking sounds and movement due to vibrations.
- Latch opening shuts automatically, preventing unintended detachment.
- Suitable for use to secure cables, ropes or tubes.

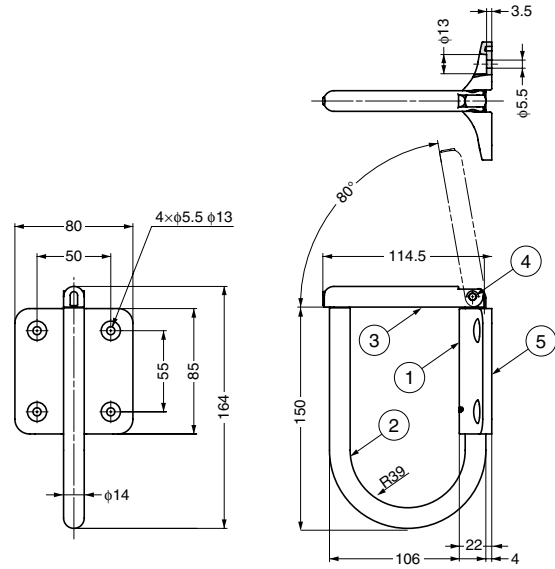
### Parts Included

Binding head tapping screw 5x30 (SUS)



No.	Part Name	Material	Finish
①	Strike	Stainless Steel (SCS13)	Mirror
②	Hook	Stainless Steel (SUS303)	Mirror
③	Arm	Stainless Steel (SCS13)	Mirror
④	Shaft	Stainless Steel (SUS303)	Plain
⑤	Back Plate	Stainless Steel (SUS304)	Plain

\*SCS13 is equivalent of SUS304.



Item Code	Item Name	Load Capacity		Weight	Box	Carton
110-022-111	JN-T100	392 N	40 kgf	800 g	5 pcs	20 pcs

# SWING HOOK (W/FRICTION)



# JF-T45, JF-T70

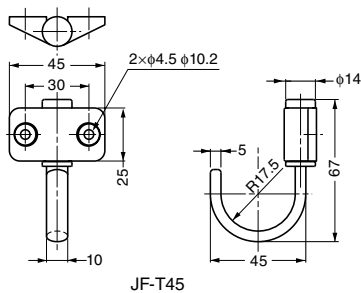


### Features

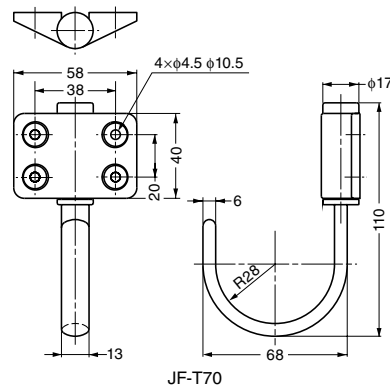
- The arm can rotate 180°.
- Has constant friction in arm preventing unwanted clicking sounds and movement due to vibrations.

### Parts Included

Truss tapping screw 4x20 (SUS)



JF-T45



JF-T70

Item Code	Item Name	Material	Finish	Load Capacity		Weight	Box	Carton
110-020-083	JF-T45	Stainless Steel (SCS13)	Mirror	98 N	10 kgf	90 g	10 pcs	120 pcs
110-020-084	JF-T70	Stainless Steel (SCS13)	Mirror	98 N	10 kgf	225 g	10 pcs	60 pcs

\*SCS13 is equivalent of SUS304.