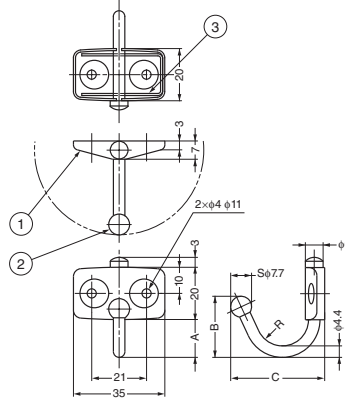


# SWING HOOK



# TK, TKF

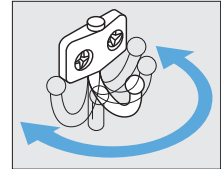


### Features

- Hook can rotate 180°. Version with friction and without friction available.
- Friction type prevents unintended position adjustment due to vibrations.
- Hook has ball end, making it safer to use and preventing detachment.

### Parts Included

Countersunk head wood screw 3.5x20 (SUS)



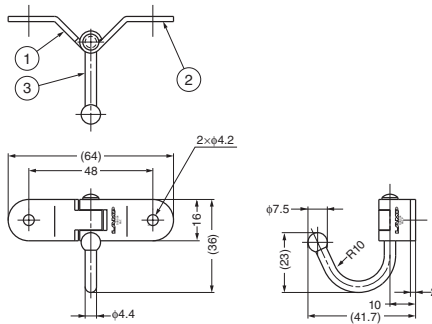
No.	Part Name	Material	Finish
①	Mounting Plate	Stainless Steel (SUS304)	Polished
②	Hook	Stainless Steel (SUS304)	Polished
③	Spring	Stainless Steel (SUS304WPB)	Plain

Item Code	Item Name	Type	Material	Finish	A	B	C	R	Load Capacity	Weight	Box	Carton	
110-020-250	TK-30	Without Friction	Stainless Steel (SUS304)	Polished	14.5	23.4	36	10	117.6 N	12 kgf	17 g	100 pcs	1000 pcs
110-020-254	TK-45	Without Friction	Stainless Steel (SUS304)	Polished	19.4	28.4	44.3	15	78.4 N	8 kgf	20 g	100 pcs	1000 pcs
110-020-018	TK-30F	With Friction	Stainless Steel (SUS304)	Polished	14.5	23.4	36	10	117.6 N	12 kgf	17 g	100 pcs	1000 pcs
110-020-019	TK-45F	With Friction	Stainless Steel (SUS304)	Polished	19.5	28.4	44.3	15	78.4 N	8 kgf	20 g	100 pcs	1000 pcs

# BUTTERFLY HOOK



# TZ-360



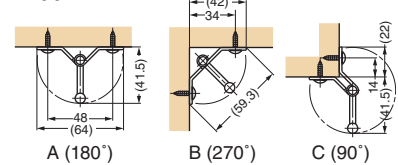
### Features

- Body can be folded like a hinge, allowing for installation on flat surfaces, corners and edges.
- Hook section can rotate, making it easy to decide on position for installation
- Hook has ball end, making it safer to use and preventing detachment.

### Parts Included

Truss head tapping screw 4x12 (SUS)

### Application



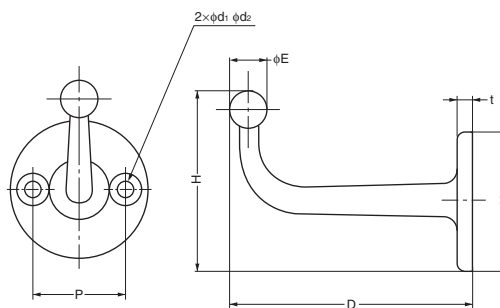
No.	Part Name	Material	Finish
①	Leaf (L)	Stainless Steel (SUS304)	Mirror
②	Leaf (R)	Stainless Steel (SUS304)	Mirror
③	Hook	Stainless Steel (SUS304)	Polished

Item Code	Item Name	Material	Finish	Load Capacity			Weight	Box	Carton			
				A	B	C						
110-020-009	TZ-360	Stainless Steel (SUS304)	Polished	59 N	6 kgf	55 N	5.6 kgf	29 N	3 kgf	27 g	50 pcs	500 pcs

# HOOK



# FC



### Features

- Hook has ball end, making it safer to use and preventing detachment.
- Also available in titanium, allowing for use by people with metal allergies.

### Parts Included

- FC-50: Raised countersunk head wood screw 3.1x16 (SUS)
- FC-65: Raised countersunk head wood screw 3.8x20 (SUS)

RoHS	CAD	Item Code	Item Name	Material	Finish	D	H	H <sub>1</sub>	t	P	d <sub>1</sub>	d <sub>2</sub>	E	Load Capacity	Screw	Weight	Box	Carton	
-		110-020-121	FC-50TI	Titanium	Shot Blast	47	37	28	3	18.5	3.3	6.5	6.5	222 N	23 kgf	-	17 g	20 pcs	120 pcs
-		110-020-120	FC-65TI	Titanium	Shot Blast	65	44	35	4	22.5	4.2	8	8	294 N	30 kgf	-	34 g	30 pcs	180 pcs
		110-026-006	FC-50	Stainless Steel (SCS13)	Mirror	47	37	28	3	18.5	3.3	6.5	6.5	98 N	10 kgf	3.1x16	25 g	40 pcs	480 pcs
		110-026-007	FC-65	Stainless Steel (SCS13)	Mirror	65	44	35	4	22.5	4.2	8	8	117.6 N	12 kgf	3.8x20	54.5 g	20 pcs	240 pcs

\*SCS13 is equivalent of SUS304.