

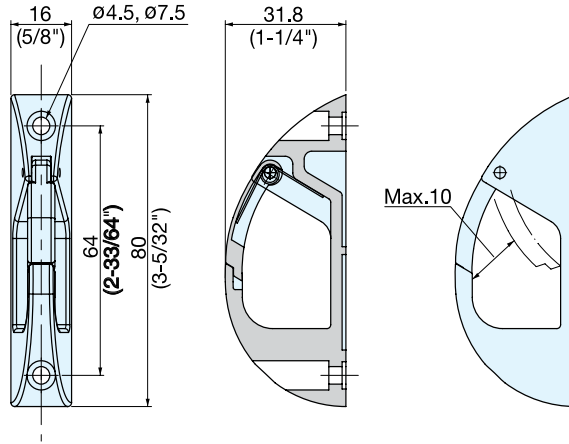
# LATCH HOOK



# EN-R80



- Keeps items hooked, ideal for vibration or shock applications.



Item No.	Load Capacity (kg)		Weight (g)	Box (pcs)	Carton (pcs)	Material	Finish
	Hook	Arm					
EN-R80	20 (44 lbs)	10 (22 lbs)	85	10	120	316 Stainless Steel	Polished

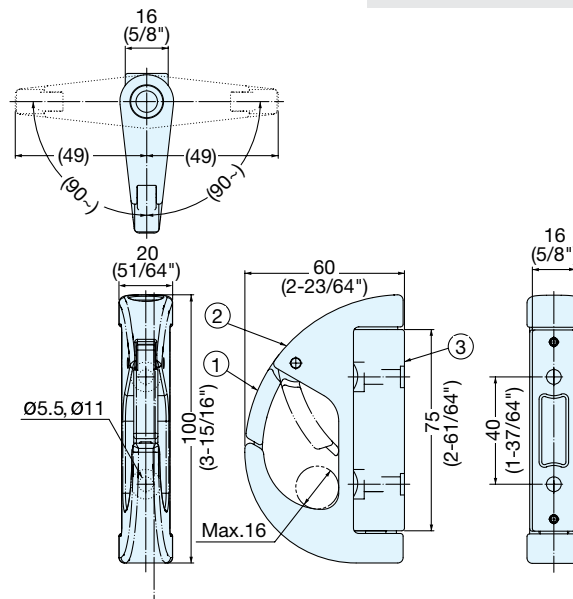
# LATCH HOOK



# EN-R100F



- Swivels 180 degrees.
- Keeps items hooked, ideal for vibration or shock applications.



Item No.	Load Capacity (kg)	Weight (g)	Box (pcs)	Carton (pcs)	Material	Finish
EN-R100-K	60 (132 lbs-in)	350	10	50	316 Stainless Steel	Polished