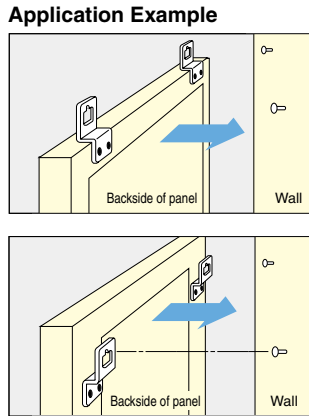
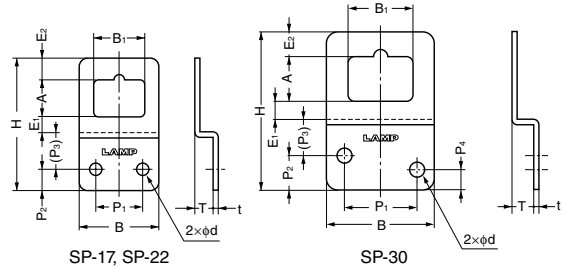


FRAME HANGER

TEST METHOD 3 STAINLESS 304 STEEL SP



- Parts Included**
- SP-17: Round head wood screw 2.7×13 (SUS)
 - SP-22: Round head wood screw 3.1×16 (SUS)
 - SP-30: Round head wood screw 3.5×16 (SUS)



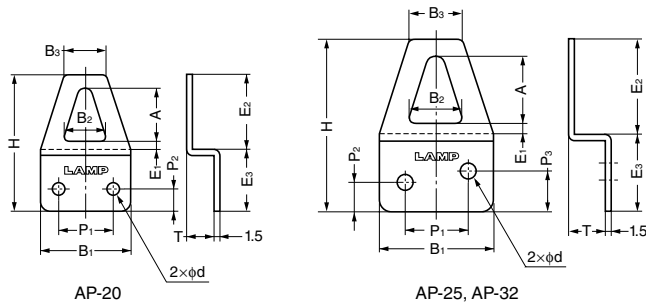
| Item Code | Item Name | Material | Finish | B | B ₁ | H | A | P ₁ | P ₂ | P ₃ | P ₄ | d | E ₁ | E ₂ | T | t | Load Capacity | Weight(g) | Box(pcs) | Carton(pcs) | |
|-------------|-----------|--------------------------|----------|----|----------------|------|----|----------------|----------------|----------------|----------------|-----|----------------|----------------|---|-----|---------------|-----------|----------|-------------|------|
| 110-020-075 | SP-17 | Stainless Steel (SUS304) | Polished | 17 | 10.5 | 28.5 | 7 | 8 | 4.5 | 9.5 | - | 2.7 | 3.5 | 4 | 4 | 1.2 | 98 N | 10 kgf | 4 | 200 | 1000 |
| 110-020-076 | SP-22 | Stainless Steel (SUS304) | Polished | 22 | 14 | 36.5 | 10 | 13 | 6 | 10 | - | 3.3 | 4.5 | 6 | 5 | 1.5 | 98 N | 10 kgf | 8 | 200 | 1000 |
| 110-020-077 | SP-30 | Stainless Steel (SUS304) | Polished | 30 | 18 | 43.5 | 12 | 20 | 9.5 | 10 | 5.5 | 4.2 | 5 | 7 | 6 | 1.5 | 98 N | 10 kgf | 13 | 100 | 500 |

FRAME HANGER

TEST METHOD 3 STAINLESS 304 STEEL AP



- Parts Included**
- AP-20: Round head wood screw 2.7×13 (SUS)
 - AP-25: Round head wood screw 3.1×16 (SUS)
 - AP-32: Round head wood screw 3.5×16 (SUS)



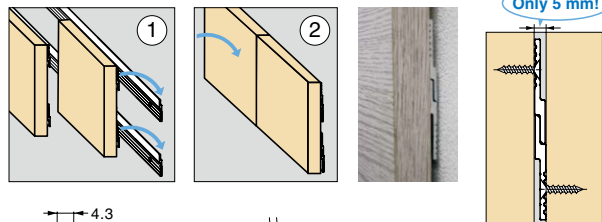
| Item Code | Item Name | Material | Finish | B ₁ | B ₂ | B ₃ | H | A | P ₁ | P ₂ | P ₃ | d | E ₁ | E ₂ | E ₃ | T | Load Capacity | Weight(g) | Box(pcs) | Carton(pcs) | |
|-------------|-----------|--------------------------|----------|----------------|----------------|----------------|------|------|----------------|----------------|----------------|-----|----------------|----------------|----------------|----|---------------|-----------|----------|-------------|------|
| 110-029-270 | AP-20 | Stainless Steel (SUS304) | Polished | 20 | 9.2 | 9.2 | 30.4 | 11.8 | 12 | 5 | - | 2.8 | 2 | 16.8 | 13.6 | 6 | 98 N | 10 kgf | 6 | 100 | 1000 |
| 110-029-271 | AP-25 | Stainless Steel (SUS304) | Polished | 25 | 11.5 | 11.5 | 37.5 | 14.7 | 14 | 6.5 | 9 | 3.3 | 2.5 | 20.5 | 17 | 8 | 98 N | 10 kgf | 10 | 100 | 1000 |
| 110-029-272 | AP-32 | Stainless Steel (SUS304) | Polished | 32 | 14.8 | 14.8 | 47 | 17.2 | 18 | 8 | 12 | 4.2 | 3.2 | 24.5 | 22.5 | 10 | 98 N | 10 kgf | 16 | 100 | 1000 |

PANEL HANGER

AUH



Installation

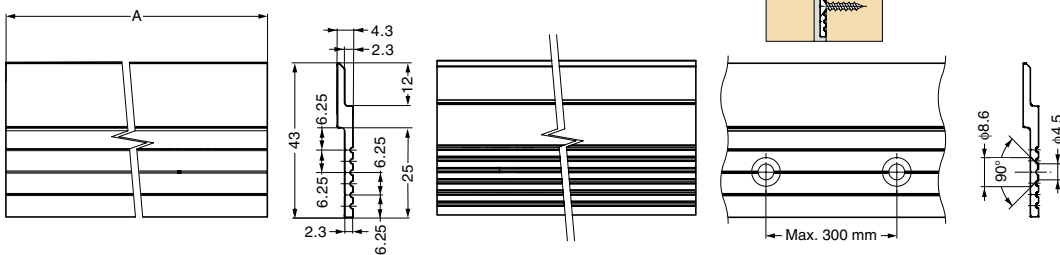


- Features**
- Push in install, pull to remove.
 - Distance to wall is only 5mm.

Application Example
Exhibition panels, paintings etc.

Recommended Screws
Countersunk head tapping screw 4

- Remarks**
Actual load capacity varies depending on conditions. The load capacity in the catalog is based on conditions below.
- Numbers of AUH: 2 pcs
 - Length : 700 mm
 - Distance between 2 AUH : 780 mm
 - Panel Height : 900 mm
 - Panel Length : 700 mm
 - Panel Thickness : 25 mm



| Item Code | Item Name | A | Material | Finish | Load Capacity | Weight(g) | Carton(pcs) |
|-------------|-----------|------|-----------------|-----------------|---------------|-----------|-------------|
| 110-021-888 | AUH- 900 | 900 | Aluminium Alloy | Anodized Silver | 294.2 N | 30 kgf | 246 |
| 110-023-958 | AUH-2700 | 2700 | Aluminium Alloy | Anodized Silver | 294.2 N | 30 kgf | 737 |