

MULTI-PURPOSE LID (W/DAMPER)

AZ-GD232-HL

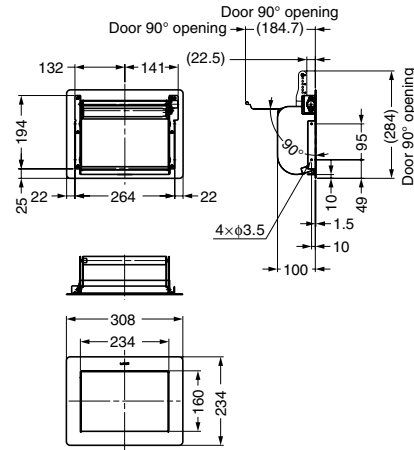


Features

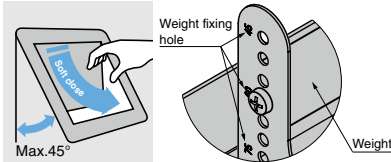
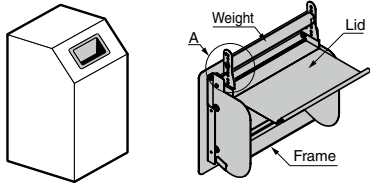
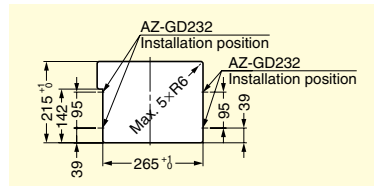
- Lid equipped with damper.
- Able to install the lid with angle of 85 to 45 degrees.
- Installed with anti-pinching plates.
- Corrosion resistant.

Remarks

Operating temperature: 0°C - 40°C



Cut Out Dimensions



MISCELLANEOUS

MULTI-PURPOSE LID (W/DAMPER) / SQUARE COVER FOR REFUSE BOX

| Item Code | Item Name | Material | Finish | Weight | Box | Carton |
|-------------|-------------|--------------------------|--------|--------|------|--------|
| 210-032-975 | AZ-GD232-HL | Stainless Steel (SUS304) | Satin | 2200 | 1 pc | 10 pcs |

SQUARE COVER FOR REFUSE BOX

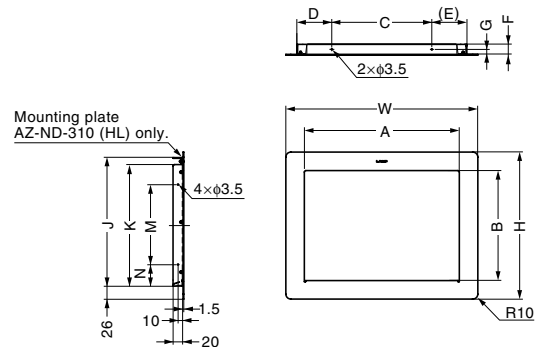


AZ-ND

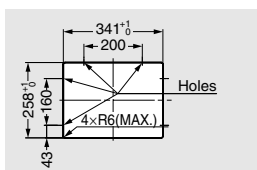
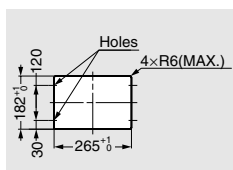


Features

Corrosion resistant.



Cut Out Dimensions



AZ-ND230-HL

AZ-ND310-HL

| Item Code | Item Name | Material | Finish | A | B | W | H | C | D | E | F | G | J | K | M | N | Weight | Box | Carton |
|-------------|-------------|--------------------------|--------|-----|-----|-----|-----|-----|----|----|----|----|-----|-----|-----|----|--------|------|--------|
| 210-017-986 | AZ-ND230-HL | Stainless Steel (SUS304) | Satin | 234 | 160 | 308 | 234 | - | - | - | - | - | - | 170 | 120 | 30 | 720 g | 1 pc | 10 pcs |
| 210-026-553 | AZ-ND310-HL | Stainless Steel (SUS304) | Satin | 310 | 220 | 384 | 294 | 200 | 70 | 70 | 20 | 10 | 257 | 243 | 160 | 43 | 1050 g | 1 pc | 10 pcs |