

MULTI-PURPOSE LID (W/DAMPER)

STAINLESS 304 STEEL

AZ-GD231-HL



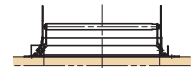
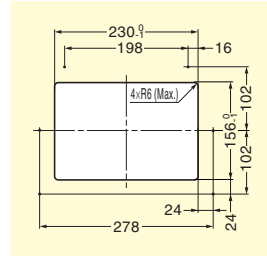
Features

- Lid equipped with damper.
- Installed with anti-pinching plates.

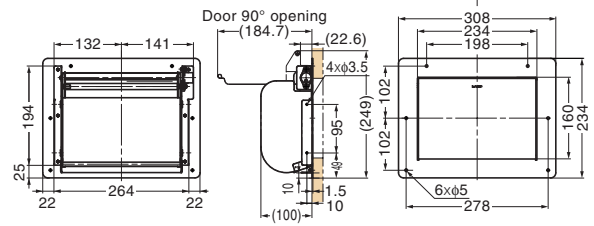
Remarks

- Indoor use only.
- Operating temperature: 0°C - 40°C.

Cut Out Dimensions



Application Example



| Item Code | Item Name | Material | Finish | Weight | Box | Carton |
|-------------|-------------|--------------------------|--------|--------|------|--------|
| 210-027-508 | AZ-GD231-HL | Stainless Steel (SUS304) | Satin | 1486 g | 1 pc | 10 pcs |

GUIDE FOR MULTI-PURPOSE LID

STAINLESS 304 STEEL

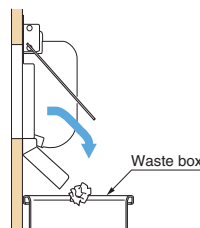
AZ-SLP



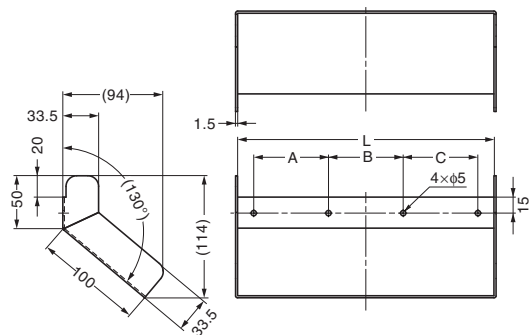
Features

Guides garbage into waste box inside.

Installation



Application Example



| Item Code | Item Name | Compatible Items | Material | Finish | L | A | B | C | Weight | Box | Carton |
|-------------|-----------|--|--------------------------|--------|-----|----|----|----|--------|------|--------|
| 210-026-554 | AZ-SLP230 | AZ-GD230, AZ-GD231, AZ-HD230, AZ-ND230 | Stainless Steel (SUS304) | Plain | 241 | 70 | 70 | 70 | 450 g | 1 pc | 20 pcs |
| 210-026-555 | AZ-SLP310 | AZ-GD310, AZ-HD310, AZ-ND310 | Stainless Steel (SUS304) | Plain | 317 | 80 | 80 | 80 | 570 g | 1 pc | 20 pcs |

MISCELLANEOUS

MULTI-PURPOSE LID (W/DAMPER) / GUIDE FOR MULTI-PURPOSE LID