

# MULTI-PURPOSE LID (W/DAMPER)

# AZ-GD232-HL

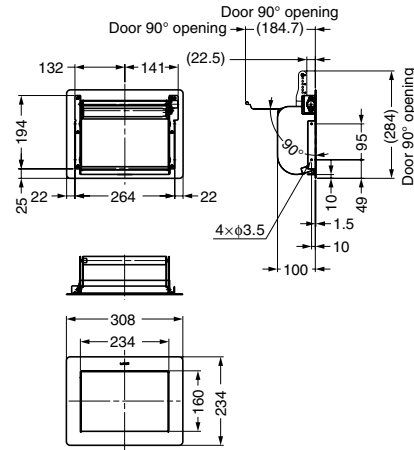


### Features

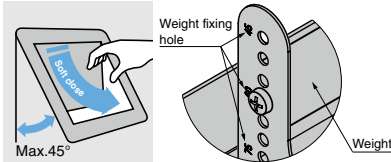
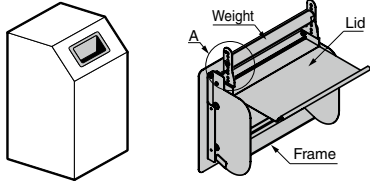
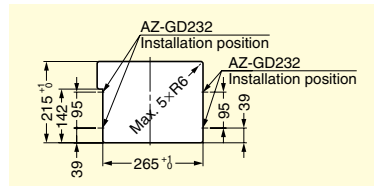
- Lid equipped with damper.
- Able to install the lid with angle of 85 to 45 degrees.
- Installed with anti-pinching plates.
- Corrosion resistant.

### Remarks

Operating temperature: 0°C - 40°C



### Cut Out Dimensions



MISCELLANEOUS

MULTI-PURPOSE LID (W/DAMPER) / SQUARE COVER FOR REFUSE BOX

Item Code	Item Name	Material	Finish	Weight	Box	Carton
210-032-975	AZ-GD232-HL	Stainless Steel (SUS304)	Satin	2200	1 pc	10 pcs

# SQUARE COVER FOR REFUSE BOX

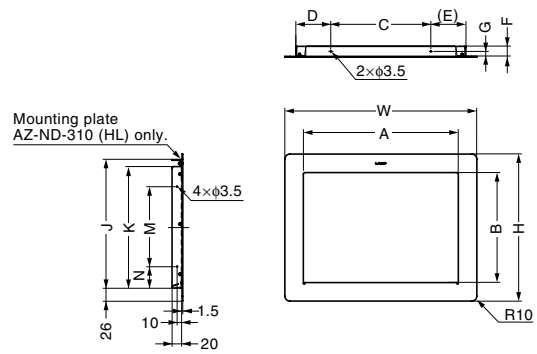


# AZ-ND

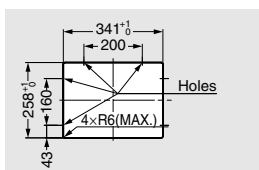
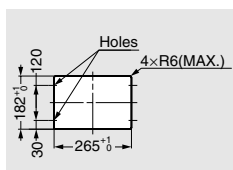


### Features

Corrosion resistant.



### Cut Out Dimensions



AZ-ND230-HL

AZ-ND310-HL

Item Code	Item Name	Material	Finish	A	B	W	H	C	D	E	F	G	J	K	M	N	Weight	Box	Carton
210-017-986	AZ-ND230-HL	Stainless Steel (SUS304)	Satin	234	160	308	234	-	-	-	-	-	-	170	120	30	720 g	1 pc	10 pcs
210-026-553	AZ-ND310-HL	Stainless Steel (SUS304)	Satin	310	220	384	294	200	70	70	20	10	257	243	160	43	1050 g	1 pc	10 pcs