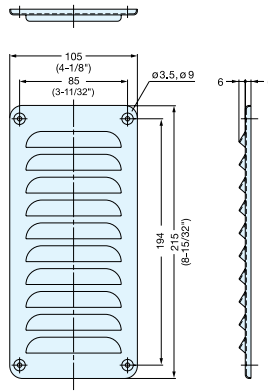


STAINLESS STEEL VENTILATOR



1-1122

• Ideal for harsh and corrosive environments.



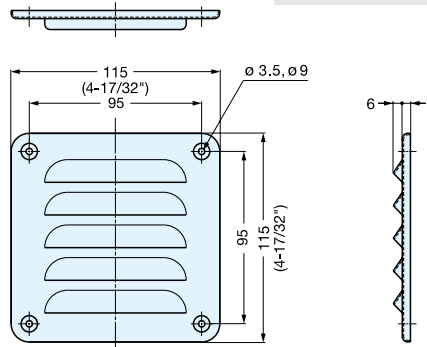
Item No.	Weight (g)	Box (pcs)	Carton (pcs)	Material	Finish
1-1122	165	10	100	316 Stainless Steel	Satin

STAINLESS STEEL VENTILATOR



1-1212

• Ideal for harsh and corrosive environments.



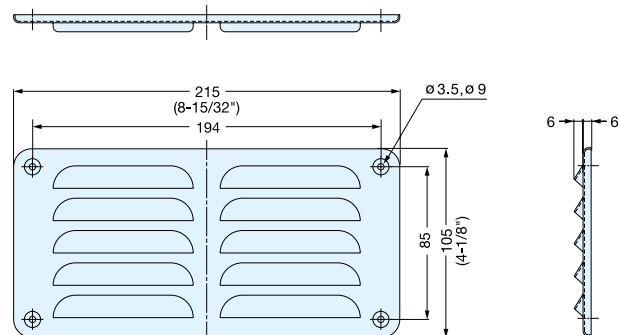
Item No.	Weight (g)	Box (pcs)	Carton (pcs)	Material	Finish
1-1212	165	10	100	316 Stainless Steel	Satin

STAINLESS STEEL VENTILATOR



1-2211

• Ideal for harsh and corrosive environments.



Item No.	Weight (g)	Box (pcs)	Carton (pcs)	Material	Finish
1-2211	165	10	100	316 Stainless Steel	Satin

ENCLOSURE COMPONENTS

STAINLESS STEEL VENTILATORS