

FULL EXTENSION SLIDE

LOAD CAPACITY 40-54kgf

DETACH

HOLD CLOSED

L=R SUS

ESR-DC4513



Features

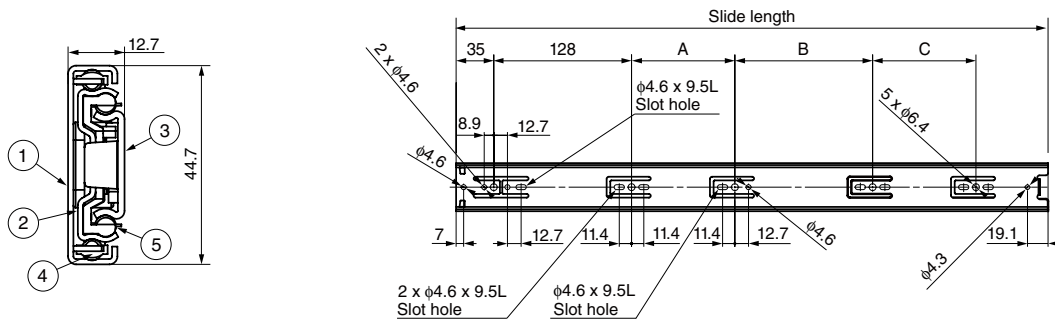
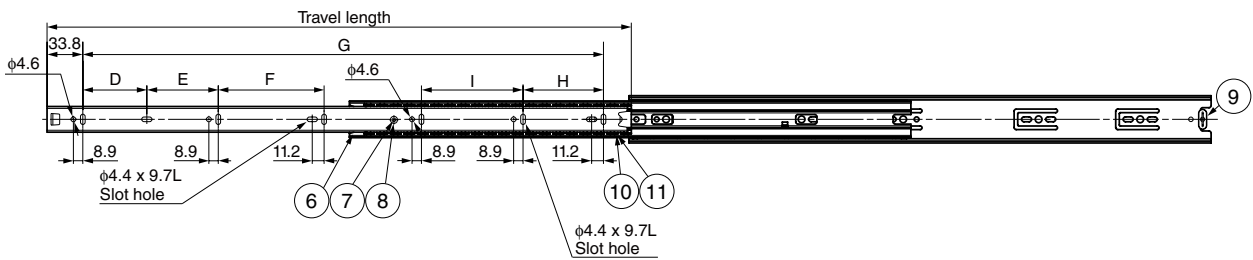
- Full extension.
- Front disconnect.
- Positive stop.
- Hold-in detent.
- Non-handed.

Recommended Screws

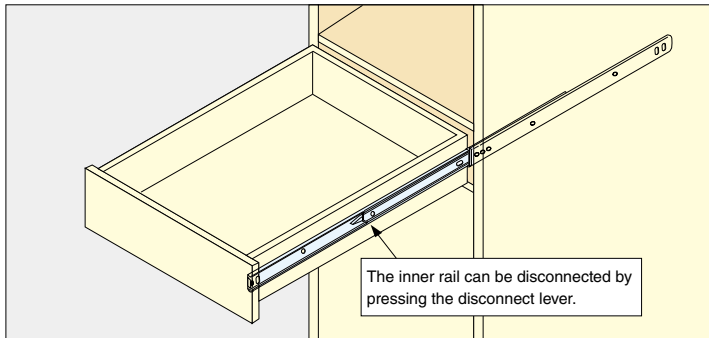
M4 or #8 Binding, or Pan head screws

DRAWER SLIDES

FULL EXTENSION SLIDE



Installation



No.	Part Name	Material
①	Outer Member	Stainless Steel (SUS304)
②	Middle Member	
③	Inner Member	
④	Retainer	Polypropylene
⑤	Ball Case	Stainless Steel (SUS304)
⑥	Stopper (Guide)	Nylon 6
⑦	Disconnecter	Nylon 66
⑧	Rivet	Stainless Steel (SUS304)
⑨	Stopper	Urethane
⑩	Balls	Stainless Steel (SUS304)
⑪	Grease	H1 Grade

CAD	Item Code	Item Name	Slide Length	Travel Length	A	B	C	D	E	F	G	H	I	Load Capacity N/pair	Load Capacity kgf/pair	Weight (g)	Box (pair)
2D/3D	190-043-692	ESR-DC4513-8	200	200	96	-	-	-	-	-	142	-	-	529	54	447	10
2D/3D	190-035-153	ESR-DC4513-10	250	250							192			510	52	603	
2D/3D	190-035-154	ESR-DC4513-12	300	300							242			490	50	754	
2D/3D	190-035-155	ESR-DC4513-14	350	350							292			480	49	919	
2D/3D	190-035-156	ESR-DC4513-16	400	400							96			461	47	1064	
2D/3D	190-035-157	ESR-DC4513-18	450	450							128			451	46	1228	
2D/3D	190-035-158	ESR-DC4513-20	500	500							192			431	44	1373	
2D/3D	190-035-159	ESR-DC4513-22	550	550							96			421	43	1528	
2D/3D	190-035-160	ESR-DC4513-24	600	600							128			412	42	1687	
2D/3D	190-035-161	ESR-DC4513-26	650	650							192			402	41	1854	
2D/3D	190-035-162	ESR-DC4513-28	700	700							96			392	40	2020	