

Thank you for purchasing our product.
For proper installation, read manual thoroughly before beginning.
Avoid incorrect installation which may cause injuries.
After reading this manual, keep it for future reference.

IMPORTANT



For proper installation, thoroughly read the "IMPORTANT" and "INSTALLATION INSTRUCTIONS" in this manual before beginning.

Please follow the instructions carefully for proper use.

For your safety, be sure to read and observe them.

The pictographs shown below are used as marks indicating safety precautions for proper and safe handling of the product and prevention of accidents caused by incorrect handling.



WARNING

Indicates a matter which, if neglected, may cause a loss of life or serious injuries.



CAUTION

Indicates a matter which, if neglected, may cause injuries or property damage.

In addition, the following pictographs are used to indicate the type of warnings (cautions).



Indicates an act which you must not do. It is followed by specific content of the act.



Indicates an instruction which you must follow. It is followed by specific content of the instruction.



If you need to install this product, ask the dealer where you purchased our product or technicians who are skilled in the installation work of the product.

Improper installation may lead to a fall of the product during usage, causing extreme danger.



When producing the frame, consider the weight of the door and the impact generated by opening and closing of the door. Insufficient strength of the frame may lead to excessive deterioration in movement of the door, as well as a fall of the door, causing extreme danger.



ATTENTION

- This product is the pivot-type hinged door. Before installing the pivot hinge, check for sufficient strength of the surface on which the pivot-hinge is to be installed.
- Work on a clean floor to prevent any flaws or scratches on the aluminum frame flat surface.
- After unpacking the product, check for damages on the parts.
- DO NOT modify the product. Otherwise, its strength may be decreased.
- Ask technicians who are skilled in the installation work of the product for assembly or installation of the product.
- When working on the product, be sure to observe the instructions in this manual.

INSTALLATION INSTRUCTIONS

Door width	Without inner crosspiece: 900 mm max.
Door height	Without inner crosspiece: 2200 mm max.
Glass thickness	5 mm, 6 mm
Door weight	40 kg max. (per door)

1 Parts list

Components (per door)	Standard size parts (specify the number of parts required)	Lever handle parts
<p>Pivot hinge AF-25-P10</p> <ul style="list-style-type: none"> ①-1 Hinge cap: 2 pcs. ①-2 Hinge: 1 pc. upper, 1 pc. lower ② Pivot hinge acceptor: 1 pc. upper, 1 pc. lower <p>Handle case AF-25-P06</p> <ul style="list-style-type: none"> ③ Case front: 1 pc. ④ Case back: 1 pc. ⑤ Case cover: 2 pcs. ⑥ Packing: 4 pcs. ⑦ Corner parts: 2 pcs. AF-25-P04 	<ul style="list-style-type: none"> ⑧ Vertical frame: 2500 mm AF-25-W01 ⑨ Horizontal frame: 2000 mm AF-25-W02 ⑩ Inner frame: 2000 mm AF-25-W03 ⑪ Glass packing AF-25-P02 (2500mm) for 5 mm AF-25-P15 (3000mm) for 6 mm ⑫ Inner crosspiece packing AF-25-P03 (2500mm) for 5 mm AF-25-P16 (2500mm) for 6 mm ⑬ Blind cover: 2500 mm AF-25-P01 <div style="border: 1px solid black; padding: 5px; display: inline-block;"> <p>CAUTION Door assembly screws are not supplied.</p> </div>	<p>Lever handle parts</p> <ul style="list-style-type: none"> ⑭ Lever handle: 1 set As for the shape and key type, ask our sales staff. Lever handle HCSA138-F11 ⑮ Lever handle mounting tool: 1 pc. ⑯ Lever handle fixing bolt: 1 pc. ⑰ Latch bolt: 1 pc. ⑱ Strike: 1 set 4 x 30 Cross-recessed self-tapping screw 658206 <p>Screw</p> <ul style="list-style-type: none"> ⑲ M5 x 12 Hexagon socket head sunk cap screw: 4 pcs. (attached to the handle case) ⑳ M4 x 12 Hexagon bolt: 1 pc. (attached to the hinge) ㉑ Nominal 6 flat washer: 1 pc. (attached to the hinge) <p>Door assembly screw (not supplied)</p> <ul style="list-style-type: none"> ㉒ M6 x 30 Hexagon socket head cap screw: 8 pcs. ㉓ M4 x 30 Hexagon socket head cap screw: Q'ty of inner crosspiece x 2 ㉔ M4 x 25 Hexagon socket head sunk cap screw: 12 pcs. ㉕ Nominal 4 or 5 cross-recessed self-tapping screw L of 30 mm or more is recommended: 8 pcs.

2 Door size

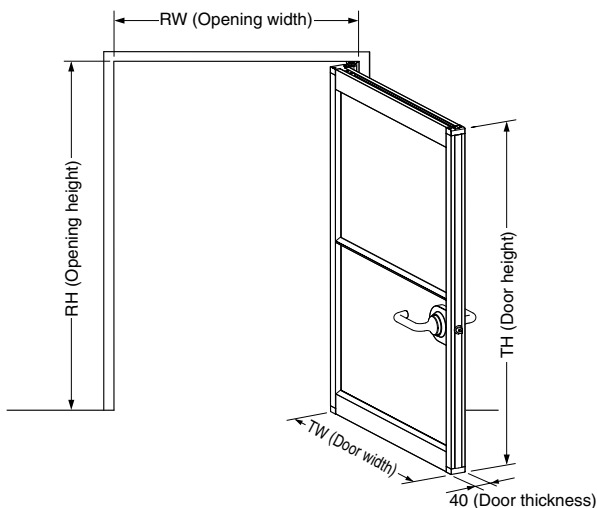
TH=RH-15 or more (when the clearance above the door is 6 mm, and the clearance under the door is a minimum of 9 mm.)

* After installing the upper acceptor with the standard clearance above the door regarded as 6 mm, install the lower acceptor.

TW=RW-11 (when the hinge clearance is 7 mm, and the clearance in the door end is 4 mm.)

Ex.) Size of the door when the opening width is 900 mm, and the opening height is 2100 mm

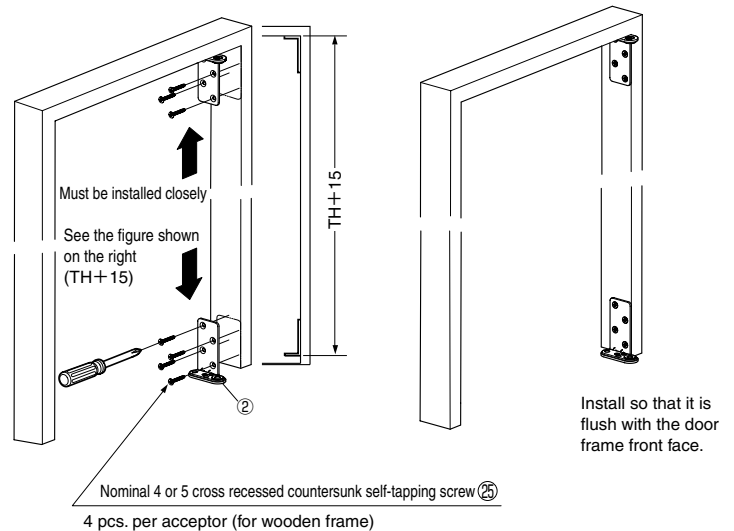
TH=2100-15=2085 mm
TW=900-11=889 mm



3 Installing acceptor for pivot hinge

CAUTION

The figures shown below are applicable to the right-side-opening type door. For the left-side-opening type door, reverse vertically.



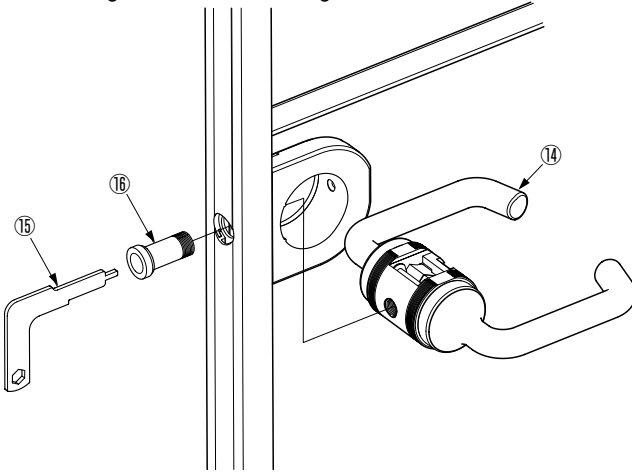
6

Installing lever handle

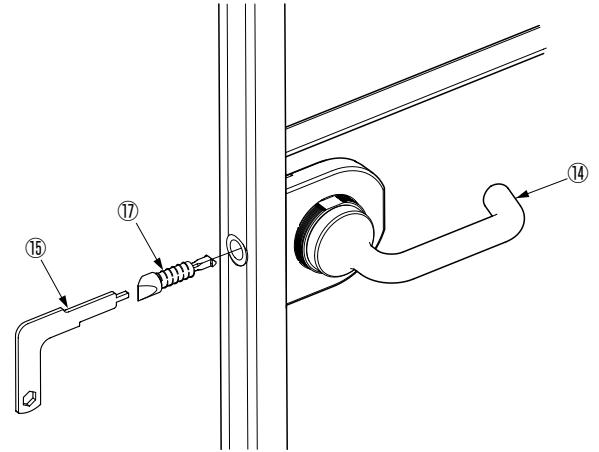
CAUTION

Thoroughly read the included instruction manual before installing the lever handle.

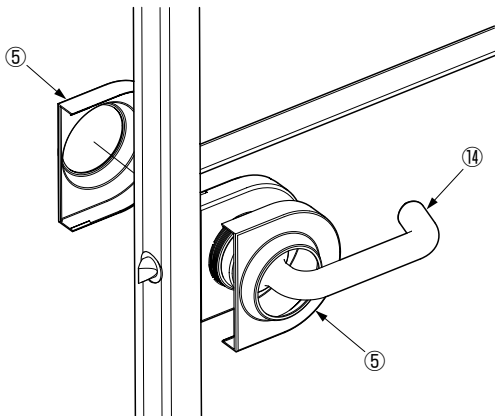
6-1. Use the included special tool ⑮ for installing the lever handle fixing bolt ⑯.



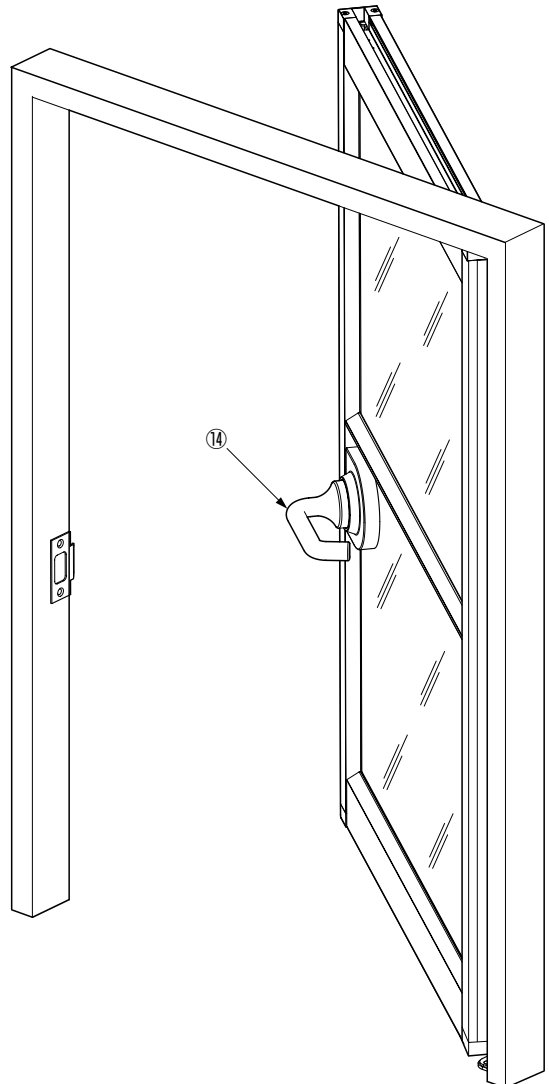
6-2. Use the included special tool ⑮ for installing the latch bolt ⑰.



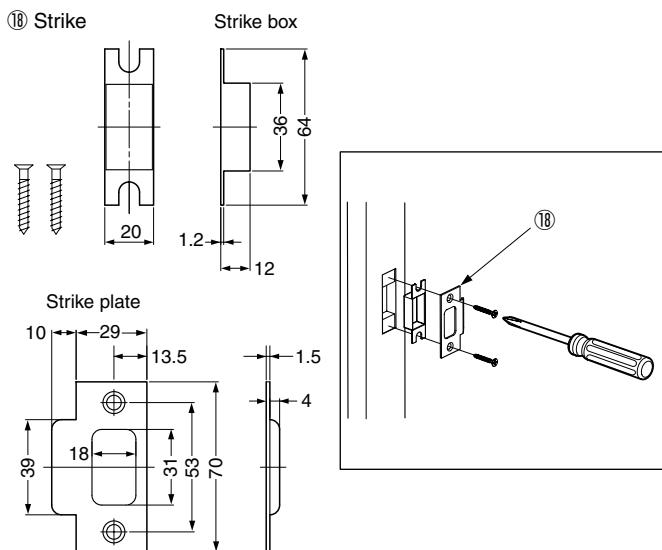
6-3. Securely push the case cover ⑤ until it is fixed.



6-5. Hold the lever handle ⑭, and close the door. Ensure that the door can close properly.



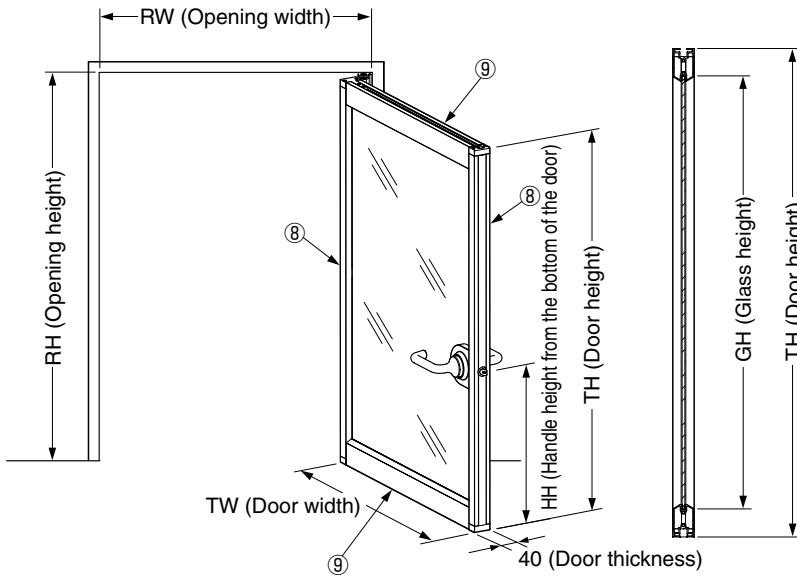
6-4. Install the strike ⑱ by gauging. Refer to the drawings shown below.



7-1

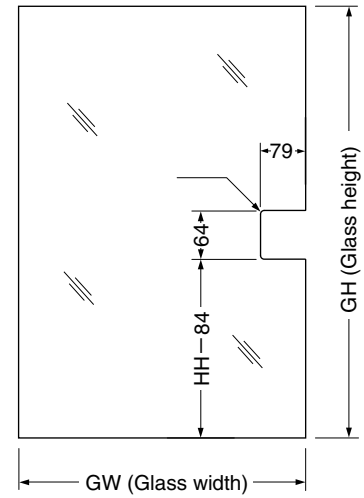
No crosspiece type

Dimensional drawing of opening and door



Cutting glass

Drawing of glass for lever handle installation



$$GH \text{ (Glass height)} = \frac{TH - 104 - (\text{Q'ty of internal crosspiece} \times 11)}{\text{Q'ty of glass}}$$

$$GW \text{ (Glass width)} = TW - 34$$

Ex.) When the door height is 2400 mm and the width is 900 mm,

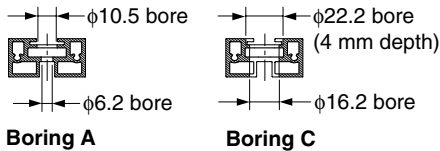
$$GH = \frac{2400 - 104 - (0 \times 11)}{1} \quad GW = 900 - 34$$

$$GH = 2296 \text{ mm} \quad GW = 866 \text{ mm}$$

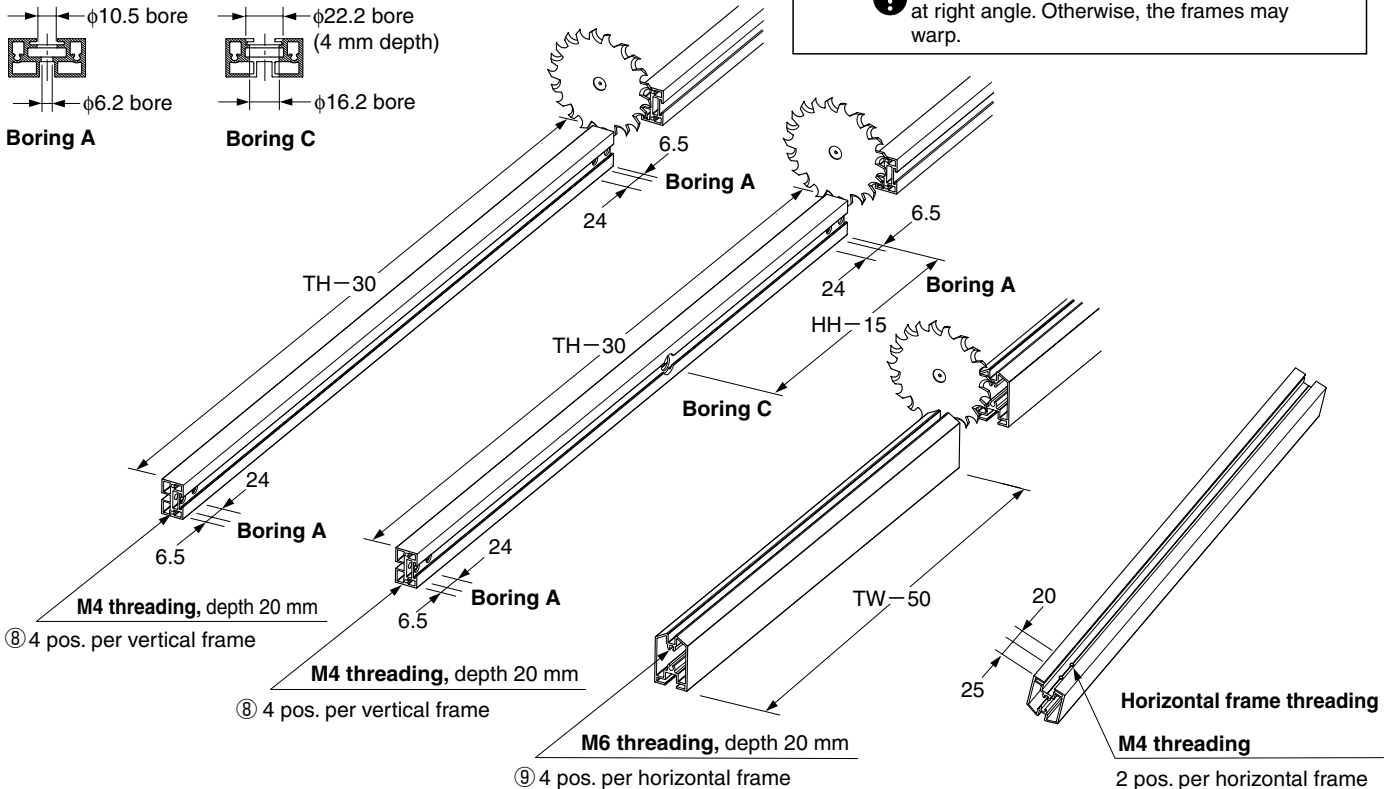
CAUTION
Glass is not supplied.

WARNING
Use unbreakable glass or safety glass.

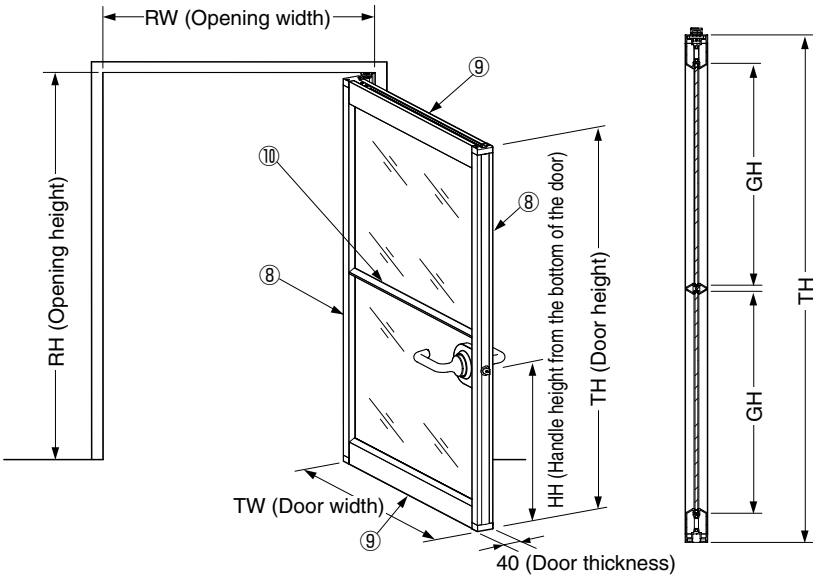
Frame



! When working on frames, wear dust-proof goggles.
! Correctly cut so that the cut faces are cross at right angle. Otherwise, the frames may warp.



Dimensional drawing of opening and door



$$GH \text{ (Glass height)} = \frac{TH - 104 - (\text{Q'ty of internal crosspiece} \times 11)}{\text{Q'ty of glass}}$$

$$GW \text{ (Glass width)} = TW - 34$$

Ex.) When the door height is 2400 mm, the width is 900 mm, and an internal crosspiece is located in the middle,

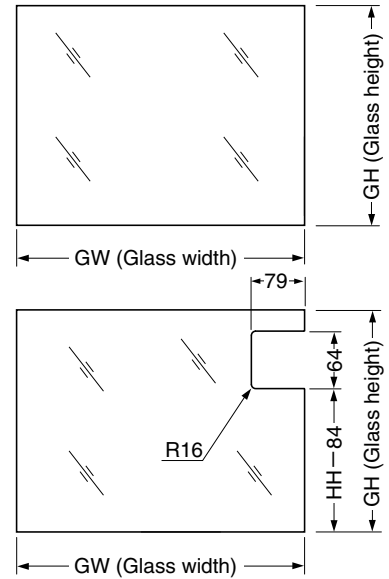
$$GH = \frac{2400 - 104 - (1 \times 11)}{2} \quad GW = 900 - 34$$

$$GH = 1142.5 \text{ mm (1142 mm)} \quad GW = 866 \text{ mm}$$

CAUTION
Glass is not supplied.

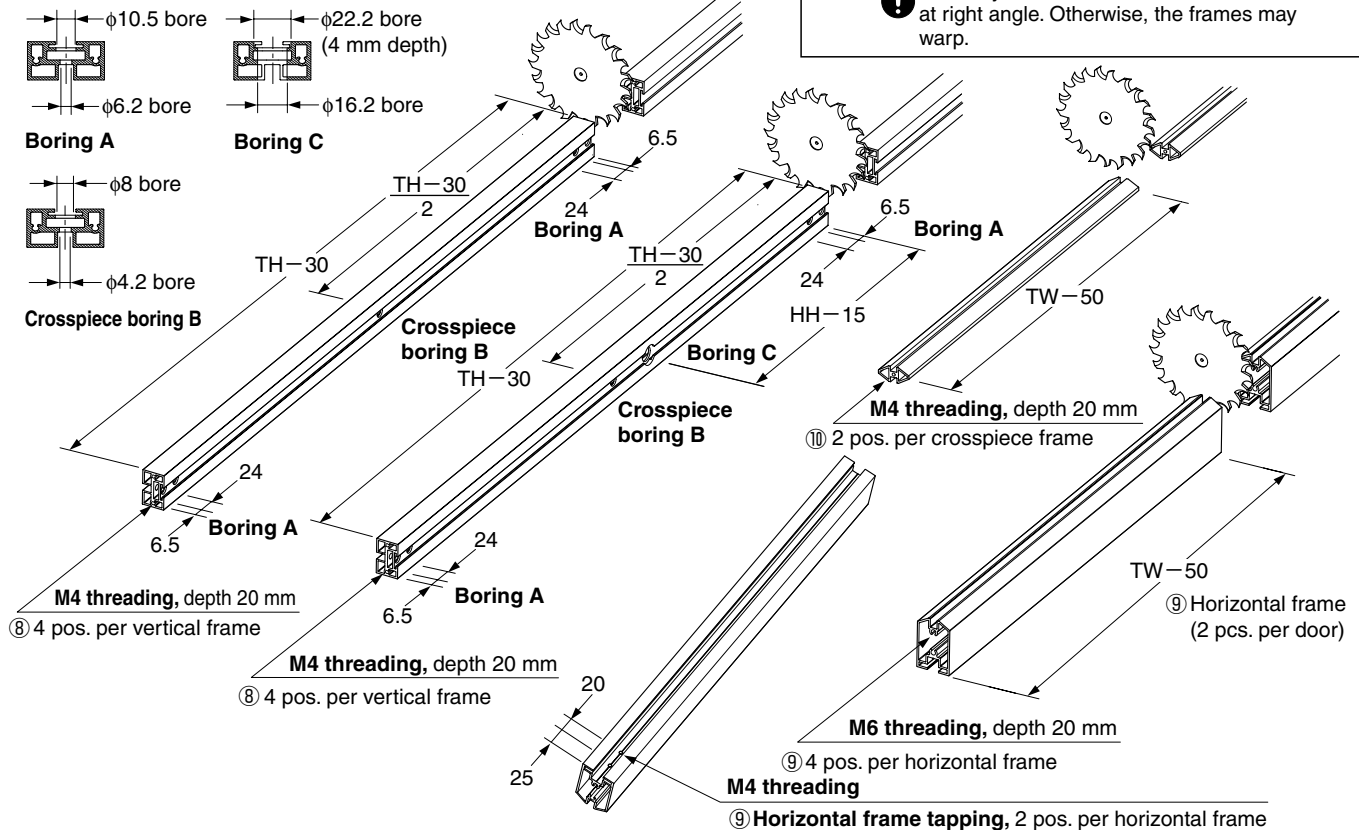
Cutting glass

Drawing of glass for lever handle installation



WARNING
Use unbreakable glass or safety glass.

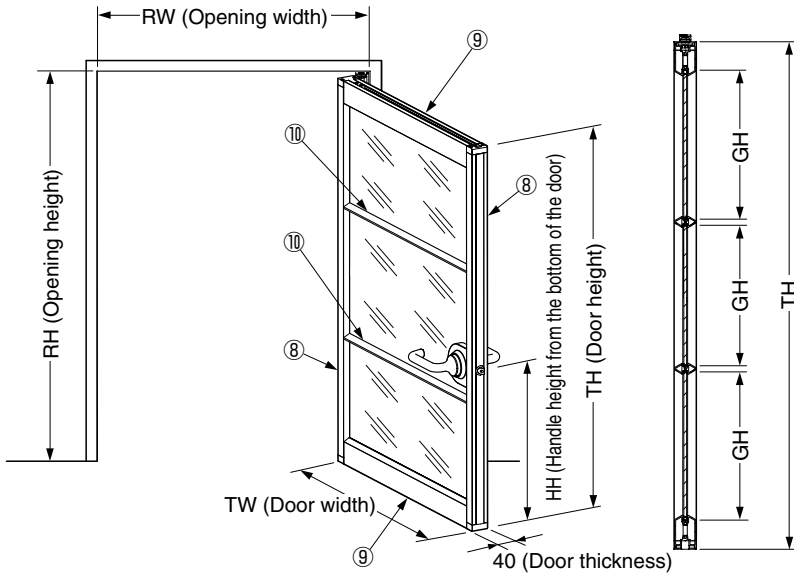
Frame



7-3

Two crosspiece type

Dimensional drawing of opening and door



$$GH \text{ (Glass height)} = \frac{TH - 104 - (\text{Q'ty of internal crosspiece} \times 11)}{\text{Q'ty of glass}}$$

$$GW \text{ (Glass width)} = TW - 34$$

Ex.) When the door height is 2400 mm and the width is 900 mm, and two internal crosspieces are located in the middle,

$$GH = \frac{2400 - 104 - (2 \times 11)}{3} \quad GW = 900 - 34$$

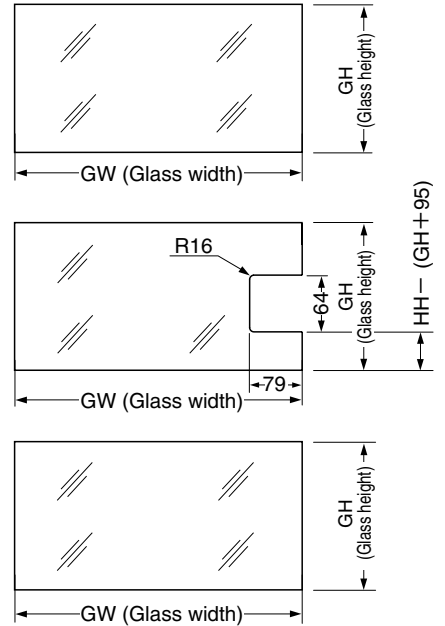
$$GH = 758 \text{ mm}$$

$$GW = 866 \text{ mm}$$

CAUTION
Glass is not supplied.

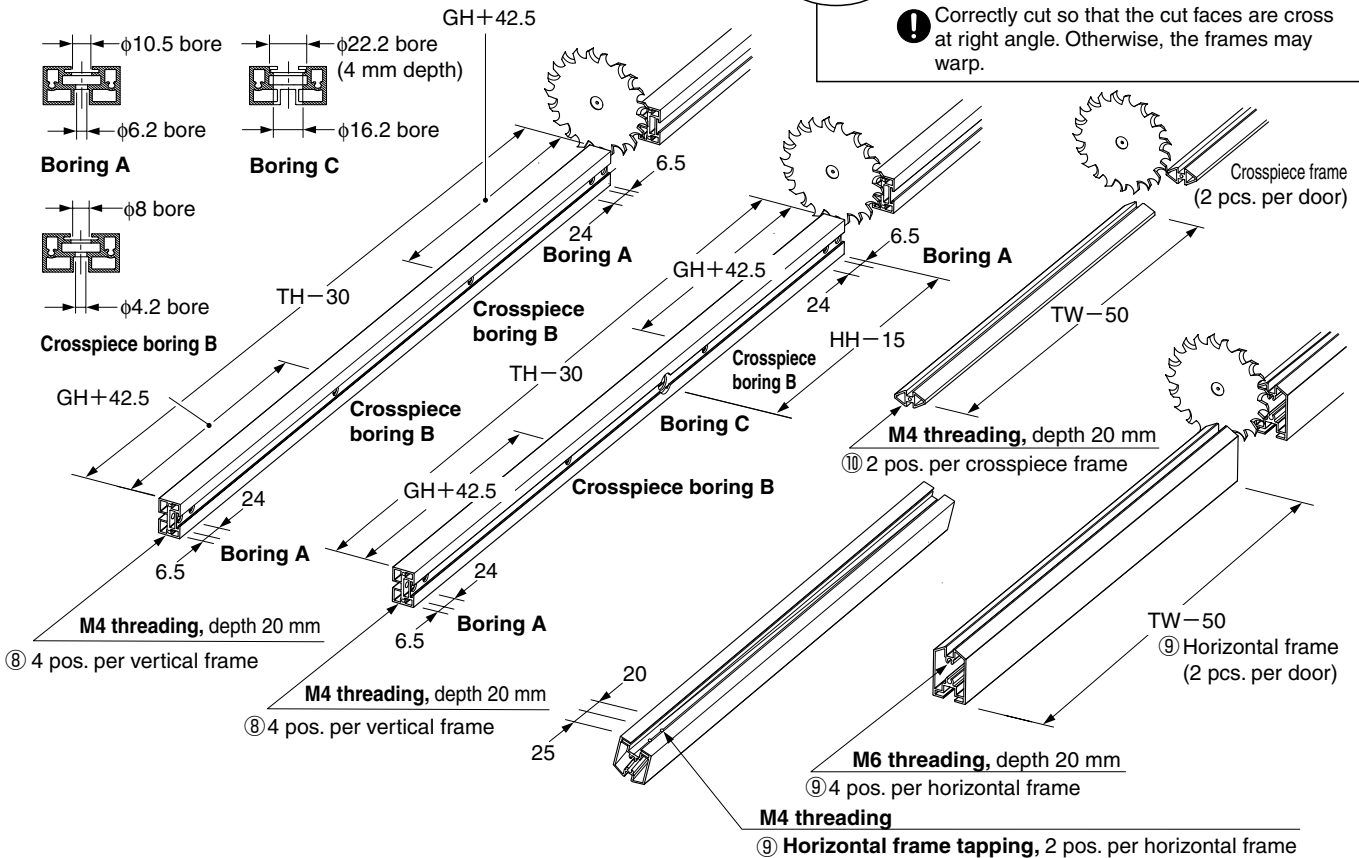
Cutting glass

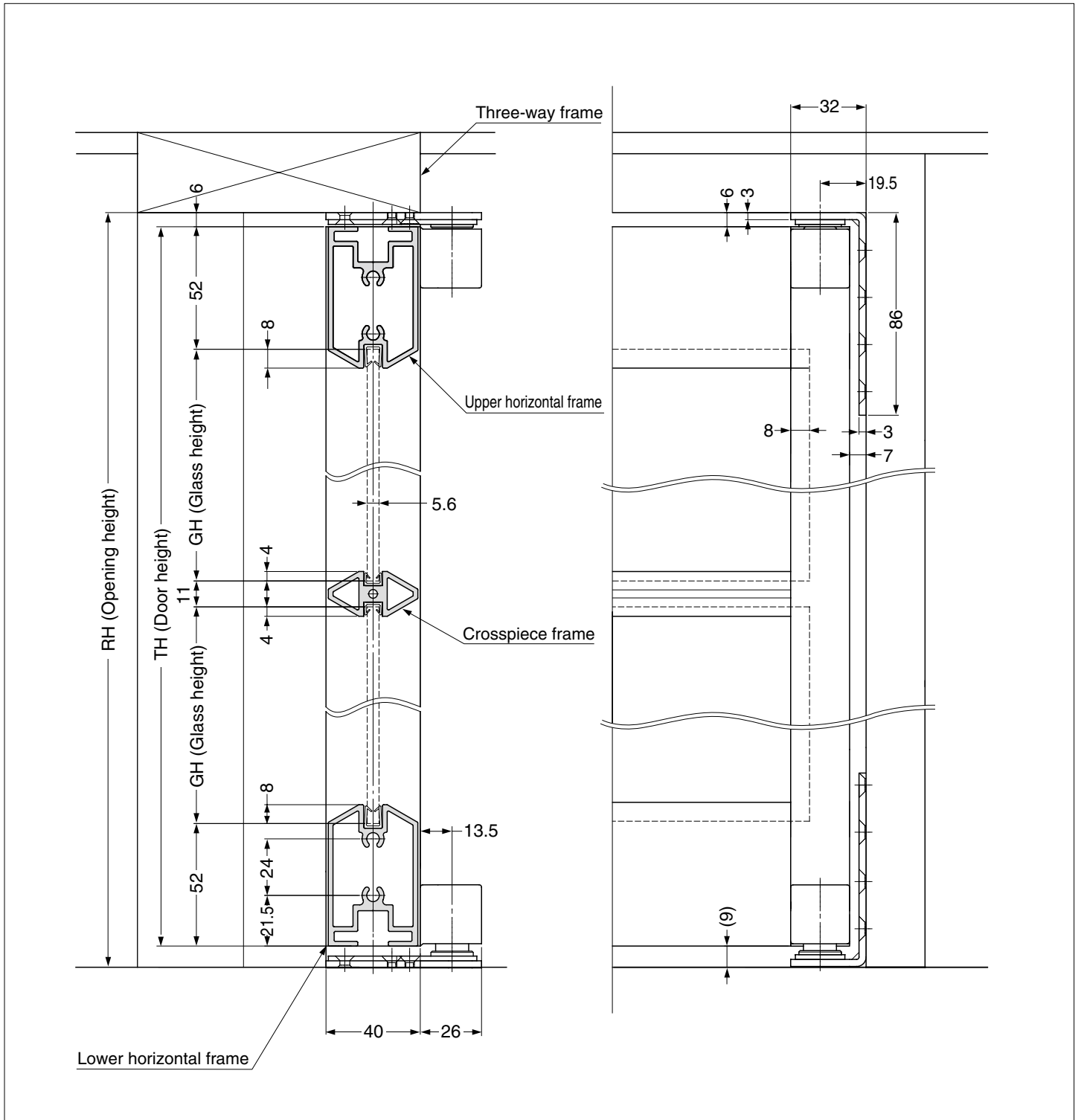
Drawing of glass for lever handle installation



WARNING
Use unbreakable glass or safety glass.

Frame





For Overseas Customers

SUGATSUNE KOGYO CO., LTD.

1-8-11 HigashiKanda, Chiyoda-ku,
Tokyo 101-8633, Japan
TEL:+81-3-3866-2260 FAX:+81-3-3866-4447
<http://www.sugatsune.co.jp>
E-mail : export@sugatsune.co.jp
ISO9001(JSAQ384) ISO14001(JSAE597) CERTIFICATE

For North American Customers

SUGATSUNE AMERICA, INC.

221 East Selandia Lane,
Carson, CA 90746, U.S.A.
TEL:+1-310-329-6373 FAX:+1-310-329-0819
TOLL FREE:(800) 562-5267 (from U.S.A & Canada only)
<http://www.sugatsune.com>
E-mail : sales@sugatsune.com