

MONOFLAT LIN-X HINGE (HEAVY DUTY)



LIN-X1000



MonoFlat LIN-X hinge®

| | LIN-X1000 |
|----------------|-----------------|
| Door Width | 750 - 1100 mm |
| Door Height | Max. 2980 mm |
| Door Thickness | 24 - 40 mm |
| Door Weight | Max. 90 kg/Door |

Features

- Unique lateral swinging movement.
- Swings out in small radius. Closes flush.
- Full access to cabinet interior: door will not get in the way when fully opened.
- Easier installation due to simplification of components.
- Free-stop: holds position at desired location within its open radius.
- Soft-closing: built-in damper slows down door near closing radius, preventing slamming.
- 4way post-installation adjustment: vertical (± 7 mm), horizontal (± 7 mm), depth (± 5 mm) and parallel ($\pm 3^\circ$).
- Good Design Show winner 2016
- Reddot Product Design winner 2017
- Passed 100,000 open/close cycles in a private test.

Parts Included

Truss head tapping screw 6x25 (16 pieces)

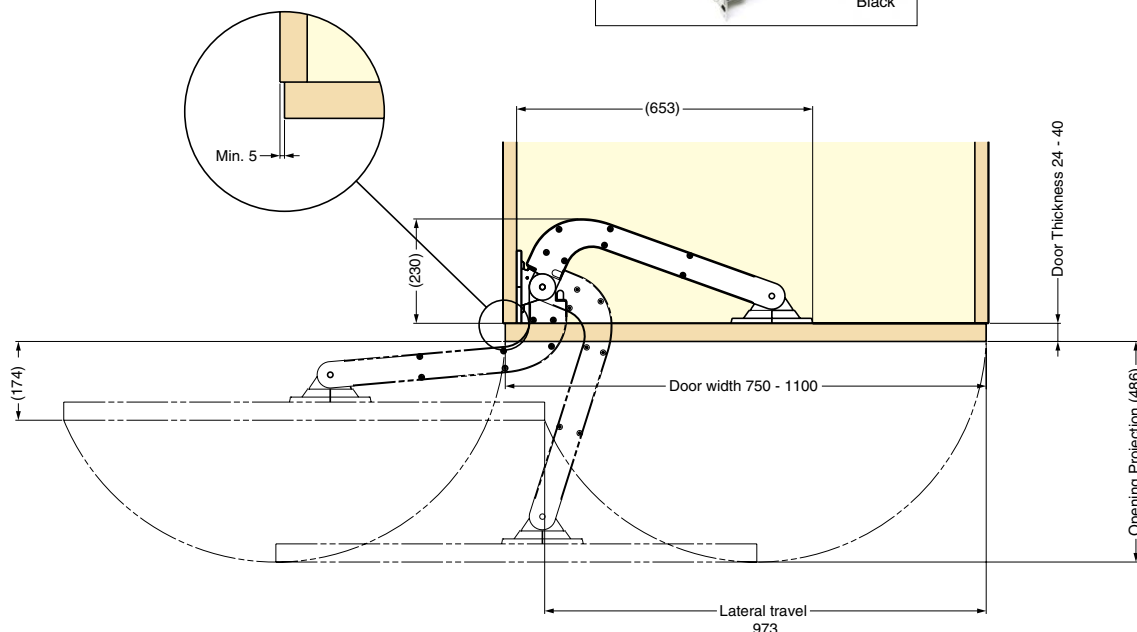
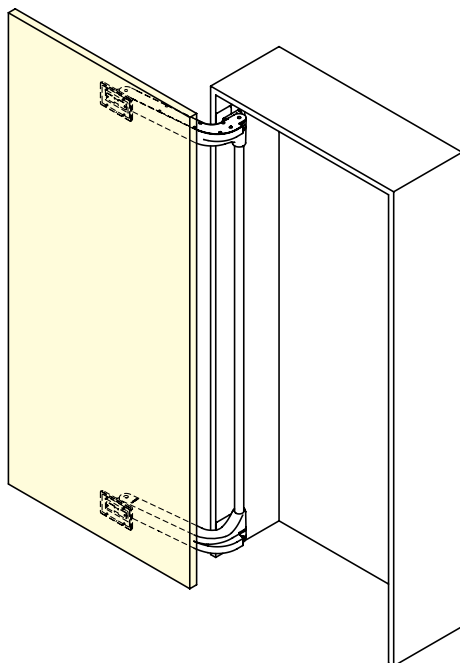
Applicable Door Load Capacity

| Open/Close cycles | Door sagging | |
|-------------------|--------------|-------|
| | 3 mm | 5 mm |
| 60,000 | 70 kg | 90 kg |
| 80,000 | 50 kg | 80 kg |
| 100,000 | 40 kg | 70 kg |

Colour variation



[Video Link](#)
[Features](#) [Use Example](#)



WARDROBE & CABINET DOOR HARDWARE

MONOFLAT LIN-X HINGE (HEAVY DUTY)

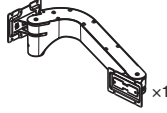
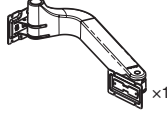
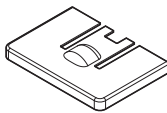
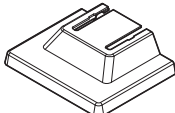
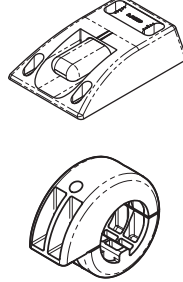


Parts Set (Per Door) **Necessary Parts**

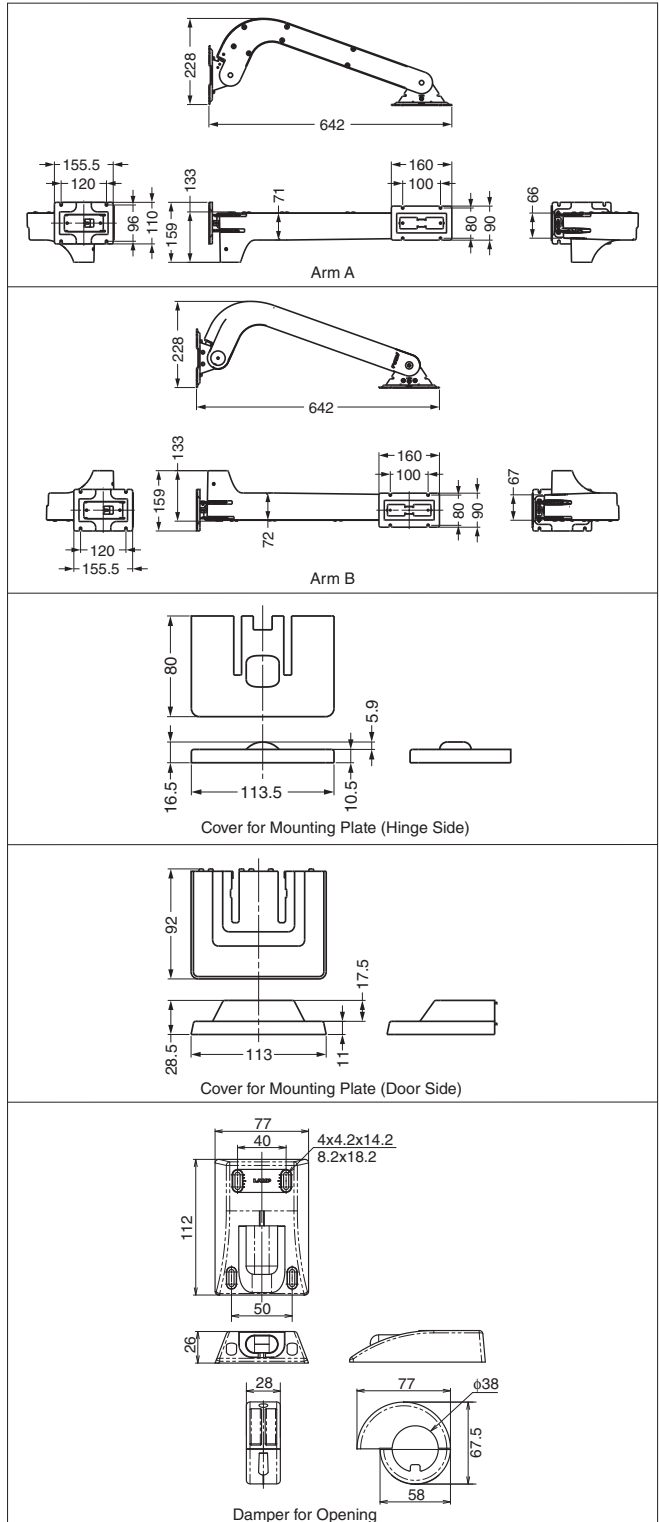
| Item Code | Item Name |
|-------------|---------------|
| 250-034-706 | *LIN-X1000-WT |
| 250-042-288 | LIN-X1000-BL |

Parts Included

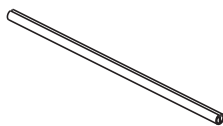
*The item name has been changed.

| No. | Qty | Part Name | Description |
|-----|-------|---|--|
| 1 | 1 pc |  Arm A | <ul style="list-style-type: none"> Material Aluminium Alloy Finish Powder Coating/ White/Black |
| 2 | 1 pc |  Arm B | <ul style="list-style-type: none"> Material Aluminium Alloy Finish Powder Coating/ White/Black |
| 3 | 4 pcs |  Cover for Mounting Plate (Hinge Side) | <ul style="list-style-type: none"> Material ABS Resin Finish White/Black |
| 4 | 4 pcs |  Cover for Mounting Plate (Door Side) | <ul style="list-style-type: none"> Material ABS Resin Finish White/Black |
| 5 | 1 pc |  Damper for Opening | <ul style="list-style-type: none"> Material PBT Resin Finish White/Black |

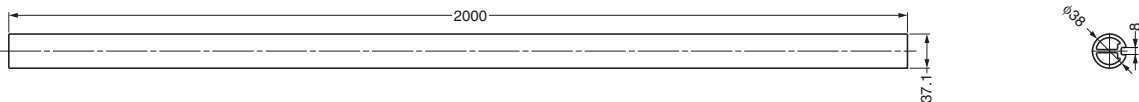
Parts Drawing



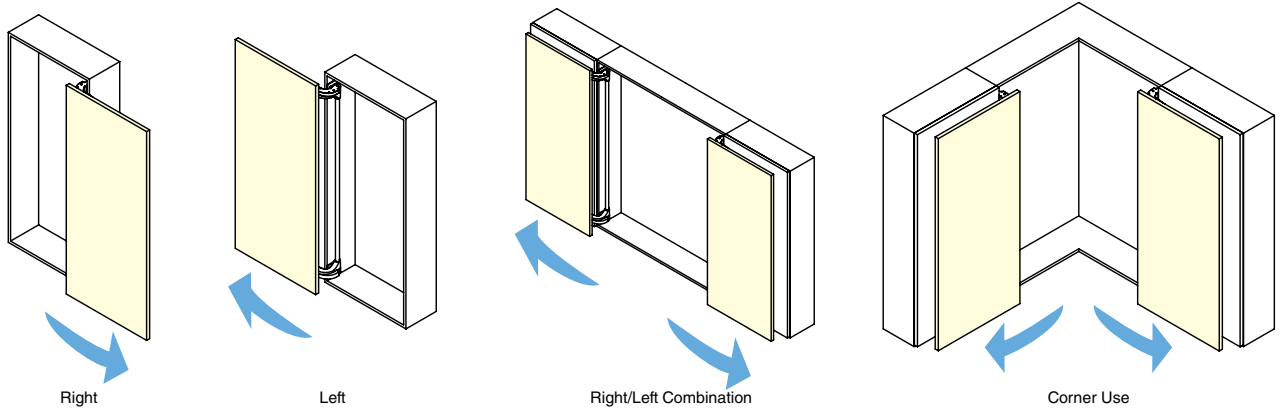
Connecting Bar **Necessary Parts**

| No. | Qty | Part Name | Item Code | Item Name | Description |
|-----|------|---|-------------|--------------------|---|
| 5 | 1 pc |  Connecting Bar | 250-034-707 | *LIN-X100-L2000-WT | <ul style="list-style-type: none"> Material Aluminium Extrusion Finish White Enamel |
| | | | 250-042-289 | LIN-X100-L2000-BL | <ul style="list-style-type: none"> Material Aluminium Extrusion Finish Black Anodized |

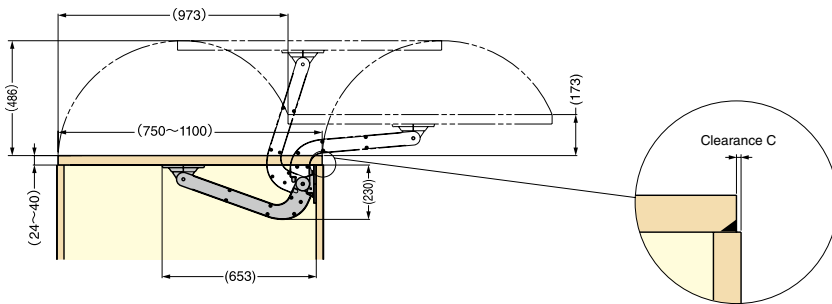
*The item name has been changed.



Various Applications

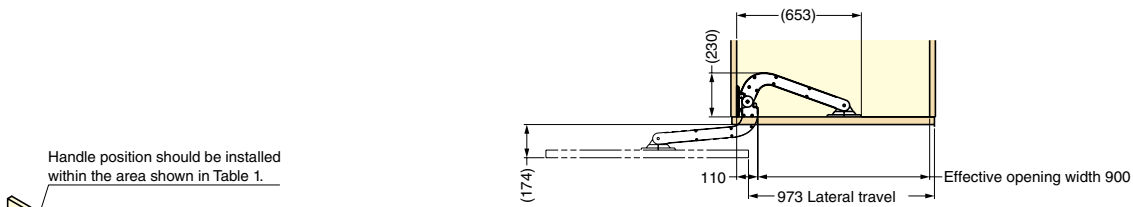


Door arc



*Please adjust Clearance C depending on the handle position.
For detail, refer to a manual.

Installation



Handle position should be installed within the area shown in Table 1.

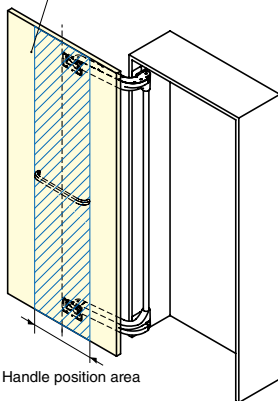
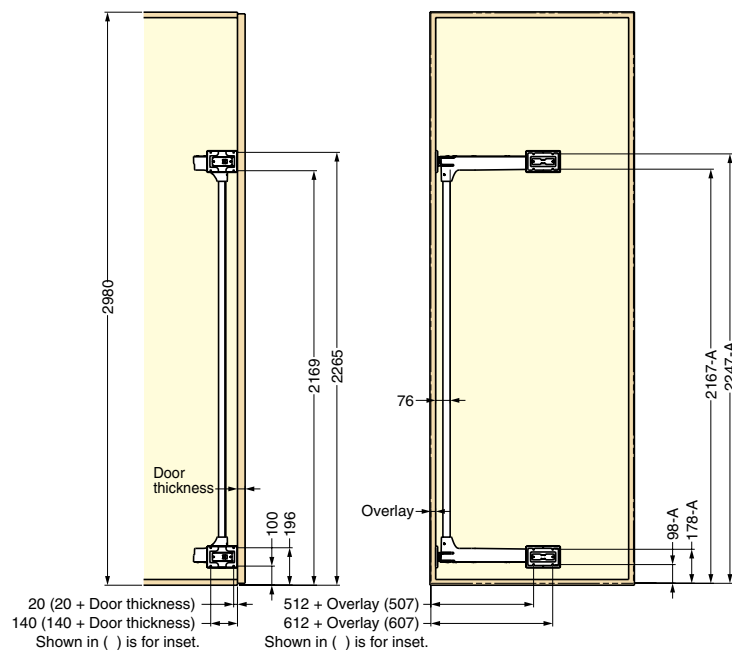


Table 1 : Handle position area [mm]

| Door width | Clearance C | | |
|------------|-------------|---------|---------|
| | 10 | 15 | 20 |
| 750-900 | Max.300 | Max.350 | Max.500 |
| 900-1000 | Max.200 | Max.250 | Max.400 |
| 1000-1100 | Max.100 | Max.150 | Max.300 |

*Door thickness : 40mm
*Handle position area is centered on the door width.



The table below shows the adjustment factor A depending on the door weight. Ensure that you adjust according to your door weight.

| Door weight | Adjustment factor A |
|-------------|---------------------|
| 20kg | 2mm |
| 30kg | 3.5mm |
| 40kg | 5mm |
| 50kg | 6.5mm |
| 60kg | 8mm |
| 70kg | 9.5mm |
| 80kg | 11mm |
| 90kg | 12.5mm |

*If you use a thick carpet, ensure that there is enough clearance for free movement of the door.
*A ± 7mm height adjustment is possible after installation. For detail, please refer to a manual.

A: Adjustment factor