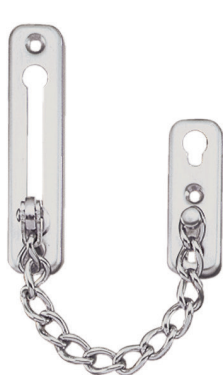


DOOR CHAIN



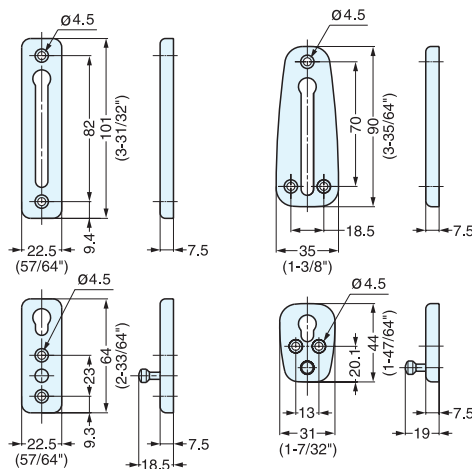
CS



CS-1000



CS-2000



CS-1000

CS-2000

Item No.	Weight (g)	Box (pcs)	Carton (pcs)	Material	Finish
CS-1000	115	15	150	304 Stainless Steel	Satin
CS-2000	120				

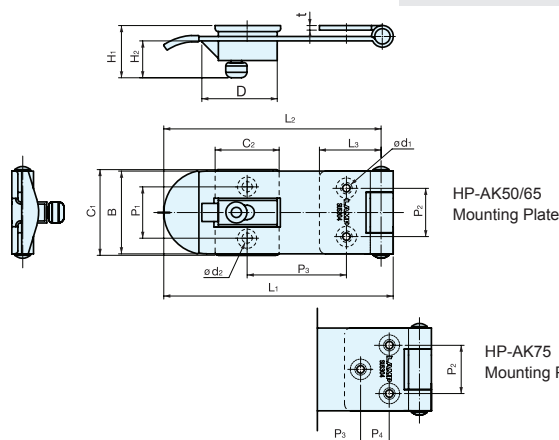
LATCH HASP



HP-AK



- Hasp with built-in latch.
- Snap on the flap to keep latch closed.
- Slide the knob to release.
- Flap is spring loaded in open direction.
- Plastic cap on end to soften the opening sound.



Item No.	L_1	L_2	L_3	B	P_1	P_2	P_3	P_4	H_1	H_2	Material	Finish
HP-AK50	51 (2-1/64")	48	13.0	22.2 (7/8")	13.5	12	19	-	16.6	11.2	304 Stainless Steel	Polished
HP-AK65	66 (2-19/32")	63	19.0	24.2 (61/64")		14	28	-				
HP-AK75	76 (2-63/64")	72	24.8	27.4 (1-3/64")	17.0	16	35	9.5	17.5	12.2	PVC (Cover)	Black

Item No.	C_1	C_2	D	t	d_1	d_2	Weight (g)	Box (pcs)	Carton (pcs)
HP-AK50	23.0 (29/32")	18.0	20.5	1.2	3.0	2.3	22	25	250
HP-AK65					3.2	3.3	35	20	200
HP-AK75	27.6 (1-3/32")	21.2	25.0	1.5	3.8	3.4	48	15	150