

MULTIPLE MOTION DOOR SYSTEM (FOR GLASS PANELS)

Multiple Motion Door System

MultiMo FLAT®

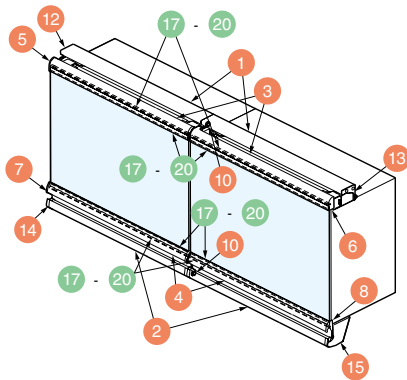
WARDROBE & CABINET DOOR HARDWARE

FOR GLASS DOORS

MULTIPLE MOTION DOOR SYSTEM



Mirror door can be used.



Glass Width	295, 445, 595, *895 mm
Glass Height	300 - 900 mm
Glass Thickness	5 mm
Door Weight	1.5 - 6.7 kg (Per One Door)
Door Type	<input checked="" type="checkbox"/> Connecting Multiple Sliding Units (Overlay)

*When glass width is 895 mm, glass height is Max. 600 mm.

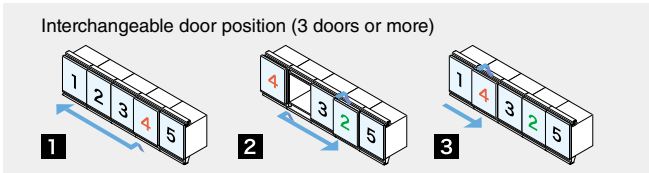
Features

Cabinet doors can be rearranged freely, like puzzle pieces.

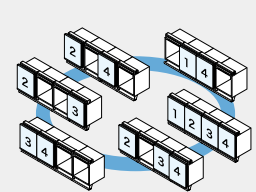
- Sleek Appearance
All doors are flush with each other when closed. Visually appealing, consistent design.
- Interchangeable Door Position
Opened doors can slide and be repositioned anywhere where there is space on the supporting rails.
- Extendible
Multiple doors can be added by connecting multiple sliding units.
- Soft & Smooth Movement
Built in damper for soft and smooth closing movement.
- Small Space Required
Great solution for shallow cabinets, hardware requires only 84mm depth.

Remarks

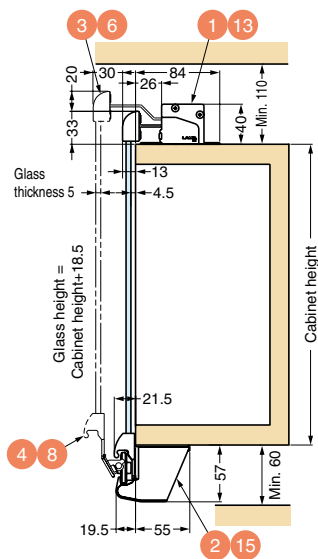
- Recommended using 3 or more doors for interchangeable door feature.
- Maximum door height is twice of door width.
- Wooden door version is also available (P.618).
(Cannot be used together with wooden version on one cabinet.)



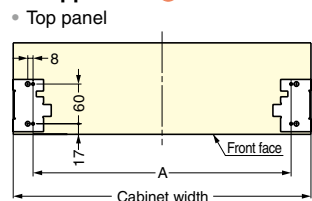
Door opening example (4 doors)



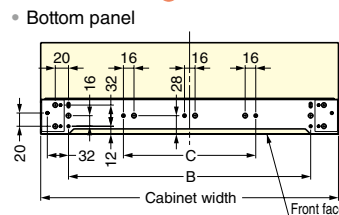
Provides various opening patterns. By adding more doors, the more opening patterns will be possible.



Mounting Application for Upper Rail ①



Mounting Application for Lower Rail ②



Cabinet Width	A	B	C
300	240	216	-
450	390	366	-
600	540	516	200
900	840	816	300

Parts Set (Per Door)		Necessary Parts Same qty as door is necessary. Please order same model for a cabinet.	
Set Name	Item Code	Item Name	
a Parts Set (Glass Width 295 mm, Glass Weight 1.5 - 2.4 kg)	250-014-166	MFS-G300/S2	
b Parts Set (Glass Width 445 mm, Glass Weight 1.3 - 2.2 kg)	250-014-167	MFS-G450/S2	
c Parts Set (Glass Width 445 mm, Glass Weight 2.3 - 3.2 kg)	250-014-168	MFS-G450/S3	
d Parts Set (Glass Width 595 mm, Glass Weight 2.1 - 3.0 kg)	250-014-169	MFS-G600/S3	
e Parts Set (Glass Width 595 mm, Glass Weight 3.1 - 4.0 kg)	250-014-170	MFS-G600/S4	
f Parts Set (Glass Width 595 mm, Glass Weight 4.1 - 5.0 kg)	250-014-171	MFS-G600/S5	
g Parts Set (Glass Width 895 mm, Glass Weight 3.8 - 4.7 kg)	*250-014-172	MFS-G900/S5	
h Parts Set (Glass Width 895 mm, Glass Weight 4.8 - 5.7 kg)	*250-014-173	MFS-G900/S6	
i Parts Set (Glass Width 895 mm, Glass Weight 5.8 - 6.7 kg)	*250-014-174	MFS-G900/S7	

Parts Included

No.	Qty	Part Name	Dimensions	Description
1	1 pc	Upper Rail		<ul style="list-style-type: none"> Material Aluminium Alloy/Steel Finish Anodized /Clear Zinc Chromate
2	1 pc	Lower Rail		<ul style="list-style-type: none"> Material Aluminium Alloy/Steel /Polyacetal (POM) Finish Anodized /Clear Zinc Chromate
*() is for Glass Width 595 mm, 895 mm.				
3	1 pc	Upper Door Frame		<ul style="list-style-type: none"> Material Aluminium Alloy/Steel Finish Anodized /Clear Zinc Chromate
4	1 pc	Lower Door Frame		<ul style="list-style-type: none"> Material Aluminium Alloy/Steel /Polyacetal (POM) Finish Anodized /Clear Zinc Chromate
5	1 pc	Door End Cap (Upper Left)		<ul style="list-style-type: none"> Material ABS Colour Grey
6	1 pc	Door End Cap (Upper Right)		<ul style="list-style-type: none"> Material ABS Colour Grey
7	1 pc	Door End Cap (Lower Left)		<ul style="list-style-type: none"> Material ABS Colour Grey
8	1 pc	Door End Cap (Lower Right)		<ul style="list-style-type: none"> Material ABS Colour Grey
9	4 pcs	Glass Fixing Holding Gasket		<ul style="list-style-type: none"> Material Urethane Sponge Colour Black

No.	Qty	Part Name	Dimensions	Description
10	2 pcs	Connecting Pin		<ul style="list-style-type: none"> Material Stainless Steel
11	11 pcs (12 pcs)	Binding Head Tapping Screw 3.5x15	-	-

Qty: () is for MFS-G600/S3, MFS-G600/S4, MFS-G600/S5, MFS-G900/S5, MFS-G900/S6 and MFS-G900/S7.

*Made to order.

End Cap Set (Per Door)		Necessary Parts 1 set is necessary for 1 unit.	
Set Name	Item Code	Item Name	
End Cap Set	250-129-555	MFS-ED	

Parts Included

No.	Qty	Part Name	Dimensions	Description
12	1 pc	End Cap L		<ul style="list-style-type: none"> Material Steel Finish Grey
13	1 pc	End Cap R		<ul style="list-style-type: none"> Material Steel Finish Grey
14	1 pc	Lower Rail Cover L		<ul style="list-style-type: none"> Material ABS Finish Grey
15	1 pc	Lower Rail Cover R		<ul style="list-style-type: none"> Material ABS Finish Grey
16	4 pcs	Countersunk Head Tapping Screw 3.5x12	-	<ul style="list-style-type: none"> Material Stainless Steel

Optional Parts		No.		Item Code	Part Name	Dimensions	Description															
17	MFS-PK300	250-014-208	2 pcs.	2 pcs.	Holding Gasket (Glass Width 295 mm)		When connecting glasses by double tape, please order one set per glass. Select 17 - 20 depend on glass width.															
								Gasket														
18	MFS-PK450	250-014-209	2 pcs.	2 pcs.	Holding Gasket (Glass Width 445 mm)		Glass Protection Holding Gasket															
								Gasket														
19	MFS-PK600	250-014-210	2 pcs.	2 pcs.	Holding Gasket (Glass Width 595 mm)		Gasket															
								Material Ethylene Propylene Rubber (EPDM)														
20	MFS-PK900	250-014-211	2 pcs.	2 pcs.	Holding Gasket (Glass Width 895 mm)		Glass Protection Holding Gasket															
								Material Chloroprene Rubber (CR)														
						<table border="1"> <thead> <tr> <th></th> <th>L1</th> <th>L2</th> </tr> </thead> <tbody> <tr> <td>17</td> <td>305</td> <td>275</td> </tr> <tr> <td>18</td> <td>455</td> <td>425</td> </tr> <tr> <td>19</td> <td>605</td> <td>575</td> </tr> <tr> <td>20</td> <td>905</td> <td>875</td> </tr> </tbody> </table>		L1	L2	17	305	275	18	455	425	19	605	575	20	905	875	<ul style="list-style-type: none"> Colour Black
	L1	L2																				
17	305	275																				
18	455	425																				
19	605	575																				
20	905	875																				

WARDROBE & CABINET DOOR HARDWARE

FOR GLASS DOORS

MULTIPLE MOTION DOOR SYSTEM