

ROTATING CABINET SYSTEM



RB-600



Cabinet Width	Max. 680 mm
Cabinet Height	Max. 1925 mm
Overall Height	RB-600-NC...Cabinet Height+230 mm RB-600-ST ...Cabinet Height+435 mm RB-600-CH...Cabinet Height+660 mm
Cabinet Depth	300 mm
Load Capacity	740 N (75.5 kgf) (Including Cabinet Weight)

Features

- Innovative "reversible" cabinet system rotates 180° for easy access to both sides.
- 3 model types available: Inset Wall Type (NC), Floor Type (ST), and Floor-to-Ceiling Type (CH).
- Stainless steel frame can be cut in height to accommodate cabinets of various heights.
- Useful for a variety of storage and display installations in residential and retail settings.

[Video Link](#)



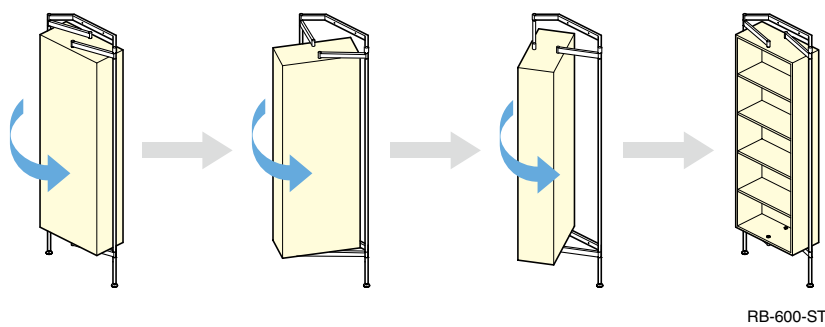
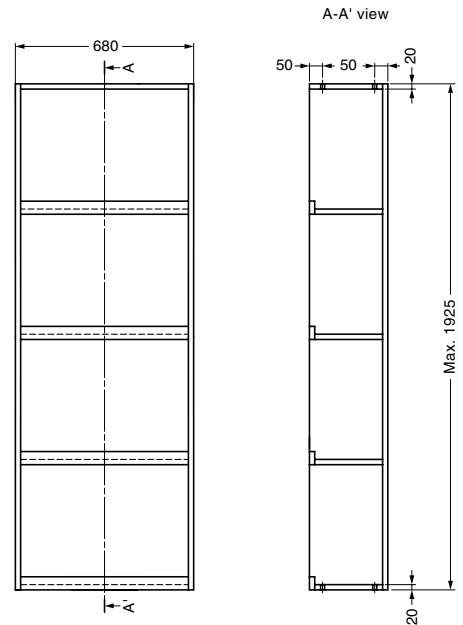
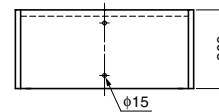
Application Example

Bathroom cabinet, living room, kitchen, dressing room, store etc.

Remarks

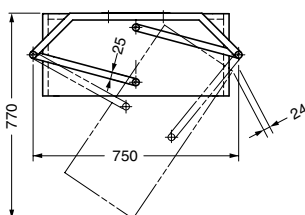
Please use the special tool Z059 (sold separately for proper installation).

Cabinet Dimensions



RB-600-ST

Rotating Dimensions (cabinet width 680 mm)



Body

Item Code	Item Name	Type	Material	Finish
110-022-225	RB-600-NC	Inset Wall/Cabinet Type	Stainless Steel (SUS304)	Satin
110-022-224	RB-600-ST	Floor Type	Stainless Steel (SUS304)	Satin
110-022-223	RB-600-CH	Floor-to-ceiling Type	Stainless Steel (SUS304)	Satin

Exclusive Tool (Sold Separately)

Item Code	Item Name
270-180-388	Z059

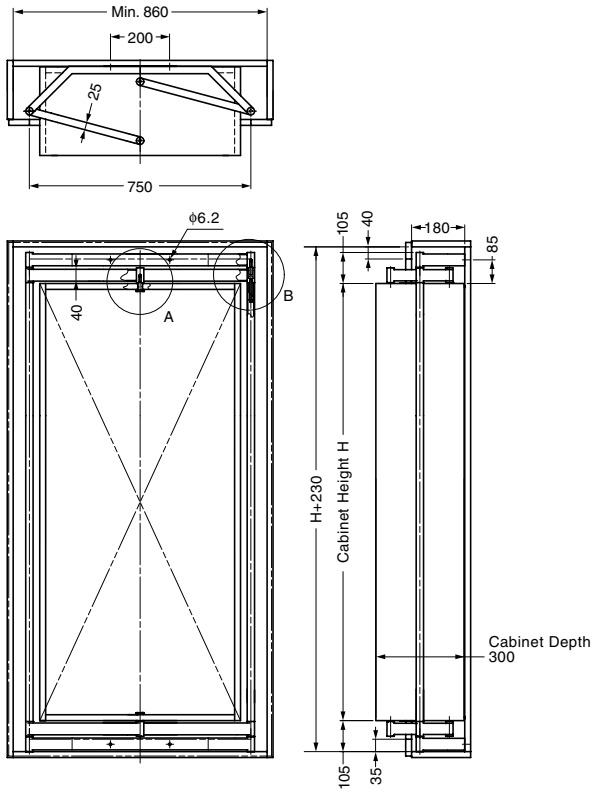


WARDROBE & CABINET DOOR HARDWARE

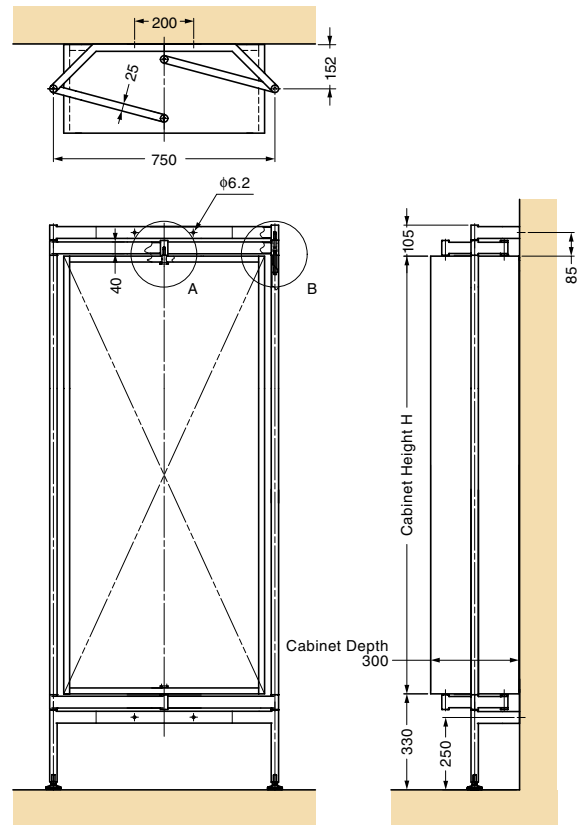
ROTATING CABINET SYSTEM

Installation Example

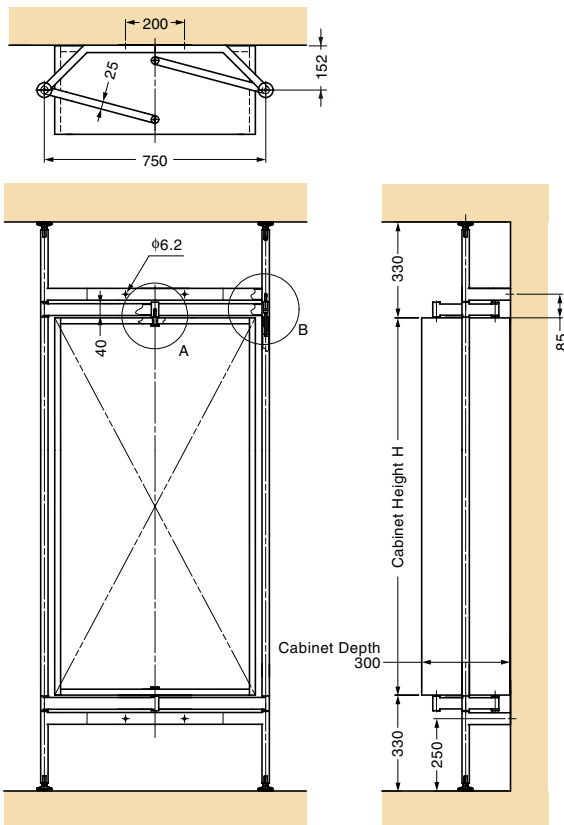
RB-600-NC Inset wall/cabinet type



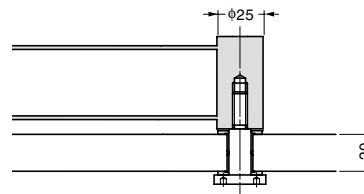
RB-600-ST Floor type



RB-600-CH Floor-to-ceiling type



Close-up of A



Close-up of B

