

DROP-IN TYPE CORNER CONNECTOR

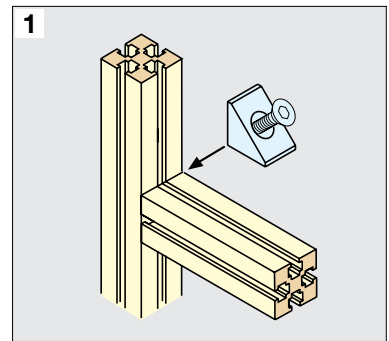
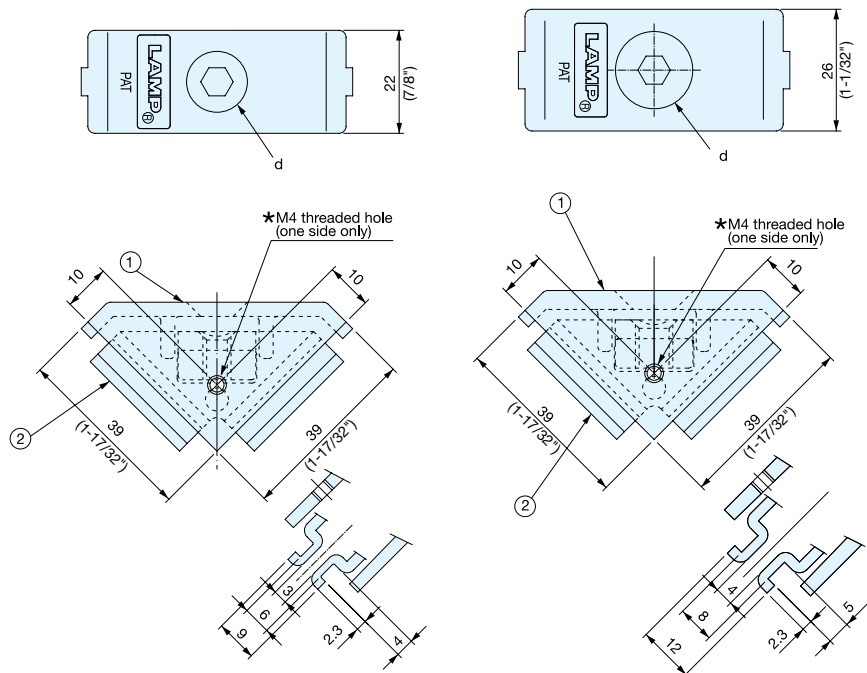
PJ-60A, PJ-80A



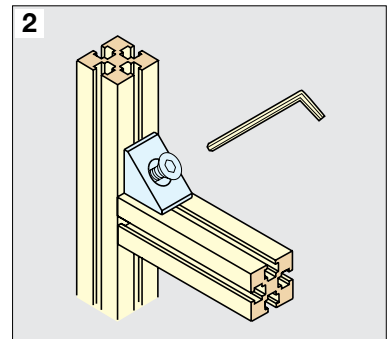
- Unique drop-in design saves frame assembly time.
- Automatic self-aligning, just tighten screw to connect frames.
- Ideal for assemblies where slide-in method is not practical.
- M4 threaded hole provided on AT type for panel installation.
- PJ-60A is designed for 6 mm single slot frames.
- PJ-80A is designed for 8 mm single slot frames.

PJ-60AT (For 6mm slot frame)

PJ-80AT (For 8mm slot frame)



1. Simply insert PJ fastener into the slot.



2. Tighten flat head screw with allen key.

No.	Part Name	Material	Finish
①	Cover	Aluminum Alloy	Silver
②	Clamp	Steel	Yellow Zinc Chromate

Item No.	*Threaded Hole	d	Weight (g)	Box (pcs)	Carton (pcs)
PJ-60A	Without	M6 × 16	36	40	400
PJ-60AT	M4				
PJ-80A	Without	M8 × 16	96	20	240
PJ-80AT	M4				