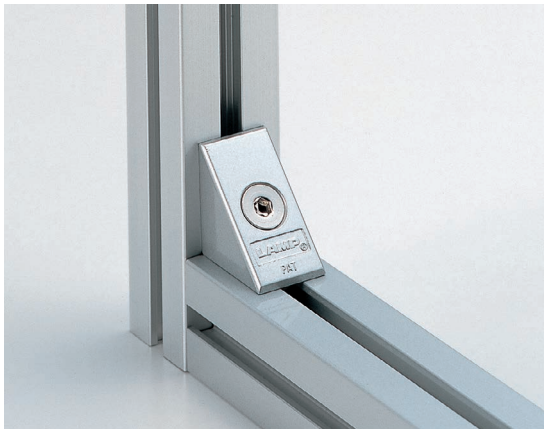


CORNER CONNECTOR PJ One-touch Connector For Single-groove



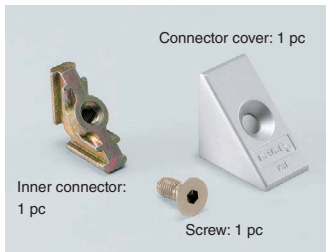
- Used for easily installing single-groove aluminium frames to each other.
- Easy connection of aluminium frames with one screw.
- Unique installation system shortens working time.
- Widely applied to various aluminium frames.
- Only 3 parts.
- Clean appearance.
- Type for 4mm wide groove also available by made to order.

[Remarks]

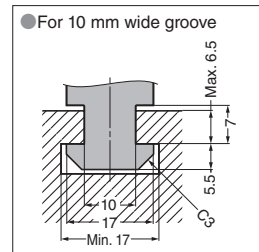
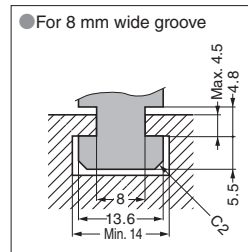
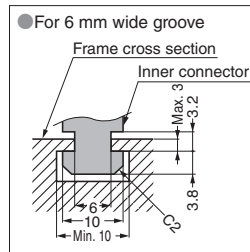
- Aluminium frames to be connected should be of the same size and shape.
- Applicable frame size is for reference. Please check with actual item.
- This type cannot be post-installed. It is necessary to insert the inner connector into the aluminium frame to be connected in advance.
- Recommended tightening torque varies depending on installation conditions. Determine torque value by test before use.

MAGNETIC
CATCHESKNUCKLE
CATCHES
& TENSION
CATCHESTOUCH
LATCHESLEVER
LATCHESSLIDE /
BARREL
BOLTSDRAW
LATCHESPUSH LOCK
FASTENERS
& KNOB
FASTENERSALUMINIUM
FRAME
CORNER
CONNECTORSDOOR
DAMPERS

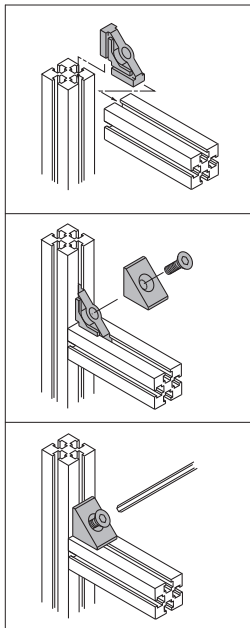
[Parts]



[Applicable Frame Reference Dimensions]



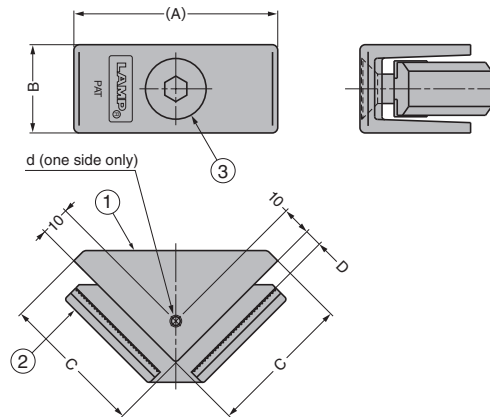
[Installation]



1. Insert the AS nut into the groove of the aluminium frame.

2. Put the connector cover on the inner connector.

3. Tighten with the supplied mounting screw.

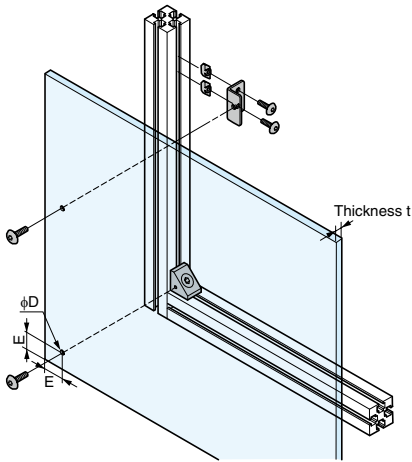


No.	Part Name	Material	Finish
①	Connector Cover	Aluminium Alloy (ADC)	Silver Enamel Finish
②	Inner Connector	Zinc Alloy (ZDC)	Coloured Zinc Chromate (trivalent)
③	Hexagon Socket Countersunk Head Screw	Steel	Nickel

RHS	CAD	Item Code	Item Name	d	Groove width	A	B	C	D	③ Size	Recommended Tightening Torque N·m	Recommended Tightening Torque kgf·cm	Weight (g)	Box (pcs)	Carton (pcs)
-	3D	120-040-456	PJ-60	w/o	For 6 mm	41	20	29	1.5-3	M6×16	6	61.2	38	40	400
+	3D	120-040-554	PJ-60T	M4									35	40	400
-	3D	120-040-490	PJ-80	w/o	For 8 mm	55	25	39	1.5-4.5	M8×20	13	133	96	20	240
+	3D	120-040-555	PJ-80T	M4									96	20	240
+	3D	120-040-551	PJ-100	w/o	For 10 mm	70	30	49	3.5-6.5	M10×25	26	265	201	15	60
+	3D	120-040-550	PJ-100T	M4									200	15	60

[Panel Installation Dimensions]

Processing dimensions when installing the panel inside the aluminium frame.



	Frame Size 30 × 30 mm	Frame Size 40 × 40 mm	Frame Size 45 × 45 mm	Frame Size 30 × 60 mm	D	E
	Thickness t	Thickness t	Thickness t	Thickness t		
PJ-60T	5	-				
PJ-80T	2.5	7.5				
PJ-100T	-	5				
PJ-60AT	4	-	-	-	6	9
PJ-60ATE						
PJ-80AT	2	7				
PJ-80ATE						
PJ-80HA	5	5			8.5	11
PJ-100HA			5			
PJ-60W30T	-			5	6	9
PJ-80W30T		-	-	2.5		

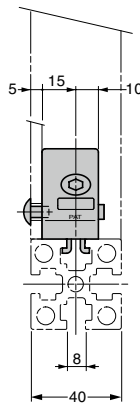
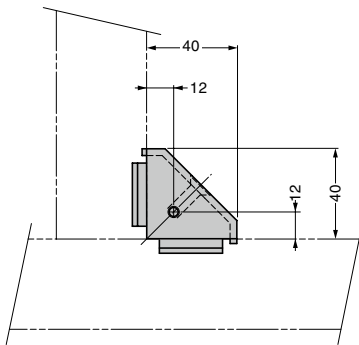
※Installation example with 1 mm gap provided between panel and frame.

CORNER CONNECTOR PJ One-touch Connector Post-installation Type Installation Example

PJ-80HA 1

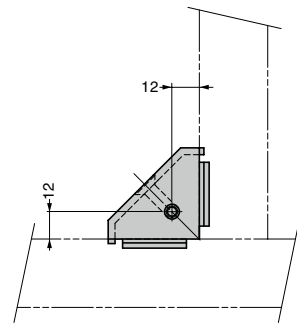
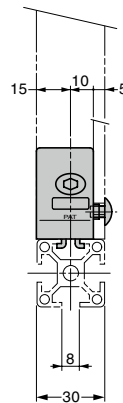
● Frame size 40 × 40

Groove width 8 mm type



● Frame size 30 × 30

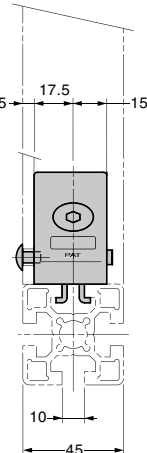
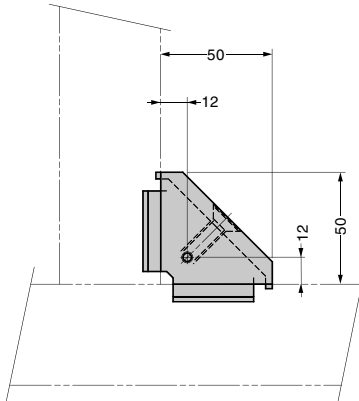
Groove width 8 mm type



PJ-100HA 1

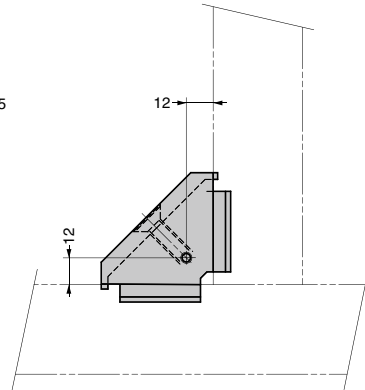
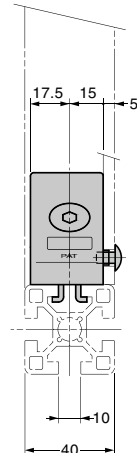
● Frame size 45 × 45

Groove width 10 mm type



● Frame size 40 × 40

Groove width 10 mm type



Refer to 1 : P.701