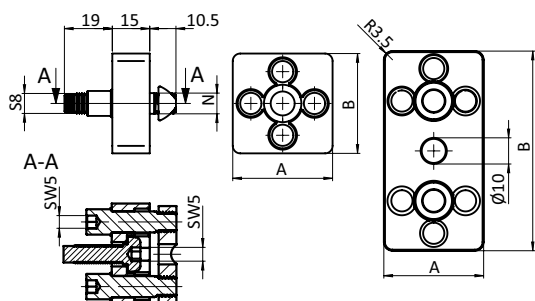



**PLATTENVERBINDER 40 (SET)**
**PLATE CONNECTOR 40 (SET)**

<b>Ausführung</b>	Zinkdruckguss, Nut 8	<b>Model</b>	Zinc die-cast, slot 8
<b>Beschreibung</b>	zum Herstellen einer T-Verbindung zwischen zwei Aluminiumprofilen	<b>Description</b>	To tee connect two aluminum profiles
<b>Material</b>	Plattenverbinder: Zinkdruckguss Montageset: Stahl	<b>Material</b>	Plate Connector: Zinc die-cast Assembly set: Steel
<b>Montageset 1</b>	1 selbstfurchende Schraube SF7 × 25, 1 Doppelnutstein - Nut 8 - M8, 2 Schaftschrauben M8	<b>Assembly Set 1</b>	2 self-tapping screws SF7 × 25, 1 double T-slot nut - Nut 8 - M8, 2 shaft screws M8
<b>Montageset 2</b>	2 selbstfurchende Schrauben SF7 × 25, 1 Doppelnutstein - Nut 8 - M8, 2 Schaftschrauben M8	<b>Assembly Set 2</b>	2 self-tapping screws SF7 × 25, 1 double T-slot nut - Nut 8 - M8, 2 shaft screws M8
<b>Montageset 3</b>	2 selbstfurchende Schrauben SF7 × 25, 2 Doppelnutstein - Nut 8 - M8, 4 Schaftschrauben M8	<b>Assembly Set 3</b>	2 self-tapping screws SF7 × 25, 2 double T-slot nut - Nut 8 - M8, 4 shaft screws M8
<b>Liefereinheit</b>	10 Stück	<b>Pack Quantity</b>	10 pieces



Plattenverbinder <i>Plate Connector</i>	A × B [mm]	N	Gewicht [g] <i>Weight [g]</i>	Profil <i>Profile</i>	Teil-Nr. <i>Part #</i>
blank, inkl. Montageset 1 <i>Plain, incl. assembly set 1</i>	40 × 40	8	135.0	I	099E40400808RS01
blank, inkl. Montageset 2 <i>Plain, incl. assembly set 2</i>	40 × 80	8	242.0	I	099E40800808RS01
blank, inkl. Montageset 3 <i>Plain, incl. assembly set 3</i>	40 × 80	8	266.0	I	099E40800808RS02
alufarbig, inkl. Montageset 1 <i>Alu color, incl. assembly set 1</i>	40 × 40	8	135.0	I	099E40400808AS01
alufarbig, inkl. Montageset 2 <i>Alu color, incl. assembly set 2</i>	40 × 80	8	242.0	I	099E40800808AS01
alufarbig, inkl. Montageset 3 <i>Alu color, incl. assembly set 3</i>	40 × 80	8	266.0	I	099E40800808AS02