



.....  
**TOGGLE PRESSES**  
**MANUAL, PNEUMATIC & RACK**  
**AND PINION**

## TOGGLE HAND PRESSES

### TOGGLE HAND PRESS MODEL P600PR

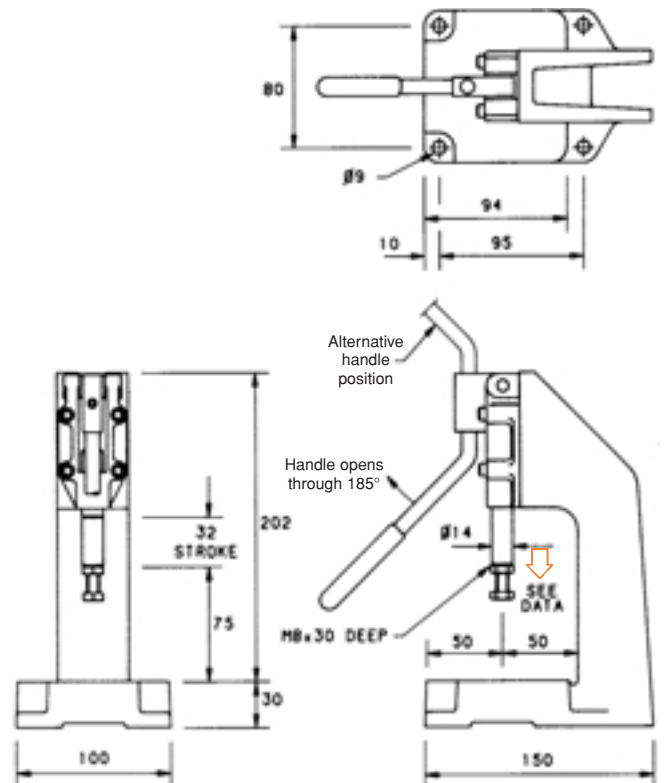


With 14 daN handle force the output force is:

	daN
Fully retracted	470
5 mm extended	110
10 mm	70
15 mm	75
20 mm	80
25 mm	85
30 mm	146
31 mm	190
Fully extended	580

- Type:**  
Bench mounted manual toggle press.
- Nominal holding force:**  
600 daN.
- Weight:**  
3.60 kg.
- Quality Features:**
- S.G. Iron framecasting.
  - precision ground steel plunger.
  - fixed height work head.

All toggle presses achieve their maximum force at the end of the stroke. Therefore Brauer toggle presses are best employed where the full force of the press is only used over a short length at the end of the working stroke; e.g. when punching, riveting, embossing, glueing, etc.



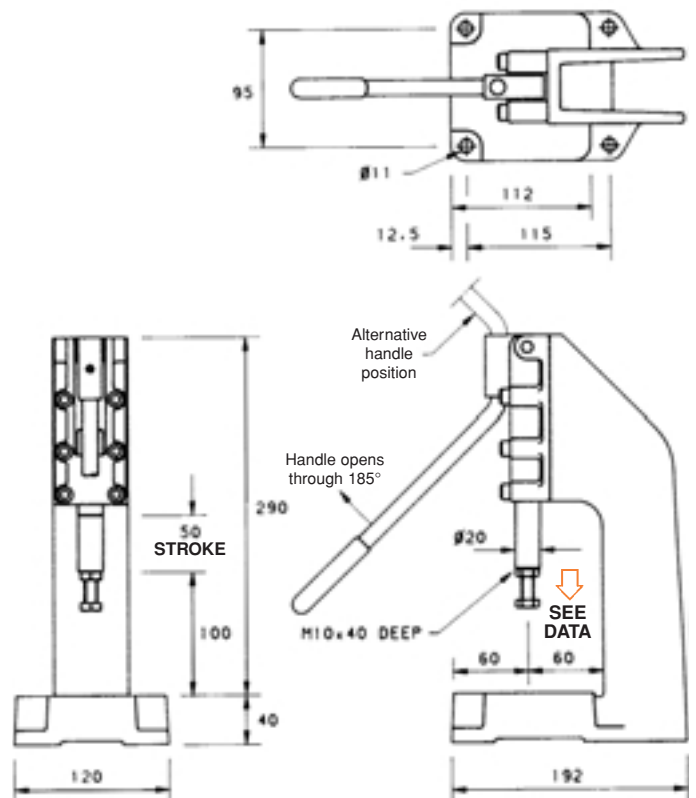
### TOGGLE HAND PRESS MODEL P1200PR



With 15 daN handle force the output force is:

	daN
Fully retracted	705
5 mm extended	167
10 mm	90
15 mm	73
20 mm	70
25 mm	72
30 mm	85
35 mm	100
40 mm	110
45 mm	150
48 mm	220
49 mm	290
Fully extended	930

- Type:**  
Bench mounted manual toggle press.
- Nominal holding force:**  
1200 daN.
- Weight:**  
7.35 kg.
- Quality Features:**
- S.G. Iron framecasting.
  - precision ground steel plunger.
  - fixed height work head.



## TOGGLE HAND PRESSES

### TOGGLE HAND PRESSES

#### MODEL P2500PR



With 17 daN handle force the output force is:	daN
Fully retracted	1000
10 mm extended	100
20 mm "	72
30 mm "	60
40 mm "	70
50 mm "	88
60 mm "	118
70 mm "	190
72 mm "	230
74 mm "	353
Fully extended	1100

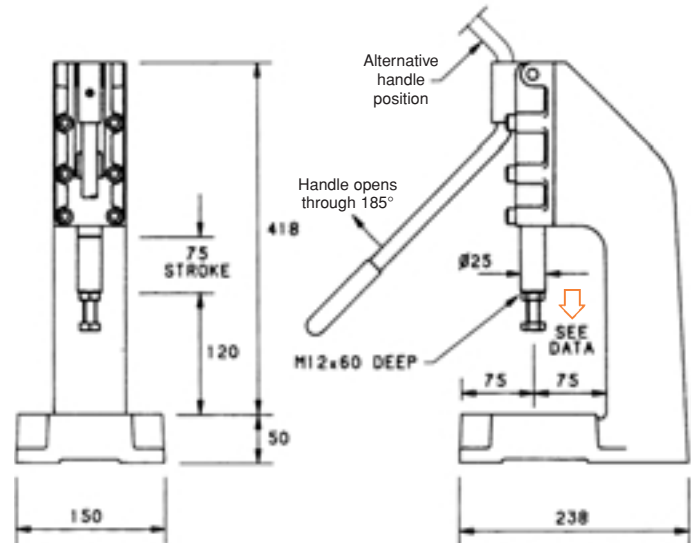
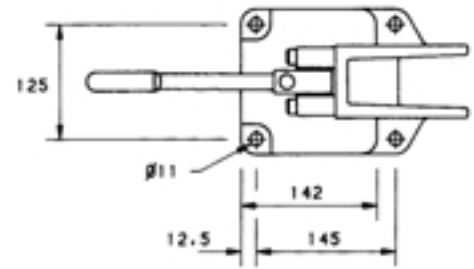
**Type:**  
Bench mounted manual toggle press.

**Nominal holding force:**  
2500 daN.

**Weight:**  
15.50 kg.

Quality Features:

- S.G. Iron framecasting.
- precision ground steel plunger.
- fixed height work head.



### TOGGLE HAND PRESSES

#### MODEL TPR 1



With 13 daN handle force the output force is:	daN
Fully retracted	48
5 mm extended	45
10 mm "	42
15 mm "	42
20 mm "	45
25 mm "	49
30 mm "	54
35 mm "	75
38 mm "	102
39 mm "	143
Fully extended	500

**Optional Extras: please mention when ordering**

Table Bore 10 <sup>H7</sup> mm	TB
Locking Device	VS
Stroke Counter	Z

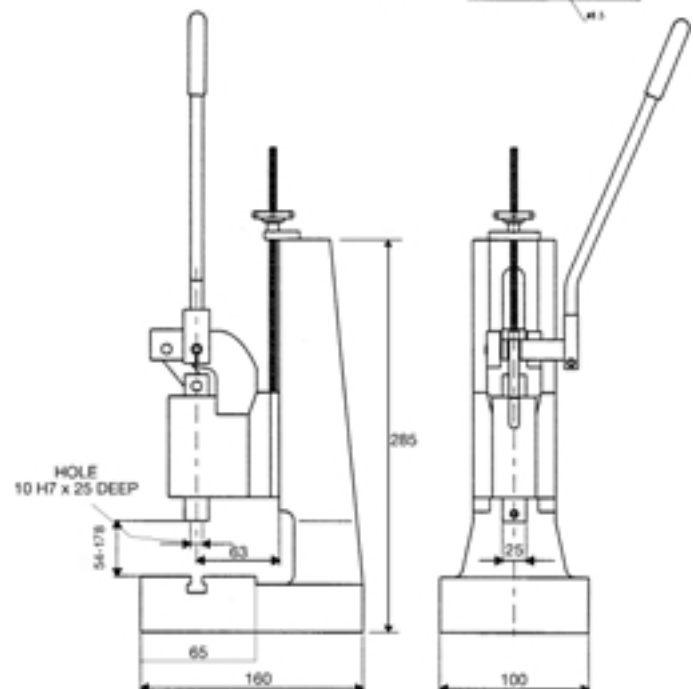
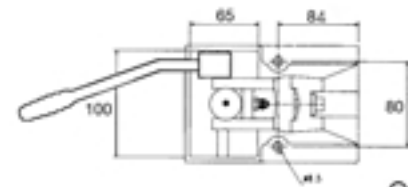
**Type:**  
Bench mounted toggle press

**Nominal holding force:**  
500 daN

**Weight:**  
10 kg

Quality Features:

- hardened, ground ram.
- long-design, honed ram.
- ground table, with T-slot.
- adjustable working head height.



## TOGGLE HAND PRESSES

### TOGGLE HAND PRESSES

#### MODEL TPR 2



With 15 daN handle force the output force is:	daN
Fully retracted	76
5 mm extended	74
10 mm "	65
15 mm "	65
20 mm "	72
25 mm "	80
30 mm "	98
35 mm "	125
38 mm "	200
39 mm "	255
Fully extended	750

**Optional Extras: please mention when ordering**

Table Bore 12 <sup>H7</sup> mm	TB
Locking Device	VS
Stroke Counter	Z

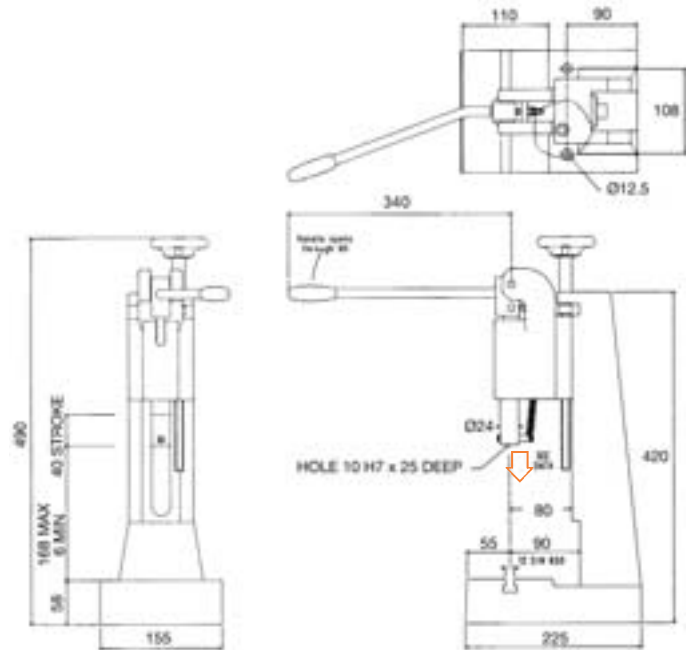
**Type:**  
Bench mounted toggle press

**Nominal holding force:**  
750 daN

**Weight:**  
19 kg

Quality Features:

- hardened, ground ram.
- long-design, honed ram.
- ground table, with T-slot.
- adjustable working head height.



### TOGGLE HAND PRESSES

#### MODEL TPR 3



With 20 daN handle force the output force is:	daN
Fully retracted	145
5 mm extended	135
10 mm "	130
15 mm "	130
20 mm "	130
25 mm "	140
30 mm "	160
35 mm "	230
38 mm "	325
39 mm "	440
Fully extended	1400

**Optional Extras: please mention when ordering**

Table Bore 12 <sup>H7</sup> mm	TB
Stroke Counter	Z

**Type:**  
Bench mounted toggle press

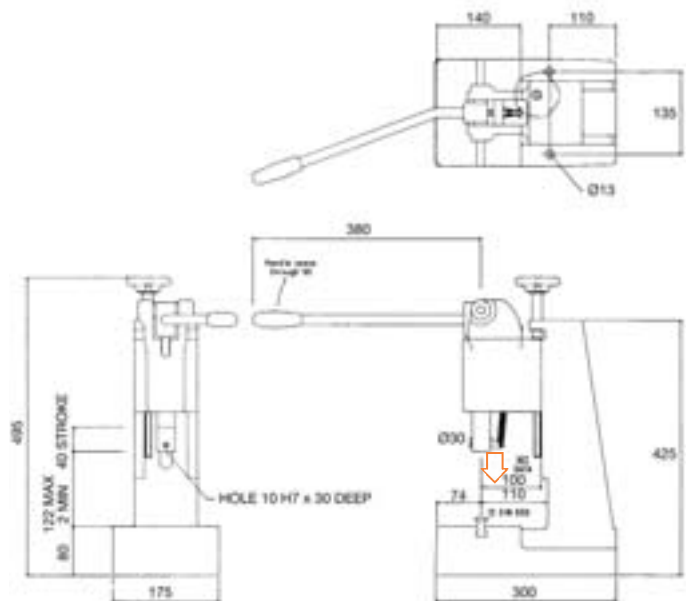
**Nominal holding force:**  
1400 daN

**Weight:**  
39 kg

Quality Features:

- hardened, ground ram.
- long-design, honed ram.
- ground table, with T-slot.
- adjustable working head height.

The **extra powerful** hand toggle presses in the TPR 3 series are especially suited to the often changing demands found in tool making and general workshops. Their high capacity up to 15 kN allow for flexible use in various applications.



## TOGGLE HAND PRESSES

### TOGGLE HAND PRESSES

#### MODEL RPP 1



With 18 daN handle force the output force is 150 daN

Capacity	kN	1,5
	kgf	150
Working Stroke	mm	40
Clearance	mm	63
Daylight	mm	54-178
Table Size	mm	100x65
T-Slot width to DIN 650	mm	10
Ram Bore Øx depth	mm	10 <sup>H7</sup> x25
Ram Ø	mm	20
Space required	mm	110x160
Weight	kg	8,5

**Optional Extras: please mention when ordering**

Table Bore 12 <sup>H7</sup>	mm	TB
Micrometer Screw Gauge	MICRO	Z
Stroke Counter		Z

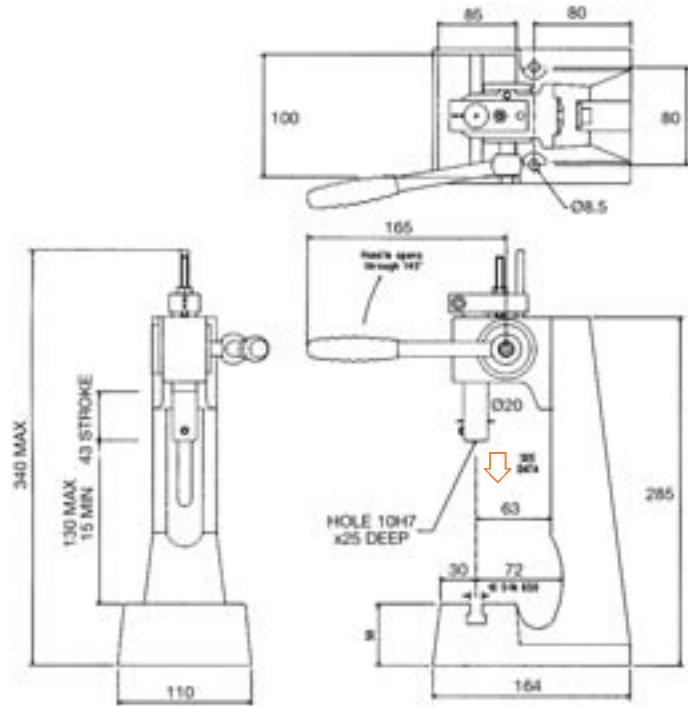
**Type:**

Bench mounted rack and pinion press

Quality Features:

- anti-twist ram.
- stroke adjustment by means of adjustment screw, or micrometer screw.
- hand lever adjustable through 360°.
- long, honed ram guide.
- ground table, with T-slot.

All Brauer rack and pinion presses apply their pressing force constantly throughout the entire working stroke. The direct transmission of force through the lever allows the operator to sense the load being applied. The optional micrometer stop for stroke adjustment allows high precision work.



### TOGGLE HAND PRESSES

#### MODEL RPP 2



With 20 daN handle force the output force is 150 daN

Capacity	kN	2,5
	kgf	250
Working Stroke	mm	50
Clearance	mm	80
Daylight	mm	46-242
Table Size	mm	155x115
T-Slot width to DIN 650	mm	12
Ram Bore Øxdepth	mm	10 <sup>H7</sup> x25
Ram Ø	mm	20
Space required	mm	155x220
Weight	kg	21

**Optional Extras: please mention when ordering**

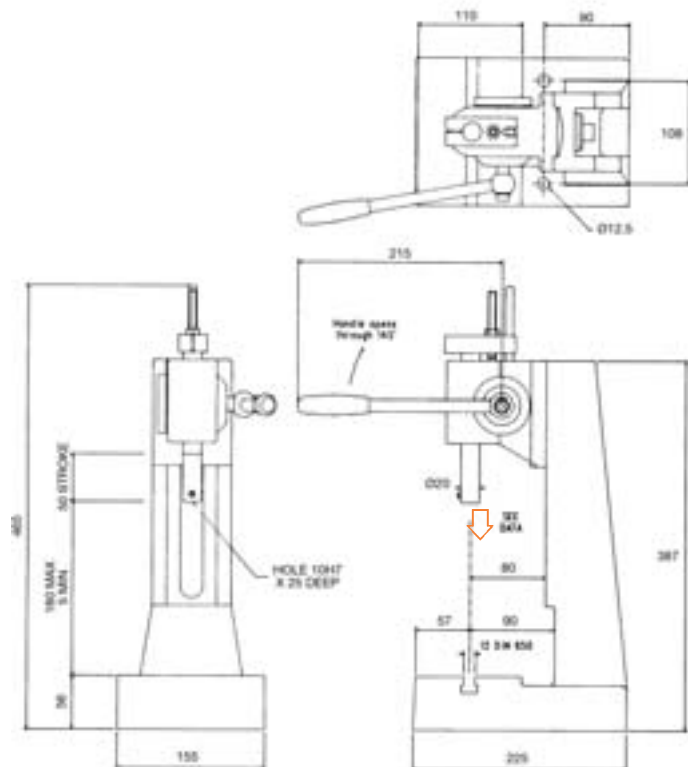
Table Bore 12 <sup>H7</sup>	mm	TB
Micrometer Screw Gauge	MICRO	Z
Stroke Counter		Z

**Type:**

Bench mounted rack and pinion press

Quality Features:

- anti-twist ram.
- stroke adjustment by means of adjustment screw, or micrometer screw.
- hand lever adjustable through 360°.
- long, honed ram guide.
- ground table, with T-slot.





## PNEUMATIC PRESSES

### PNEUMATIC TOGGLE PRESS

#### MODEL P600XPR



With 6 bar air supply pressure the output force is:

	daN
Fully retracted	20
5 mm extended	32
10 mm "	43
15 mm "	65
20 mm "	87
22 mm "	100
24 mm "	150
Fully extended	253

**Type:**  
Bench mounted pneumatic toggle press.

**Nominal holding force:**  
600 daN.

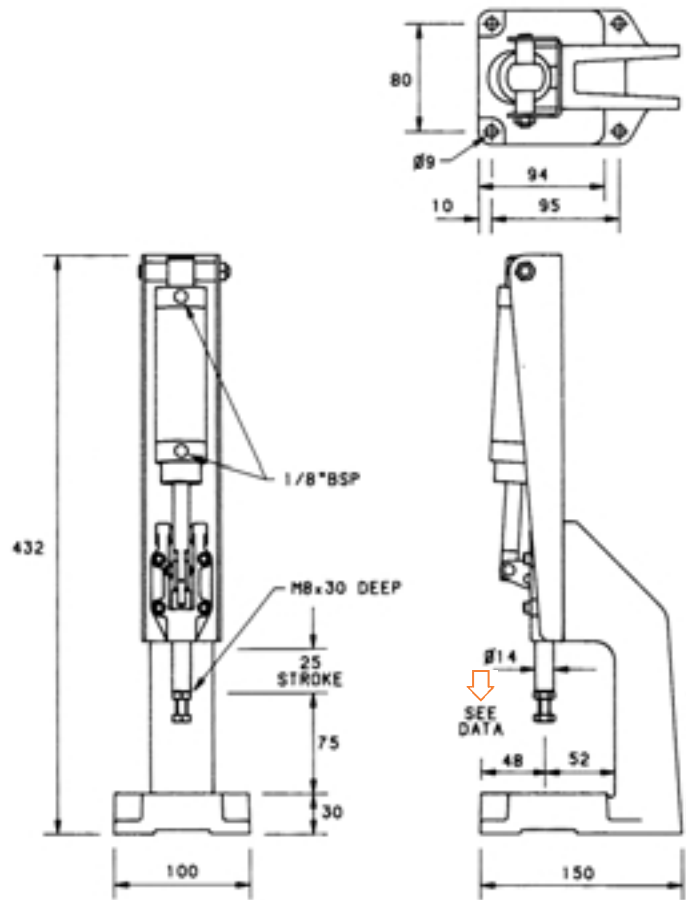
**Operating pressure range:**  
2-6 bar (30-88p.s.i.g.)

**Max. cycles/min. @ 6 bar:**  
60

**Swept volume per cycle:**  
0.09 L<sup>3</sup> (5.49 cu. in)

For stroke sensing order SK/3 Sensing Kit

**Weight:**  
5.25 kg.



### PNEUMATIC TOGGLE PRESS

#### MODEL P1200XPR



With 6 bar air supply pressure the output force is:

	daN
Fully retracted	110
5 mm extended	120
10 mm "	140
15 mm "	165
20 mm "	195
25 mm "	230
27 mm "	255
29 mm "	300
31 mm "	430
Fully extended	1150

**Type:**  
Bench mounted pneumatic toggle press.

**Nominal holding force:**  
1200 daN.

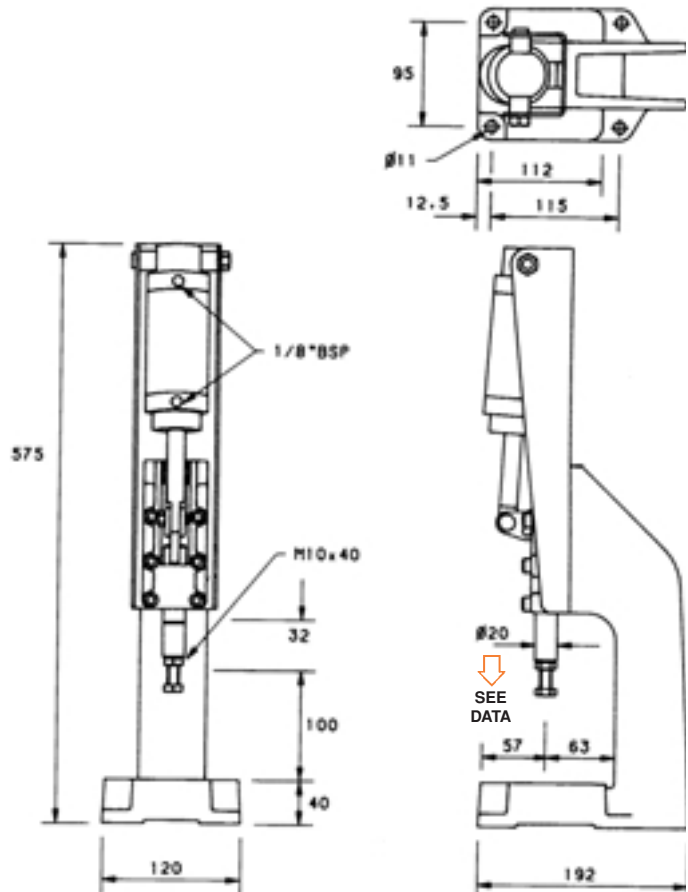
**Operating pressure range:**  
2-6 bar (30-88p.s.i.g.)

**Max. cycles/min. @ 6 bar:**  
50

**Swept volume per cycle:**  
0.28 L<sup>3</sup> (16.80 cu. in)

For stroke sensing order SK/4 Sensing Kit

**Weight:**  
9.85 kg.



## PNEUMATIC PRESSES

### PNEUMATIC TOGGLE PRESS

MODEL P2500XPR



With 6 bar air supply pressure the output force is:

	daN
Fully retracted	130
5 mm extended	140
10 mm "	160
15 mm "	175
20 mm "	200
25 mm "	210
30 mm "	245
35 mm "	265
40 mm "	325
45 mm "	420
47 mm "	490
49 mm "	700
Fully extended	1450

**Type:**  
Bench mounted pneumatic toggle press.

**Nominal holding force:**  
2500 daN.

**Operating pressure range:**  
2-6 bar (30-88p.s.i.g.)

**Max. cycles/min. @ 6 bar:**  
45

**Swept volume per cycle:**  
0.6 L<sup>3</sup> (36.6 cu. in)  
For stroke sensing order SK/5 Sensing Kit

**Weight:**  
19.05 kg.

