

PNEUMATIC SWING CLAMPS

- 90° Swing angle over workpiece
- Holding forces from 20 daN to 280 daN
- Clamping strokes of 10mm and 20mm
- Operating pressure range 2-10 bar

PNEUMATIC SWING CLAMPS

PNEUMATIC SWING CLAMP

MODELS **PNS25-10C** (clockwise)

PNS25-10A (anti-clockwise)



Maximum holding force:
20 daN.

Operating pressure range:
2-10 bar.

Rotary stroke:
9.5mm.

Clamping stroke:
10mm.

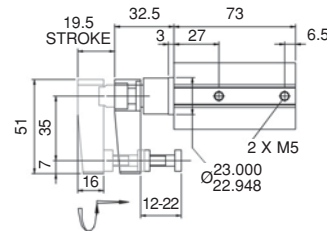
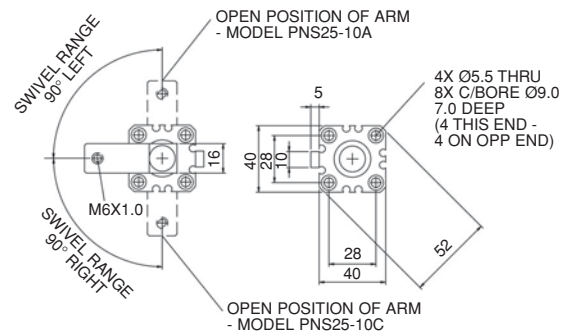
Swept volume per cycle:
0.012 L.

Weight:
0.32 Kg.

Supplied complete with:
Arm, spindle & nut.

Options:

SK/8 : Stroke sensing kit.



PNEUMATIC SWING CLAMP

MODELS **PNS32-10C** (clockwise)

PNS32-10A (anti-clockwise)



Maximum holding force:
60 daN.

Operating pressure range:
2-10 bar.

Rotary stroke:
15mm.

Clamping stroke:
10mm.

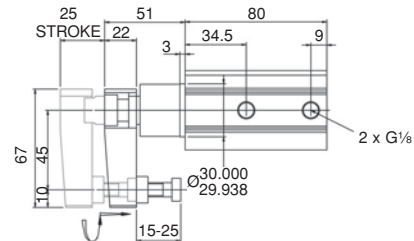
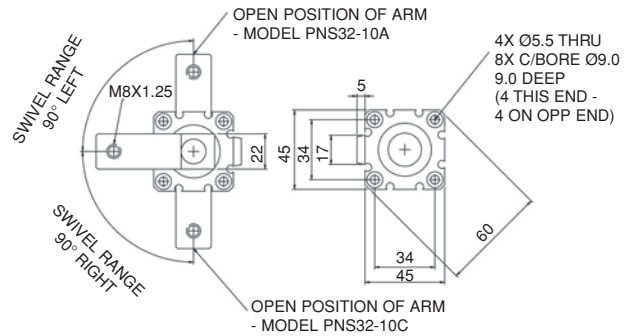
Swept volume per cycle:
0.035 L.

Weight:
0.7 Kg.

Supplied complete with:
Arm, spindle & nut.

Options:

SK/8 : Stroke sensing kit.



PNEUMATIC SWING CLAMP

MODELS **PNS40-20C** (clockwise)

PNS40-20A (anti-clockwise)



Maximum holding force:
105 daN.

Operating pressure range:
2-10 bar.

Rotary stroke:
15mm.

Clamping stroke:
20mm.

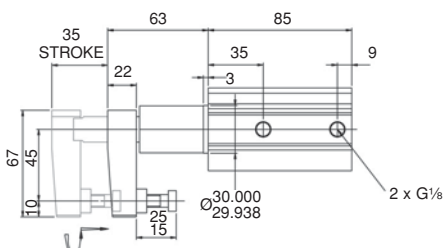
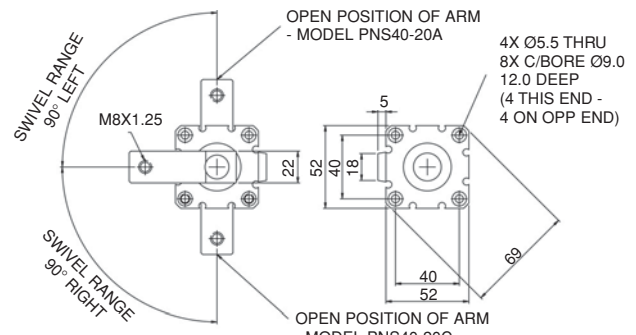
Swept volume per cycle:
0.06 L.

Weight:
0.84 Kg.

Supplied complete with:
Arm, spindle & nut.

Options:

SK/8 : Stroke sensing kit.



PNEUMATIC SWING CLAMPS

PNEUMATIC SWING CLAMP

MODELS **PNS50-20C** (clockwise)

PNS50-20A (anti-clockwise)



Options:

SK/8 : Stroke sensing kit.

Maximum holding force:
160 daN.

Operating pressure range:
2-10 bar.

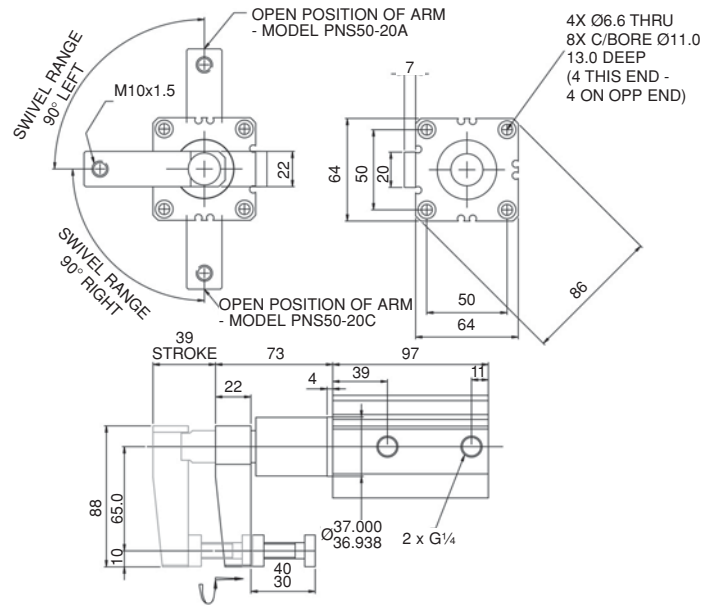
Rotary stroke:
19mm.

Clamping stroke:
20mm.

Swept volume per cycle:
0.14 L.

Weight:
1.45 Kg.

Supplied complete with:
Arm, spindle & nut.



PNEUMATIC SWING CLAMP

MODELS **PNS63-20C** (clockwise)

PNS63-20A (anti-clockwise)



Options:

SK/12 : Stroke sensing kit.

Maximum holding force:
280 daN.

Operating pressure range:
2-10 bar.

Rotary stroke:
19mm.

Clamping stroke:
20mm.

Swept volume per cycle:
0.24 L.

Weight:
1.87 Kg.

Supplied complete with:
Arm, spindle & nut.

