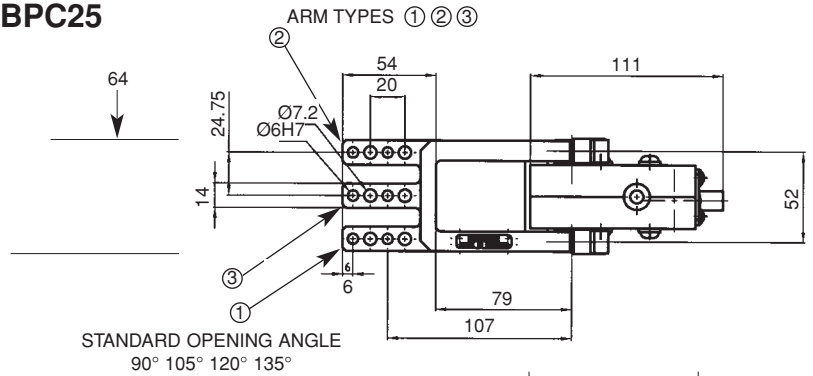
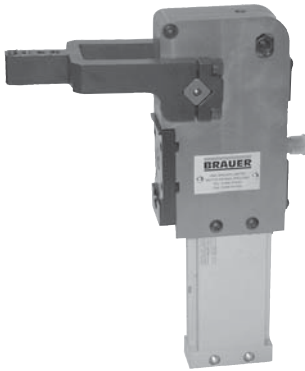


PNEUMATIC COMPACT POWER CLAMPS

- New compact, slim body design, with oval cylinder
- Fully enclosed patented mechanism
- Steel or aluminium body construction
- Self positioning clamping arm featuring weld immune integrated sensing
- 3D CAD formats including dwg, IGES, ACIS and Catia
- Cycle tested through 5 million cycles

PNEUMATIC POWER CLAMPS - UK AND INTERNATIONAL PATENTS PENDING

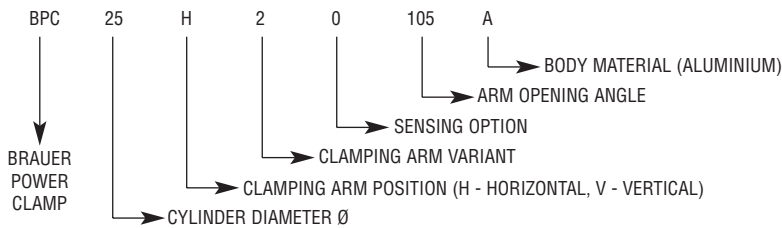
MODEL BPC25



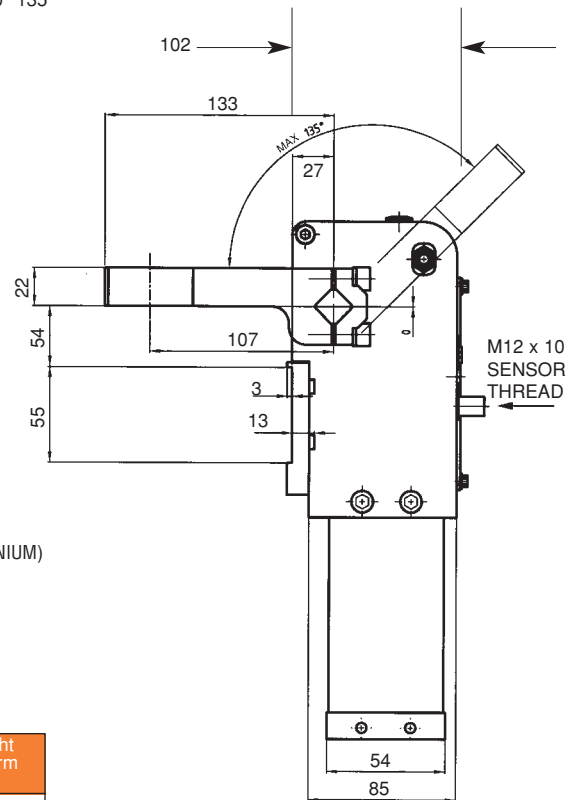
Features

- Mounting face hole patterns can be modified to suit customer requirements.
- Enclosed body.
- No reduction of clamping torque as clamp locks.
- Flat, 'slim line' construction.
- Variety of arm types.
- Opening angles up to 135°.
- Long service life.
- Air cylinders max. 8 bar with oil free dry running design.
- Reed switches on cylinder (magnetic piston) (R).
- Sensing Options:
 ... O = without sensing
 ... I = supplied with inductive sensing 10-30V weld immune and isolated

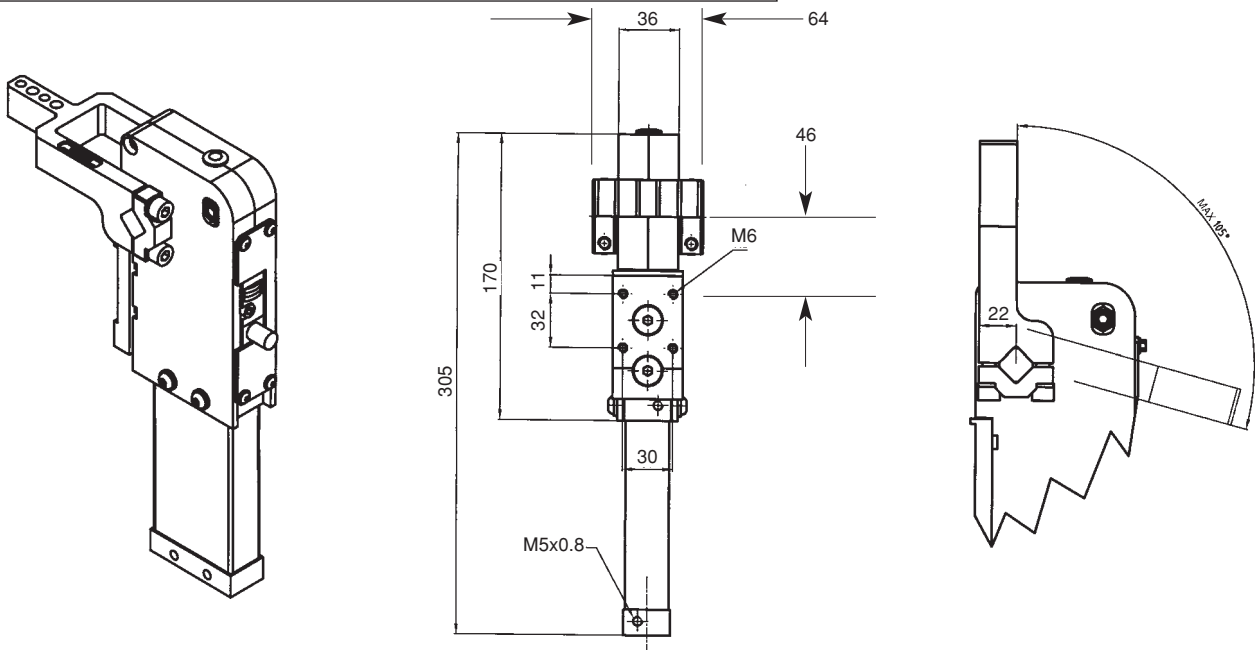
ORDER EXAMPLE



Type	Holding moment Max (Nm)	Clamping moment at 5 bar	Piston Ø	Cylinder Port	Weight inc. arm [kg]
BPC 25	200 Nm	65 Nm	25	M5	2.4

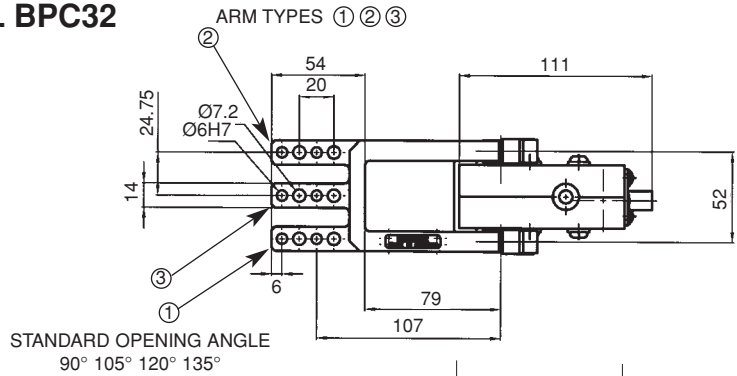
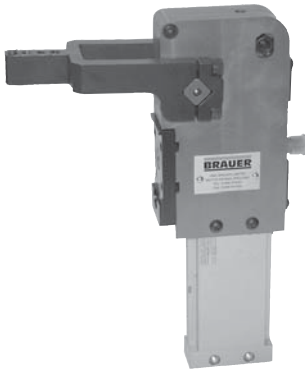


CLAMPING PRODUCTS

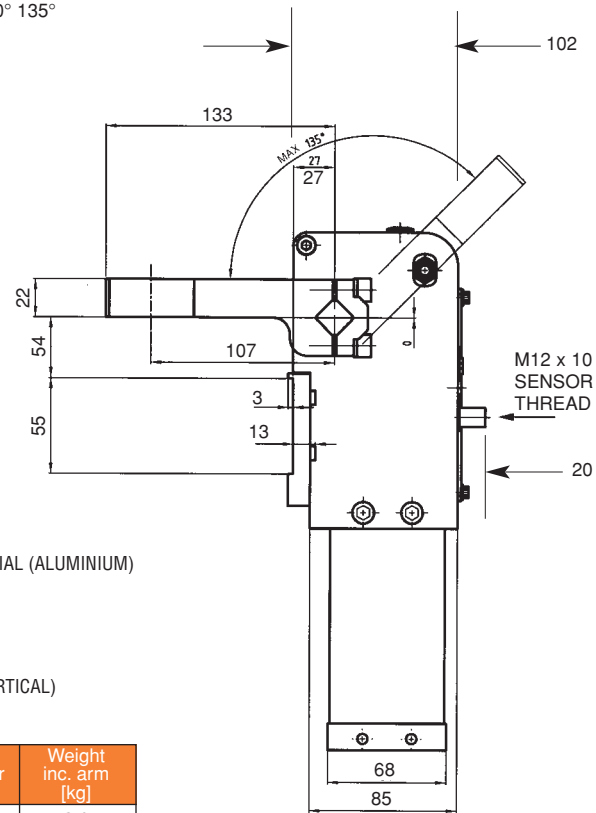


PNEUMATIC POWER CLAMPS - UK AND INTERNATIONAL PATENTS PENDING

MODEL BPC32



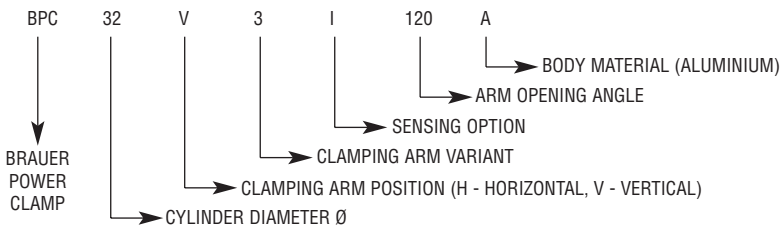
STANDARD OPENING ANGLE
90° 105° 120° 135°



Features

- Mounting face hole patterns can be modified to suit customer requirements.
- Enclosed body.
- No reduction of clamping torque as clamp locks.
- Flat, 'slim line' construction.
- Variety of arm types.
- Opening angles up to 135°.
- Long service life.
- Air cylinders max. 8 bar with oil free dry running design.
- Reed switches on cylinder (magnetic piston) (R).
- Sensing Options:
... O = without sensing
... I = supplied with inductive sensing 10-30V weld immune and isolated

ORDER EXAMPLE



Type	Holding moment Max (Nm)	Clamping moment at 5 bar	Piston Ø	Cylinder Port	Weight inc. arm [kg]
BPC 32	400 Nm	140 Nm	32	G1/8	2.6

