



# 56 Spring-Loaded Plunger

Lever Actuated · Press-in and Flare-in Styles · Small Size

- Simplified positioning of sliding components
- Quick-release lever for fast installation and removal of components
- Designate access with color

### Material and Finish

Stud: Steel, hardened, zinc plated, chromate plus sealer  
 Ferrule: Steel, zinc plated, chromate plus sealer  
 Spring and Rivet: 300 series stainless steel, passivated  
 Lever: Glass-filled nylon, UL94-V0 Rated  
 Washer: PC/ABS, UL94-V0 Rated

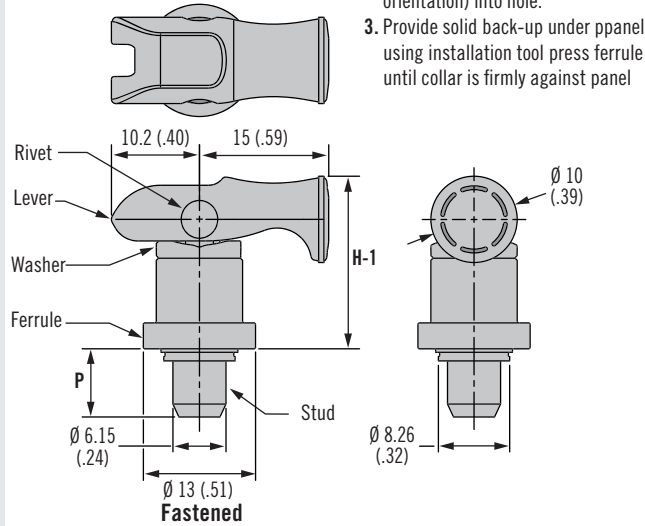
### Part Number

See table

### Specifying Prism Color

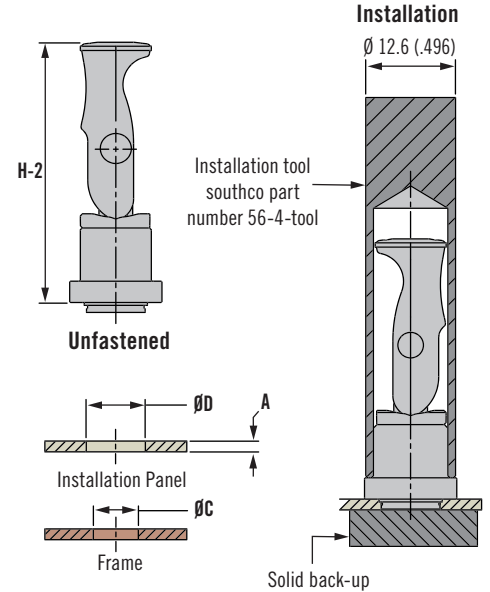
To indicate color, change the last three digits of the part number.  
 Example: 56-461-000, black; 56-461-013, red

### Press-in Style

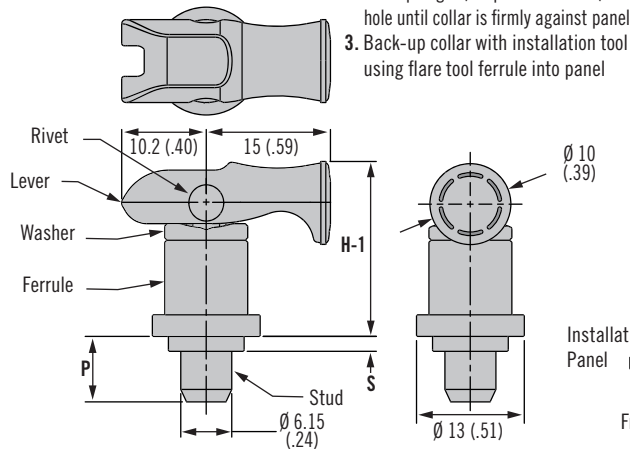


### Installation:

1. Prepare hole in panel.
2. Place plunger (in unfastened orientation) into hole.
3. Provide solid back-up under ppanel using installation tool press ferrule until collar is firmly against panel



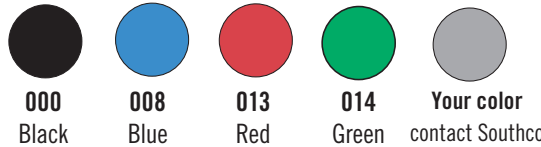
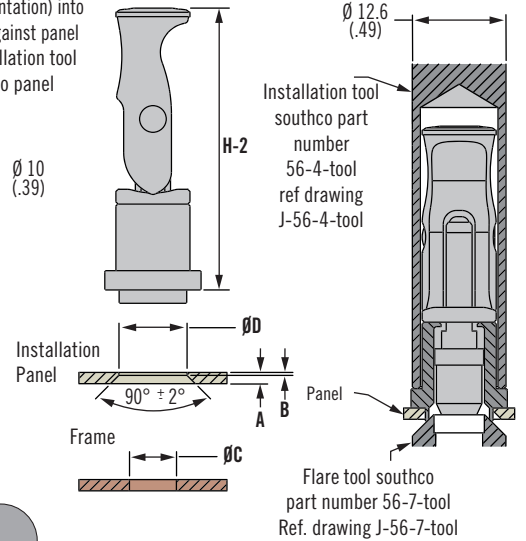
### Flare-in Style



### Installation:

1. Prepare hole in Panel.
2. Place plunger (in open orientation) into hole until collar is firmly against panel
3. Back-up collar with installation tool using flare tool ferrule into panel

### Unfastened



(shown in table)

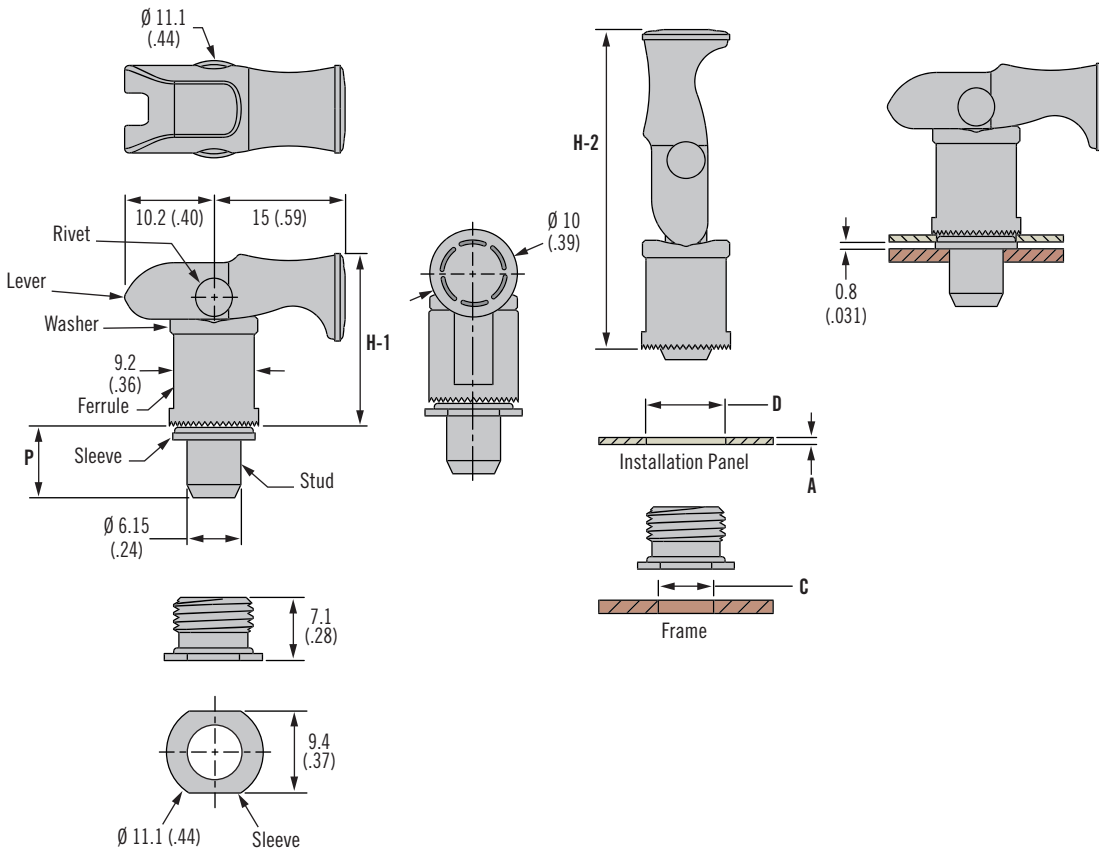
Outer Panel		P	B	S	Installation	Part Number	H-1	H-2	Ø D	Ø C
A Min.	A Max.					Hold-Open				
1.52 (.06)	3.8 (.15)	8 (.31)	-	-	Press-in	56-461-000	20 (.79)	36.7 (1.44)	8.33 <sup>+0.07</sup> <sub>-0.0</sub> (.328 <sup>+0.003</sup> <sub>-.000</sub> )	6.35 <sup>+0.07</sup> <sub>-0.0</sub> (.250 <sup>+0.003</sup> <sub>-.000</sub> )
1.52 (.06)	3.18 (.125)	8 (.31)	0.4 (.02)	1.8 (.07)	Flare-in	56-471-1-000	21.1 (.83)	38.1 (1.5)	9.2 <sup>+0.1</sup> <sub>-0.0</sub> (.362 <sup>+0.004</sup> <sub>-.000</sub> )	
3.18 (.125)	4.7 (.185)	9.5 (.37)	1.9 (.08)	3.3 (.13)	Flare-in	56-471-2-000	19.6 (.77)	36.6 (.90)	9.12 <sup>+0</sup> <sub>-0.008</sub> (.359 <sup>+0</sup> <sub>-.003</sub> )	
0.8 (.031)	3.2 (.125)	8.2 (.32)	-	-	Thread-in	56-481-000	19.7 (.78)	36.7 (1.44)		

# 56 Spring-Loaded Plunger Lever Actuated · Thread-in Style · Small Size



146B

## Thread-in Style

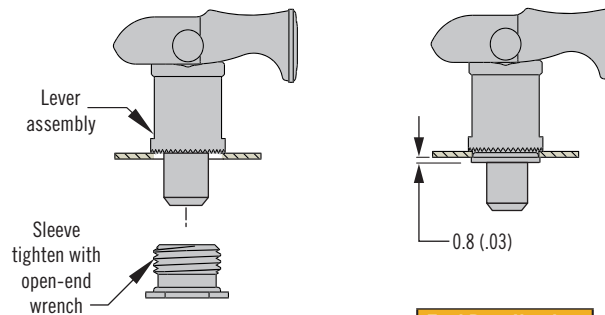
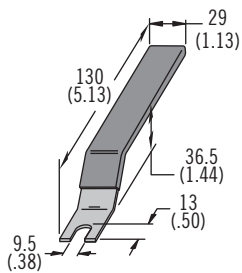


- Simplified positioning of sliding components
- Quick-release lever for fast installation and removal of components
- Designate access with color

## Material and Finish

Stud: Steel, hardened, zinc plated, chromate plus sealer  
 Ferrule and Sleeve: Steel, zinc plated, chromate plus sealer  
 Spring and Rivet: 300 series stainless steel, passivated  
 Lever: Glass-filled nylon, UL94-V0 Rated  
 Washer: PC/ABS, UL94-V0 Rated

## Installation tool



## Tool Part Number

56-0-22041-04

## Part Number

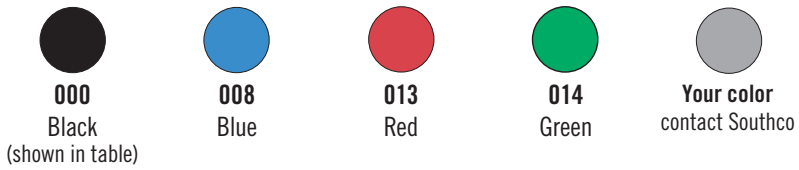
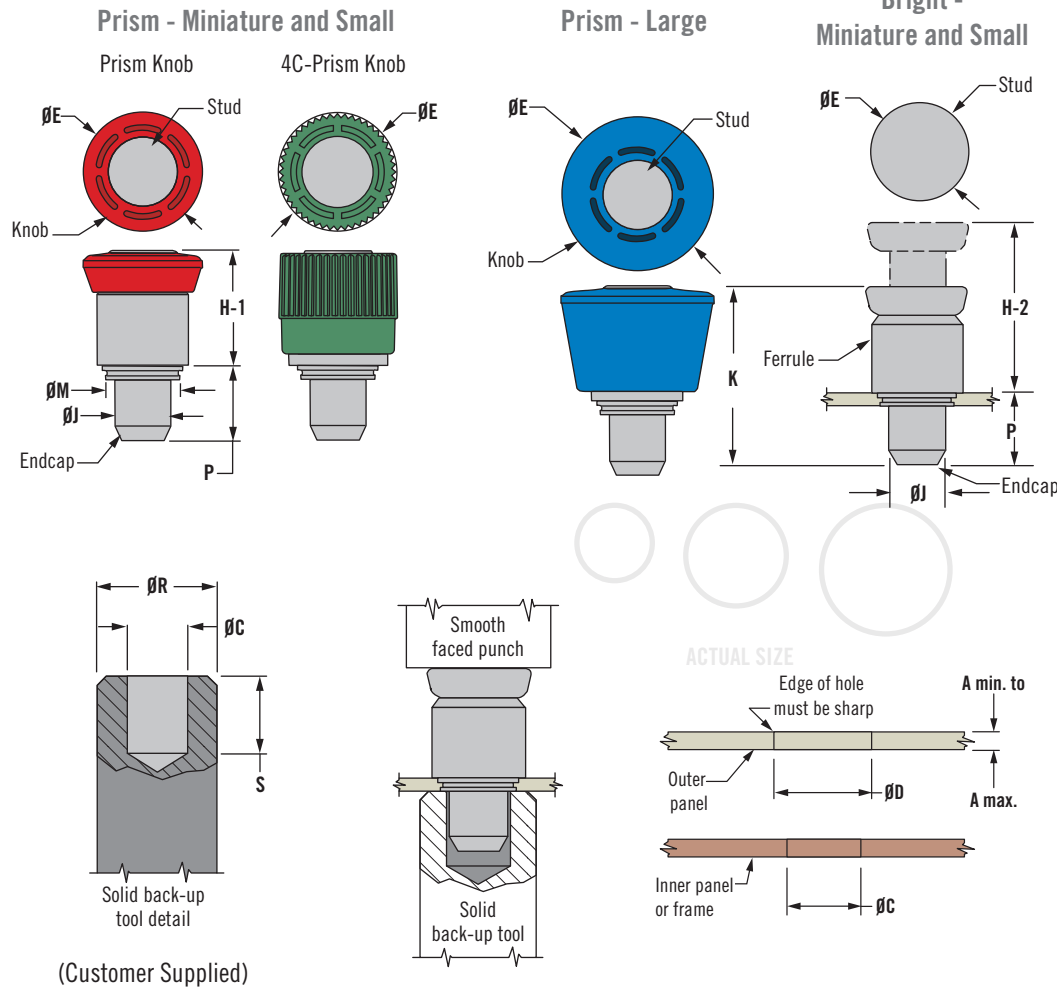
See table

# 56 Spring-Loaded Plunger

## Press-in style – Miniature, Small and Large



### Press-In Style



- Simplified positioning of sliding components
- Quick-release hinge for removable door
- Fast installation and removal of components
- Designate access with color

### Material and Finish

End cap: Steel, zinc plated, chromate, plus sealer

Ferrule and stud: Steel, (Large and Small hardened), zinc plated, chromate plus sealer

Knob: (Prism plungers only) PC/ABS, black, UL94-V0 Rated

Spring: 300 series stainless steel, passivated

### Installation Notes

Press knob with approximately 13,400 N (3000 lbf) (Large and Small), 8000 N (1800 lbf) (Mini) for steel, 6700 N (1500 lbf) (Large and Small), 5000 N (1124 lbf) (Mini) for aluminum panels until ferrule sits flush with panel. A solid back-up tool must be used for proper installation.

### Part Number

See table

### Specifying Prism Color

To indicate color, change the last three digits of the part number.

Example:  
56-161-000, black; 56-161-013, red

Outer Panel Thickness		P	Size	Knob Style	Part Number		H-1	H-2	E	K	Ø J	Ø M	Ø D	Ø C	Ø R	S
A Min.	A Max.				Hold-Open	Without										
0.8 (.031)	1.5 (.06)	4.4 (.17)	Mini	Bright	56-11-15	56-10-15	9.2 (.36)	12.9 (.51)	8.5 (.33)	13.6 (.54)	4.29 (.169) MAX	6.6 (.26)	6.7 <sup>+0.08</sup> <sub>0.0</sub> (.264 <sup>+0.003</sup> <sub>0.000</sub> )	4.3 <sup>+0.13</sup> <sub>0.0</sub> (.169 <sup>+0.005</sup> <sub>0.000</sub> )	9 (.35) MIN	4.5 (.18) MIN
				Prism	56-111-000	56-110-000	9.9 (.39)	13.6 (.54)	9 (.35)	14.3 (.56)						
				4C-Prism	56-311-000	56-310-000	9.9 (.39)	13.6 (.54)	9 (.35)	14.3 (.56)						
1.52 (.06)	3.81 (.15)	8.2 (.32)	Small	Bright	56-61-15	56-60-15	12.2 (.48)	19.3 (.76)	11.5 (.45)	20.4 (.80)	6.33 (.249)	8.26 (.325)	8.4 <sup>+0.0</sup> <sub>0.1</sub> (.328 <sup>+0.003</sup> <sub>0.000</sub> )	6.4 <sup>+0.1</sup> <sub>0.0</sub> (.250 <sup>+0.005</sup> <sub>0.000</sub> )	13 (.50) MIN	8.26 (.325) MIN
				Prism	56-161-000	56-160-000	13 (.51)	20 (.79)	13.3 (.52)	21.1 (.83)						
				4C-Prism	56-361-000	56-360-000	13 (.51)	20 (.79)	13.3 (.52)	21.1 (.83)						
			Large	Prism	56-261-000	56-260-000	13 (.51)	20 (.79)	17 (.67)	21.1 (.83)						



# 56 Spring-Loaded Plunger

## Thread-in style - Miniature, Small and Large

- Simplified positioning of sliding components
- Quick-release hinge for removable door
- Fast installation and removal of components
- Designate access with color

### Material and Finish

Stud: Steel, hardened, zinc plated, chromate plus sealer

Ferrule and Sleeve: Steel, zinc plated, chromate plus sealer

Spring: 300 series stainless steel passivated

Prism Knob: PC/ABS, UL94-V0 Rated

End cap: Steel, zinc plated, chromate, plus sealer

(Aluminum knob plungers only)

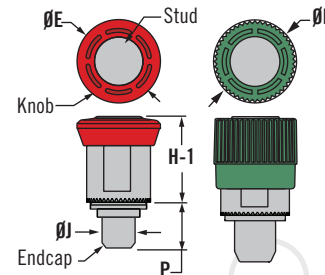
Detent washer: Steel, zinc plated (Hold-open only)

### Part Number

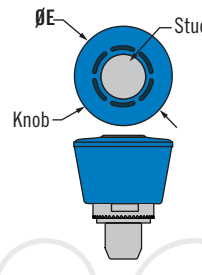
See table

### Thread-in Style

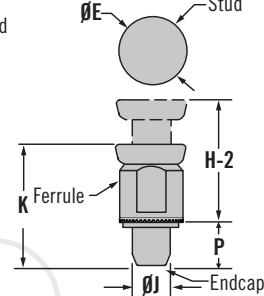
#### Prism - Miniature and Small



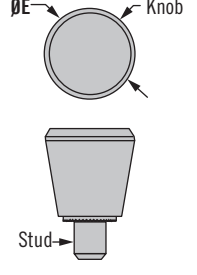
#### Prism - Large



#### Bright Steel Knob

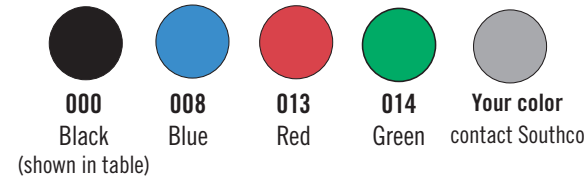


#### Bright Aluminum Knob

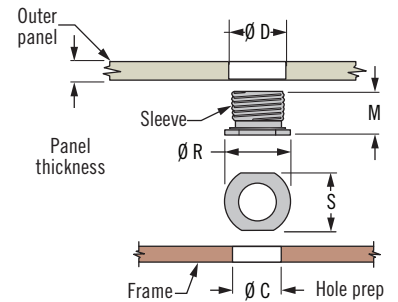
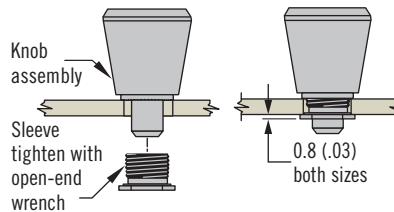
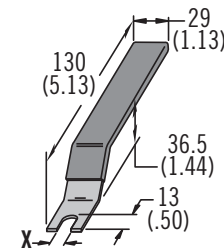


### Specifying Prism Color

To indicate color, change the last three digits of the part number.  
Example: 56-130-000, black; 56-130-013, red



### Installation tool



Size	X (Tool)	Tool Part Number
Mini	7.1 (.28)	56-0-22041-03
Small	9.5 (.38)	56-0-22041-04
Large		

Outer Panel		P	Size	Knob Style	Part Number		H-1	H-2	Ø E	K	Ø J	Ø C	Ø D	M	Ø R	S
Min.	Max.				Hold-Open	Without										
0.8 (.031)	1.5 (.06)	4.4 (.17)	Mini	Bright	—	56-30-15	9.2 (.36)	12.9 (.51)	8.5 (.335)	13.6 (.54)	4.29 (.169) MAX	4.3 +0.08/-0.0 (.17 +.003 -0.000)	7.14 ±0.08 (.281 ±.003)	5.1 (.20)	9 (.35)	7 (.28)
				Prism	—	56-130-000	9.9 (.39)	13.6 (.54)	9 (.354)	14.3 (.56)						
				4C-Prism	—	56-330-000	9.9 (.39)	13.6 (.54)	10 (.354)	14.3 (.56)						
0.8 (.031)	3.2 (.13)	6.9 (.27)	Small	Bright	—	56-80-15	12.2 (.48)	20.4 (.80)	11.5 (.45)	20.3 (.80)	6.33 (.249)	6.35 + 0.08/-0.0 (.250 +.003/0.000)	9.12 ±0.08 (.359 ±.003)	7.1 (.28)	11.1 (.44)	9.4 (.37)
				Prism	—	56-180-000	13 (.51)	21.1 (.83)	13.3 (.52)	21 (.83)						
				4C-Prism	—	56-380-000	13 (.51)	21.1 (.83)	13 (.51)	21 (.83)						
			Large	Prism	—	56-280-000	14.1 (.56)	21.1 (.83)	17 (.67)	21 (.83)						
0.64 (.025)	1.5 (.06)	6.4 (.17)	Small	Aluminum	56-10-301-20	56-99-196-20	13.4 (.53)	18.4 (.72)	13.5 (.53)	19.8 (.78)	4.7 (.183)	4.78 +0.08/-0.03 (.17 +.003 -0.000)	7.14 ±0.08 (.281 ±.003)	5.6 (.20)	9 (.35)	7 (.28)
0.8 (.031)	3.2 (.13)	7.9 (.31)	Large	Aluminum	56-10-401-20	56-99-197-20	18.3 (.72)	24.6 (.97)	17.5 (.69)	26.2 (1.03)	6.2 (.245)	6.35 + 0.08/-0.08 (.250 +.003/0.000)	9.12 ±0.08 (.359 ±.003)	7.1 (.28)	11.1 (.44)	9.4 (.37)

Other options available. For complete details on variety, part numbers, installation and specification, go to



[www.southco.com/56](http://www.southco.com/56)

Dimensions in millimeters (inch) unless otherwise stated

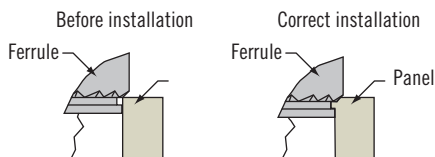
# Installation Guidelines

## for *SOUTHCO*® Self-Clinching products

Self-clinching product installation is offered on these *SOUTHCO*® products, making them easy-to-use captive panel fasteners:

- Captive Screws
- Receptacles for Quarter-turn Fasteners
- Receptacles for Fast-lead Thread Screws

When pressed into a properly prepared hole, self-clinching captive fasteners cold-flow (move) the panel material into the retaining groove of the fastener. This material then retains the fastener in the panel.



### Successful press-in installations depend on:

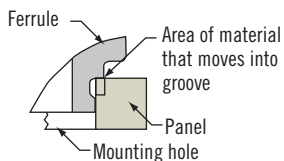
#### Material:

The hardness of the panel material must not exceed *SOUTHCO*® recommendations. If the panel is too hard, the fastener will not install correctly.

#### Installation Holes:

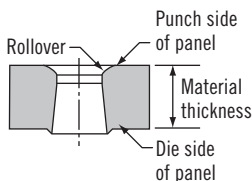
Mounting holes may be drilled, punched, or cast.

- Hole edge: the top hole edge must be sharp but with no broken edges.



Do not chamfer or debur edge.

- Punched holes: use a punch and die with a small clearance to minimize the rollover and fracture angle.
- Hole diameter: measure the hole diameter at the panel surface on the side on which the fastener will be installed. The diameter must be within *SOUTHCO*® specifications for that product.



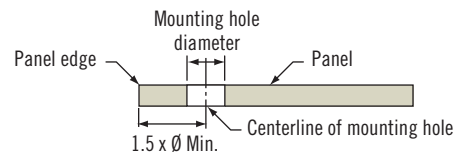
- If the hole is too large, not enough material will flow into the

retaining groove and the fastener may not be retained adequately.

- If the hole is too small, the fastener will not fit and installation may become difficult and unsafe.
- Hole distance from the edge of panel: the minimum recommended distance is 1.5 x the diameter of the mounting hole, unless otherwise indicated.

- Spring-loaded Plungers
- Captive Nuts
- Threaded Inserts

- Installing too close to the edge will cause the material to flow in the opposite direction, deforming the edge of the panel. To install closer to the edge, you may need to restrain the panel edge.



#### Panel Thickness:

The thickness of the panel at the mounting hole location must meet or exceed Southco's stated minimum recommendations.

If the material is too thin, panel deformation and/or damage to the fastener may result.

#### Installation is fast and easy if you follow these tips:

How to install: Use the recommended force where noted and a proper back-up tool.

- use any parallel-acting press
- use a punch whose diameter is larger than the head of the fastener

Installation Force: Proper installation requires an even distribution of adequate force. It does not depend on the distance the fastener is pressed into the panel.

- Southco does not recommend using a hammer. The impact force does not provide an even distribution of force to allow the panel material to completely flow into the fastener's retaining groove.
- Installation force varies from application to application, depending on the criteria noted above.
- On parts without a collar to provide a hard stop, press-in until the edge of the knurl is just barely visible.

#### When to Install:

Installation is recommended after plating or finishing has been applied to the panel.

The hole diameter must meet specifications before finish or plating is applied.

- Do not over-install parts. This interrupts the material and will reduce the retention strength.

