

PNEUMATIC VERTICAL AND PUSH-PULL CLAMPS

- **Features and Specifications:**

Vertical models V75X, V150X, V250X and V450X are of zinc plated pressed steel construction and have compact cylinders without tie-rods. The heavier duty models V750X, V1750X and V2000X are of fabricated construction with tie-roded cylinders.

The main components of push-pull models P600X, P1200X and P2500X are machined castings for precision of operation and for durability. The plungers are of steel, their precision ground diameter running in a close-toleranced hole in the s.g. iron base casting.

- **Installation:**

While the cylinders of models V75X, V150X, V250X, V450X, P600X, P1200X and P2500X can be operated with dry air, air lubrication will extend cylinder life on these models and is a requirement for models V750X, V1750X and V2000X.

The air pressure operating range of pneumatic clamps is 30-90 psi.

PNEUMATIC VERTICAL AND PUSH-PULL CLAMPS

PNEUMATIC VERTICAL CLAMPS

MODEL V75X



Arm:
The spindle position is adjustable along the arm.

Base:
Flanged.

Nominal Holding Force:
75 daN

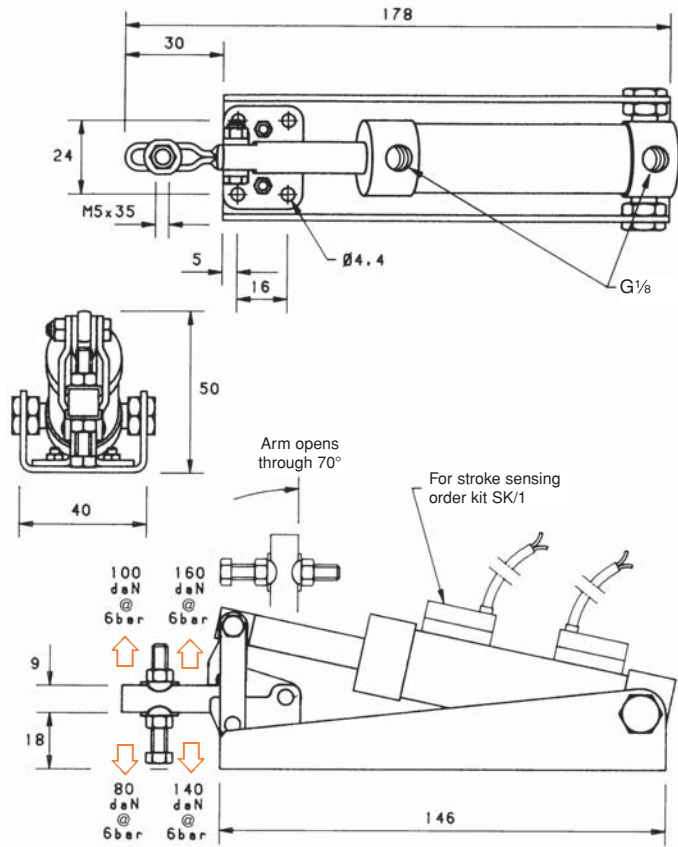
Operating pressure range:
2-6 bar (30-88 p.s.i.g.)

Max. cycles/min. at 6 bar:
40.

Swept volume per cycle:
0.02 L (1.2 cu. in.)

Weight:
0.40 Kg

Supplied complete with:
MB0535 Setscrew & nuts.
FW05/10 Flanged washers.
For stroke sensing order SK/1 Sensing Kit.
See "Accessories" for other items.



PNEUMATIC VERTICAL CLAMPS

MODEL V150X



Arm:
The spindle position is adjustable along the arm.

Base:
Flanged.

Nominal Holding Force:
150 daN

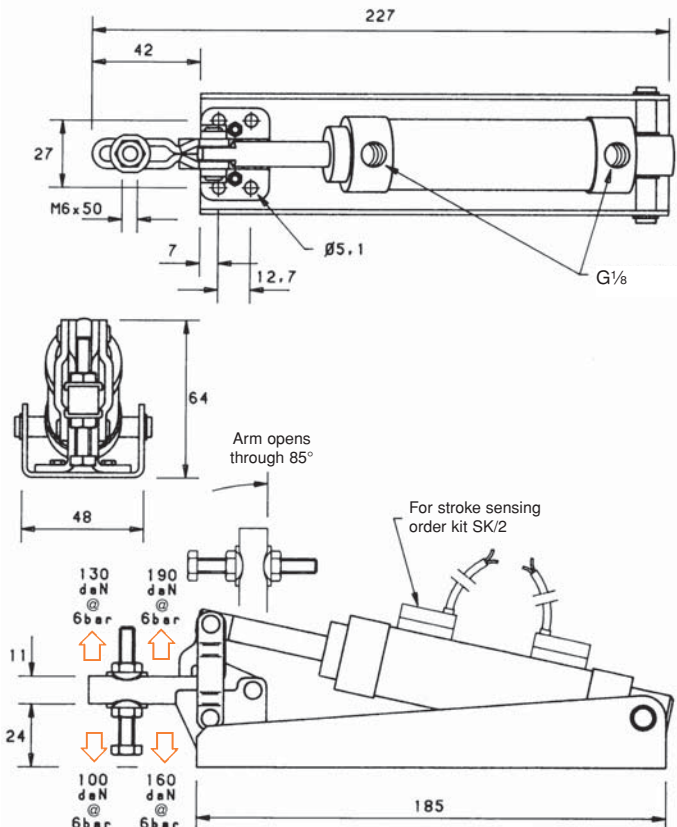
Operating pressure range:
2-6 bar (30-88 p.s.i.g.)

Max. cycles/min. at 6 bar:
60.

Swept volume per cycle:
0.04 L³ (2.4 cu. in.)

Weight:
0.65 Kg

Supplied complete with:
MB0650 Setscrew & nuts.
FW06/12 Flanged washers.
For stroke sensing order SK/2 Sensing Kit.
See "Accessories" for other items.



PNEUMATIC VERTICAL AND PUSH-PULL CLAMPS

PNEUMATIC VERTICAL CLAMPS

MODEL V250X



Arm:
The spindle position is adjustable along the arm.

Base:
Flanged.

Nominal Holding Force:
250 daN

Operating pressure range:
2-6 bar (30-88 p.s.i.g.)

Max. cycles/min. at 6 bar:
55.

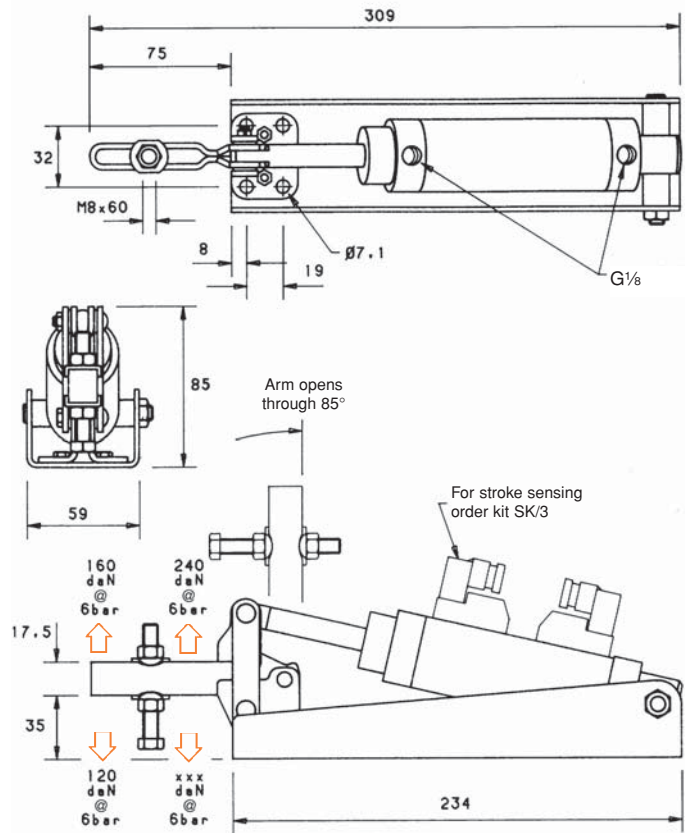
Swept volume per cycle:
0.09 L³ (5.5 cu. in.)

Weight:
1.20 Kg

Supplied complete with:
MB0860 Setscrew & nuts
FW08/15 Flanged washers.

For stroke sensing order SK/3 Sensing Kit.

See "Accessories" for other items.



PNEUMATIC VERTICAL CLAMPS

MODEL V450X



Arm:
The spindle position is adjustable along the arm.

Base:
Flanged.

Nominal Holding Force:
450 daN

Operating pressure range:
2-6 bar (30-88 p.s.i.g.)

Max. cycles/min. at 6 bar:
55.

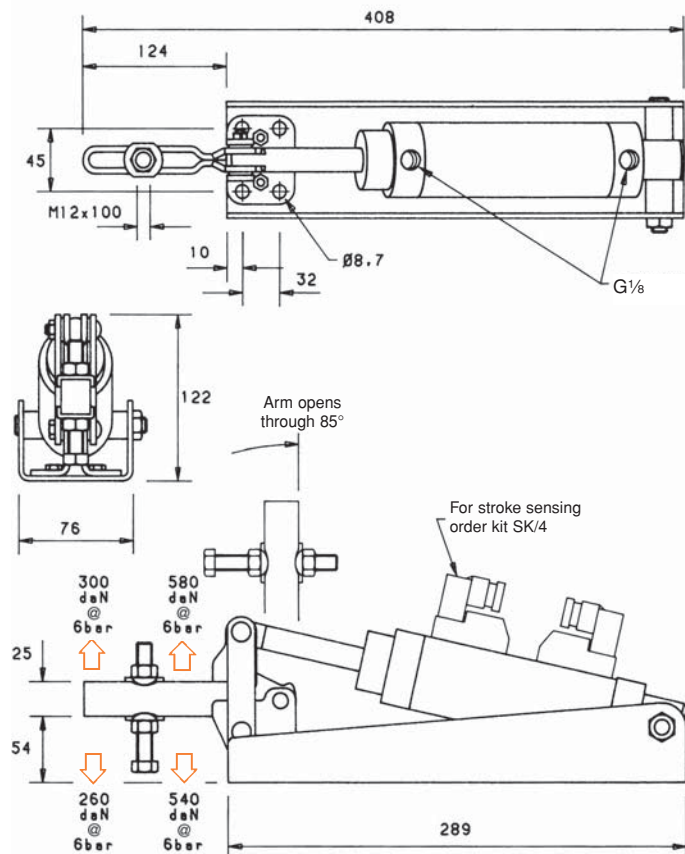
Swept volume per cycle:
0.27 L³ (16.8 cu. in.)

Weight:
2.75 Kg

Supplied complete with:
MB12100 Setscrew & nuts.
FW12/23 Flanged washers.

For stroke sensing order SK/4 Sensing Kit.

See "Accessories" for other items.



PNEUMATIC VERTICAL AND PUSH-PULL CLAMPS

PNEUMATIC VERTICAL CLAMPS

MODEL V750X



Arm:
Solid — no spindle supplied.

Base:
Front mounting.

Operating pressure range:
2-6 bar (30-88 p.s.i.g.)

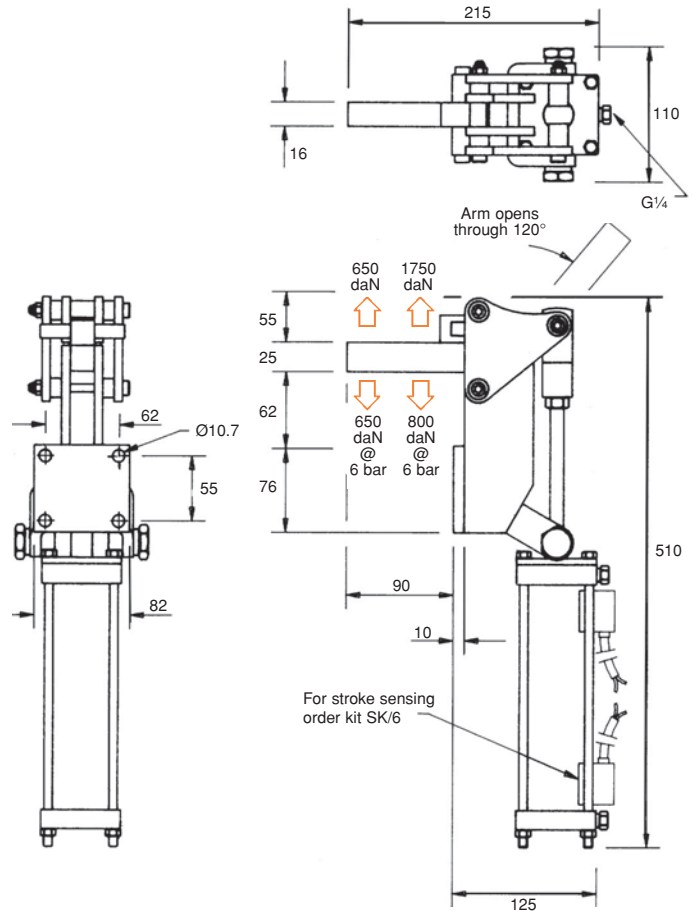
Max. cycles/min. at 6 bar:
30.

Swept volume per cycle:
0.27 L³ (16.5 cu. in.)

Nominal Holding Force:
750 daN

Weight:
3.85 Kg

For stroke sensing order SK/6 Sensing Kit.
See "Accessories" for other items.



PNEUMATIC VERTICAL CLAMPS

MODEL V1750X



Arm:
Solid — no spindle supplied.

Base:
Front mounting.

Operating pressure range:
2-6 bar (30-88 p.s.i.g.)

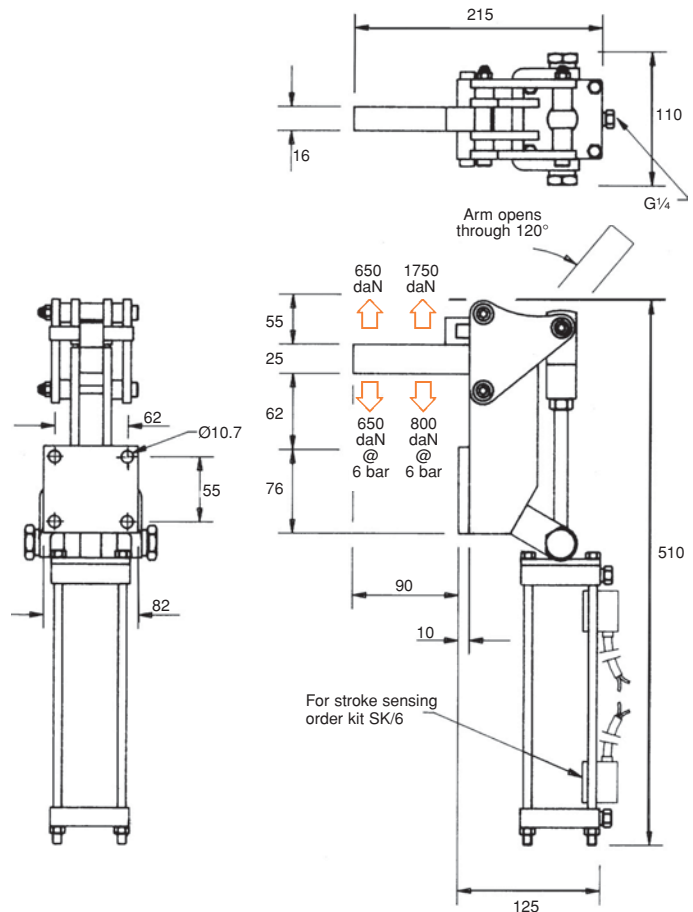
Max. cycles/min. at 6 bar:
15.

Swept volume per cycle:
0.75 L³ (45.7 cu. in.)

Nominal Holding Force:
1750 daN

Weight:
6.80 Kg

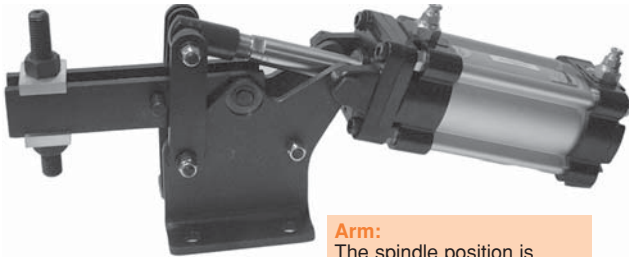
For stroke sensing order SK/6 Sensing Kit.
See "Accessories" for other items.



PNEUMATIC VERTICAL AND PUSH-PULL CLAMPS

PNEUMATIC VERTICAL CLAMPS

MODEL V2000X



Arm:
The spindle position is adjustable along the arm.

Base:
Flanged.

Nominal Holding Force:
2000 daN

Operating pressure range:
2-6 bar (30-88 p.s.i.g.)

Max. cycles/min. at 6 bar:
10.

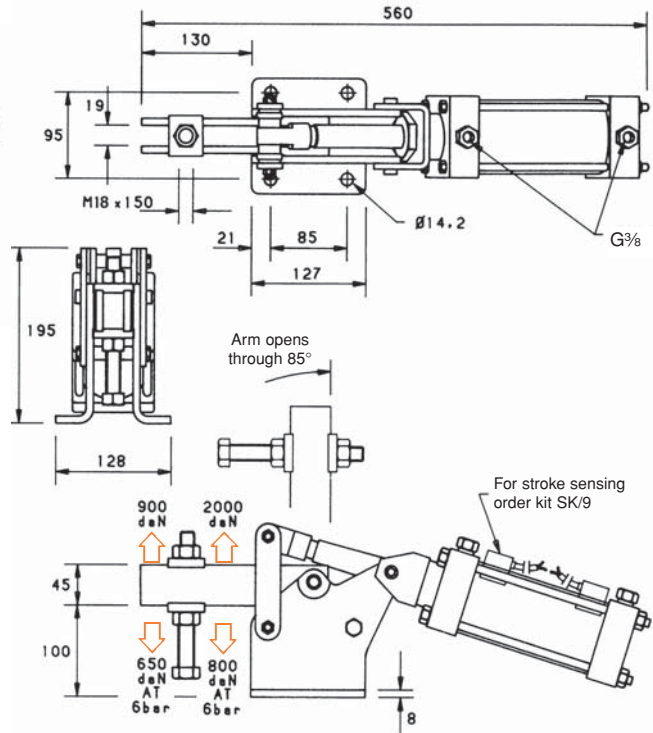
Swept volume per cycle:
0.76 L³ (46.4 cu. in.)

Weight:
10.30 Kg

Supplied complete with:
MB18 Setscrew & nuts.
Flanged washers.

For stroke sensing order SK/9 Sensing Kit.

See "Accessories" for other items.



PNEUMATIC PUSH-PULL CLAMPS

MODEL P600X



Plunger:
Locks in fully extended position only.

Base:
Body mounting.

Nominal Holding Force:
600 daN

Operating pressure range:
2-6 bar (30-88 p.s.i.g.)

Max. cycles/min. at 6 bar:
60.

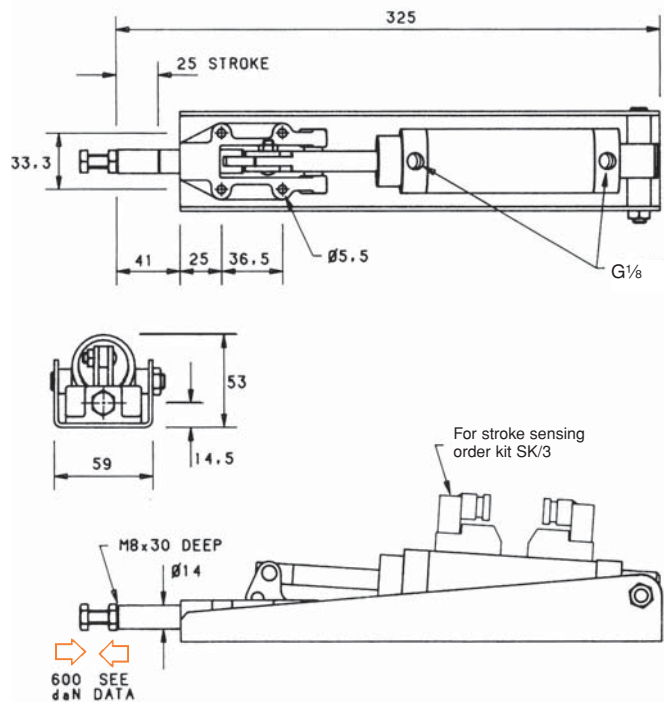
Swept volume per cycle:
0.09 L³ (5.5 cu. in.)

Weight:
1.45 Kg

Supplied complete with:
MB0840 Setscrew & nut.

For stroke sensing order SK/3 Sensing Kit.

See "Accessories" for other items.



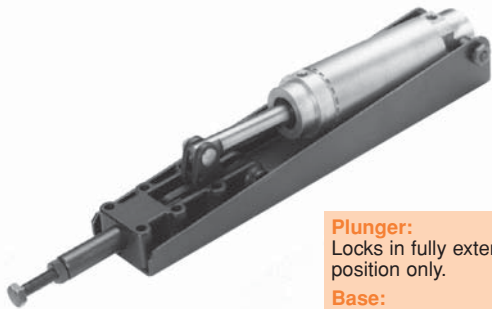
DATA

With 6 bar air supply pressure the output force is:	daN
Fully retracted	20
5 mm extended	32
10 mm "	43
15 mm "	65
20 mm "	87
22 mm "	100
24 mm "	150
Fully extended	253

PNEUMATIC VERTICAL AND PUSH-PULL CLAMPS

PNEUMATIC PUSH-PULL CLAMPS

MODEL P1200X



Plunger:
Locks in fully extended position only.

Base:
Body mounting.

Nominal Holding Force:
1200 daN

Operating pressure range:
2-6 bar (30-88 p.s.i.g.)

Max. cycles/min. at 6 bar:
50.

Swept volume per cycle:
0.28 L³ (16.8 cu. in.)

Weight:
3.70 Kg

Supplied complete with:
MB1050 Setscrew & nut.

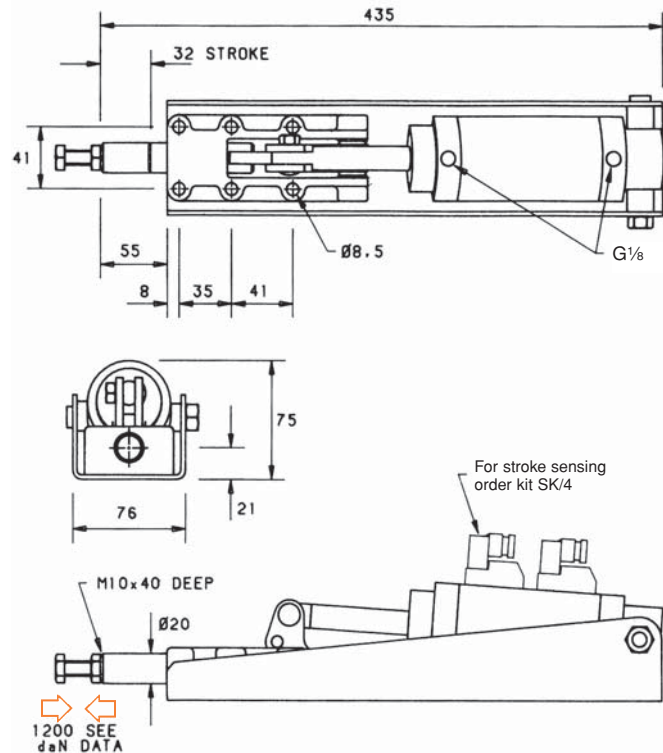
For stroke sensing order SK/4 Sensing Kit.

See "Accessories" for other items.

DATA

With 6 bar air supply pressure the output force is: daN

Fully retracted	110
5 mm extended	120
10 mm "	140
15 mm "	165
20 mm "	195
25 mm "	230
27 mm "	255
29 mm "	300
31 mm "	430
Fully extended	1150



PNEUMATIC PUSH-PULL CLAMPS

MODEL P2500X



Plunger:
Locks in fully extended position only.

Base:
Body mounting.

Nominal Holding Force:
2500 daN

Operating pressure range:
2-6 bar (30-88 p.s.i.g.)

Max. cycles/min. at 6 bar:
45.

Swept volume per cycle:
0.6 L³ (36.6 cu. in.)

Weight:
7.40 Kg

Supplied complete with:
MB1250 Setscrew & nut.

For stroke sensing order SK/5 Sensing Kit.

See "Accessories" for other items.

DATA

With 6 bar air supply pressure the output force is: daN

Fully retracted	130
5 mm extended	140
10 mm "	160
15 mm "	175
20 mm "	200
25 mm "	210
30 mm "	245
35 mm "	265
40 mm "	325
45 mm "	420
47 mm "	490
49 mm "	700
Fully extended	1450

