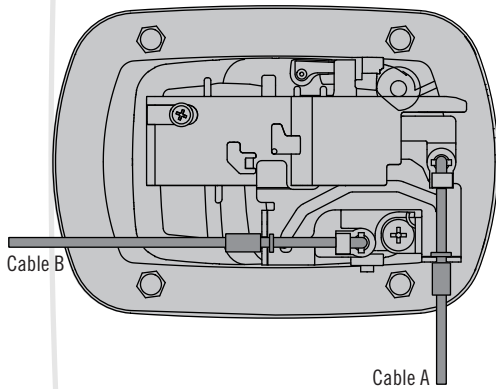
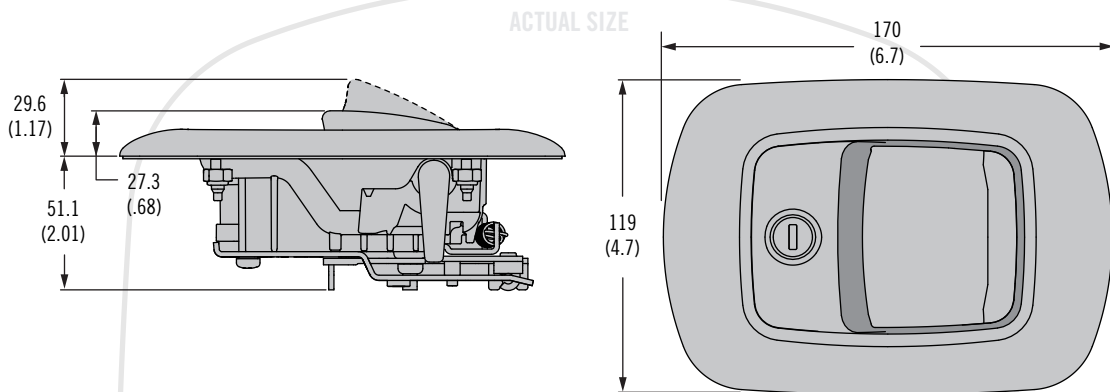


AC-20 Multi Point Actuator

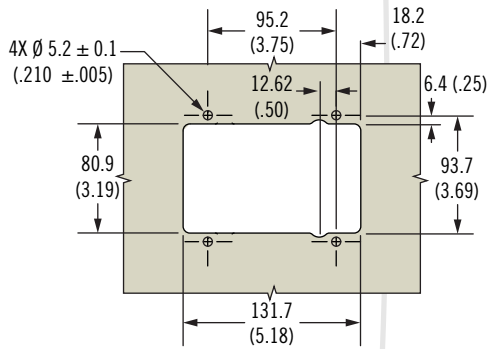
Pull-to-open Paddle



263B



Panel Preparation



Maximum Door Thickness - 8 (.32)

- Single or multi-point actuation capability
- Compatible with a wide range of rotary latches
- Environmentally sealed

Material and Finish

Housing: Glass-filled nylon, black

Paddle: Zinc alloy, black powder coated or chrome plated

Installation Notes

Maximum tightening torque on supplied mounting nuts 3 N·m (27 in·lbf)

Notes

For lock core selection and a complete overview of the *SOUTHCO*® Key-Choice System see page 158

Can be configured with 1 or 2 cables, see page 272.

Recommended cable type 7

Part Number

See table

AC - 20 - 3 L 1 - PP - KC

L Locking Options

- 1 Reversible Key (No Keys - R001)
- 2 Reversible Key (2 Keys included - R001)
- 3 Reversible Key (Keyed differently - 2 keys included)
- 4 Standard Key (No keys - CH751)
- 5 Standard Key (2 Keys included - CH751)
- 6 Standard Key (Keyed differently - 2 keys included)
- 9 No Lock Plug installed (See notes for more information)

KC Key Codes

- (Omit for Locking Options 1, 2, 4, 5 and 9)
- *KD10 Keyed Differently (Only used if L =3 or 6)
 - *MK10 Master Keyed Differently (Only used if L =6)

*Supplied in multiples of 10 with 10 different key codes.

- PP Paddle Finish**
- 30 Chrome, polished
 - 50 Black powder coated



R3-22 Multi Point Actuator

Pull-to-open Paddle

- Single or multi-point actuation capability
- Compatible with a wide range of rotary latches
- Environmentally sealed

Material and Finish

Latch assembly: Zinc alloy, black or white powder coated or chrome plated.
 Mounting bracket: Steel, zinc plated

Installation Notes

Maximum tightening torque on mounting screws: 2 N•m (14 in•lbf)

Notes

For lock core selection and a complete overview of the *SOUTHCO*® Key-Choice System see page 158

Can be configured with 1 or 2 cables. Recommended cable type 7. Cable mounting brackets sold separately. (See page 275).

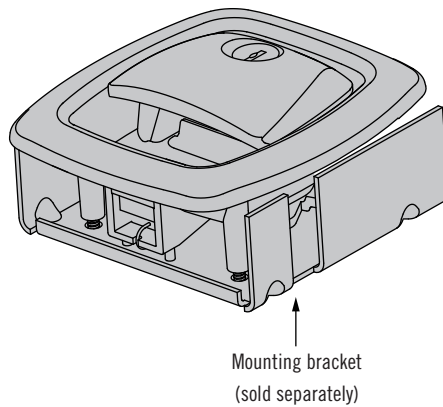
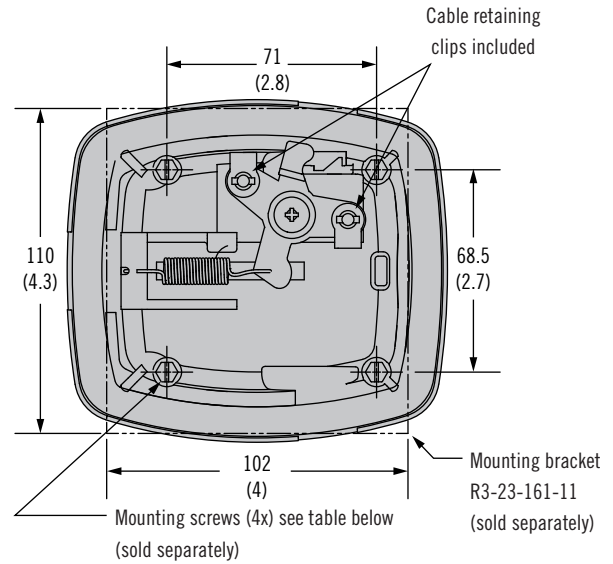
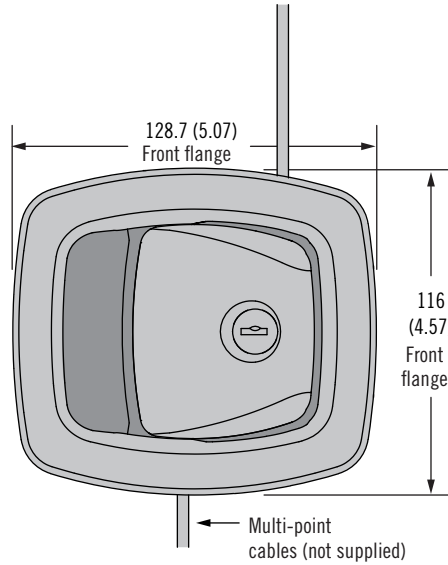
Part Number

Order latch, bracket and mounting screws separately

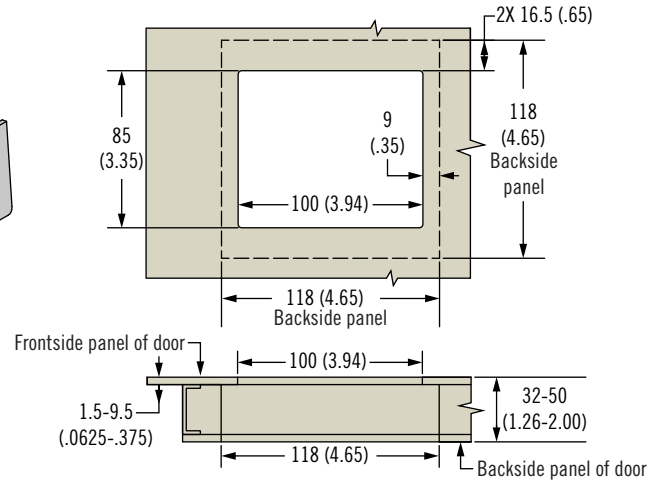
For latch see table

For mounting bracket, order part number R3-23-161-11

See table for mounting screws



Panel Preparation



R3 - 22 - 3 L 0 - F 0

L Locking Options

- 0 Non-locking
- 1 Reversible Key (No keys - R001)
- 2 Reversible Key (2 keys included - R001)
- 4 Standard Key (No keys - CH751)
- 5 Standard Key (2 Keys included - CH751)
- 9 No lock plug installed (see notes for more information)

F Finish

- 1 Polished chrome
- 5 Black powder coated
- 7 White powder coated

Screws for Mounting Bracket Part Number R3-23-161-11

Front Door Thickness	No. 8 Self Tapping Screw (order 4 per latch)
1.5 (.062) - 4.8 (.187)	R3-23-250-01
4.8 (.187) - 9.5 (.375)	R3-23-250-02

Other options available. For complete details on variety, part numbers, installation and specification, go to



www.southco.com/AC

Dimensions in millimeters (inch) unless otherwise stated



AC-10 Actuator

Large handle • Flush mount

- Rear mount installation
- Flush mounting style
- Single, multi-point or direct pull actuation capability
- Multiple key code options
- Non-Locking option

Material and Finish

Housing, handle, rotating linkage: glass-filled reinforced nylon, black

Threaded stud and cable bracket retainers: steel, zinc nickel

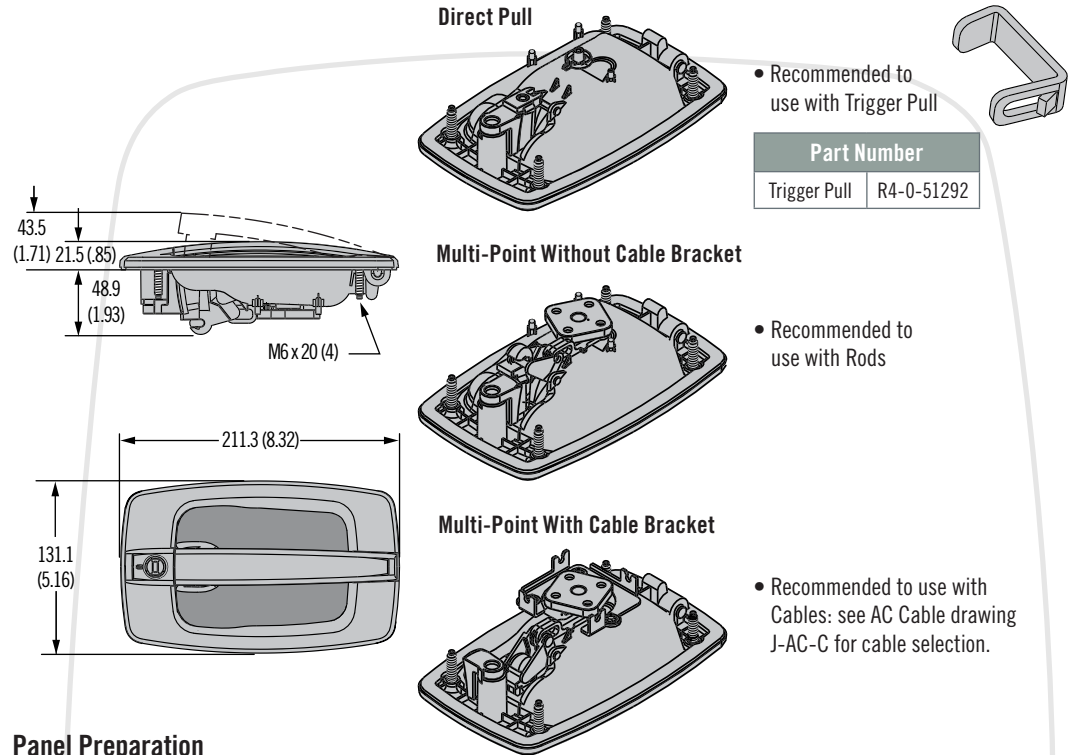
Housing and handle gaskets: adhesive backed foam, black

Installation Notes

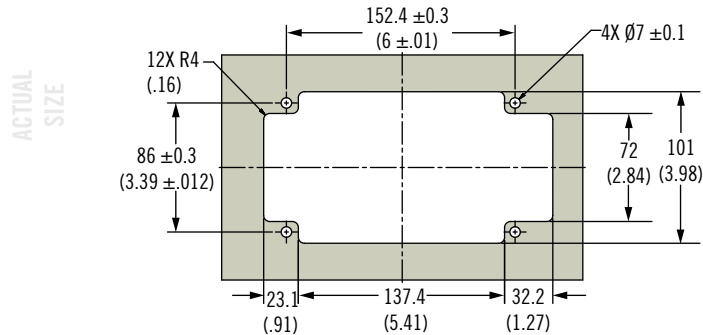
Mounting nut (M6 x 1) not supplied. Installation torque of mounting nuts not to exceed 7 N•m (62 in-lbf)

Notes

AC-10 can only use snub end coupling (Type 6 or 7 cable).



Panel Preparation



Part Number Selection

Notes:

For use with Rods / Cables, recommended Snap-in Retainer for Rotator Plate: Southco Part Number R4-0-43922. See Trade Drawing J-R4-0-43922 for more details and options.

For lock core selection, detailed key information and a complete overview of the *SOUTHCO*® Key-Choice System see PK Lock Cores section.

For unique key code options, please contact customer service.

S Actuation Style

- 1 Single Point, Direct Pull
- 2 Multi-Point, without Cable Bracket
- 3 Multi-Point, with Cable Bracket

L Locking Options

- 0 Non-Locking
- 1 Reversible key (No keys - R001)
- 2 Reversible key (2 keys included - R001)
- 3 Reversible key (keyed differently - 2 keys included)
- 4 Standard key (No keys - CH751)
- 5 Standard key (2 keys included - CH751)
- 6 Standard key (keyed differently - 2 keys included)
- 9 No Lock Plug installed (See notes for more information)

KC Key Codes

(Omit for Locking Options 0, 1, 2, 4, 5 and 9)
 *KD10 Keyed Differently (Only used if L =3 or 6)
 *MK10 Master Keyed Differently (Only used if L =6)

*Supplied in multiples of 10 with 10 different key codes.

AC - 10 - S L 1 - 11 - KC



www.southco.com/AC

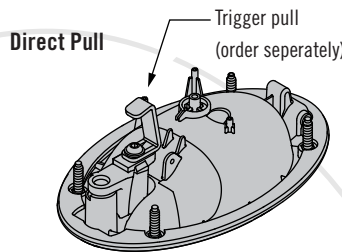
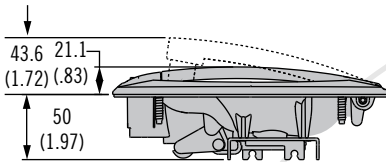
Dimensions in millimeters (inch) unless otherwise stated

AC-11 Actuator

Large Handle • Flush Mount

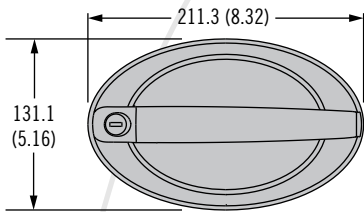


264A

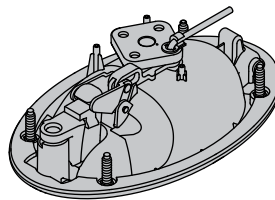


- Recommended to use with Trigger Pull

Part Number	
Trigger Pull	R4-0-51292

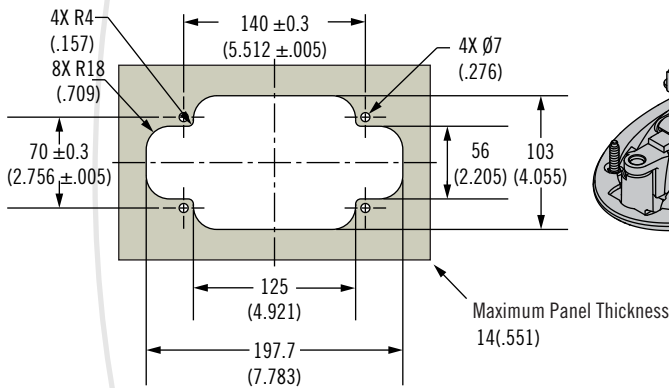


Multi-Point Without Cable Bracket

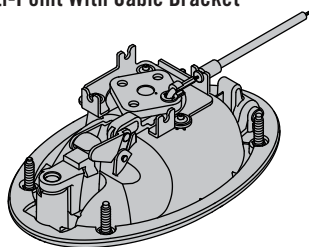


- Recommended to use with Rods

Panel Preparation



Multi-Point With Cable Bracket



- Recommended to use with Cables: see AC Cable drawing J-AC-C for cable selection.

- Rear mount installation
- Flush mounting style
- Single, multi-point or direct pull actuation
- Multiple key code options
- Non-locking option

Material and Finish

Housing, handle, linkage: glass-filled nylon, black

Threaded stud and cable bracket retainers: steel, zinc nickel plated

Housing and handle gaskets: Adhesive backed foam, black

Installation Notes

Mounting nut (M6 x 1) not supplied. Installation torque of mounting nuts not to exceed 7 N•m (62 in-lbf)

Notes

AC-11 can only use snub end coupling (Type 6 or 7 cable).

Part Number Selection

Notes:

For use with Rods / Cables, recommended Snap-in Retainer for Rotator Plate: Southco Part Number R4-0-43922. See Trade Drawing J-R4-0-43922 for more details and options.

For lock core selection, detailed key information and a complete overview of the SOUTHCO® Key-Choice System see PK Lock Cores section.

For unique key code options, please contact customer service.

Other options available. For complete details on variety, part numbers, installation and specification, go to



www.southco.com/AC

S Actuation Style

- 1 Single Point, Direct Pull
- 2 Multi-Point, without Cable Bracket
- 3 Multi-Point, with Cable Bracket

L Locking Options

- 0 Non-Locking
- 1 Reversible key (No keys - R001)
- 2 Reversible key (2 keys included - R001)
- 3 Reversible key (keyed differently - 2 keys included)
- 4 Standard key (No keys - CH751)
- 5 Standard key (2 keys included - CH751)
- 6 Standard key (keyed differently - 2 keys included)
- 7 Reversible Key (2 keys included - 14603)
- 9 No Lock Plug installed (See notes for more information)

KC Key Codes

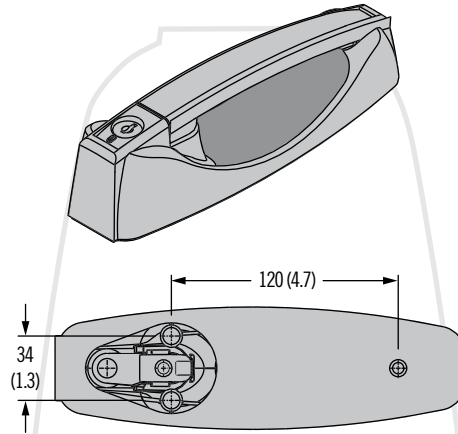
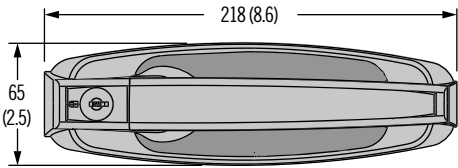
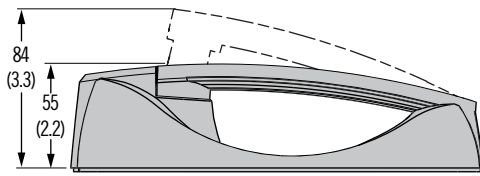
- (Omit for Locking Options 0, 1, 2, 4, 5 and 9)
 *KD10 Keyed Differently (Only used if L =3 or 6)
 *MK10 Master Keyed Differently (Only used if L =6)

*Supplied in multiples of 10 with 10 different key codes.

AC - 11 - S L 1 - 11 - KC

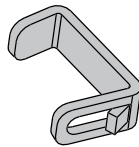
AC-15 Actuator

Large Handle • Surface Mount



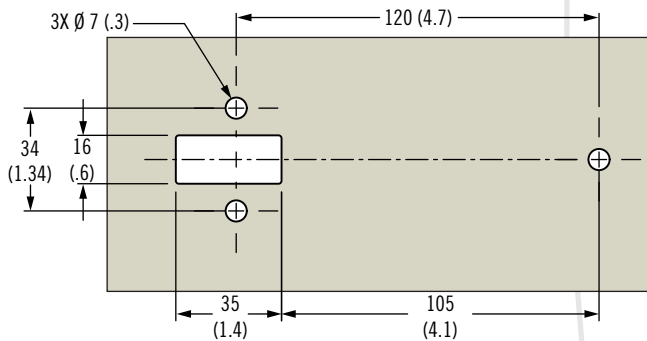
Trigger Pull

Actuator is recommended to use with Trigger Pull

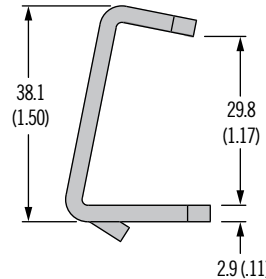


Part Number	
Trigger Pull	R4-0-51292

Panel Preparation



ACTUAL SIZE



- Rear mount installation
- Surface mounting style
- Direct pull actuation
- Multiple key code options
- Non-locking option

Material and Finish

Housing, handle, linkage:
glass-filled reinforced nylon, black

Threaded inserts: brass, natural

Housing and handle gaskets:
adhesive backed foam, black

Installation Notes

Mounting hardware (M6 x 1) not supplied. Recommended screw length=panel thickness + 10.0 (.39) Installation torque of mounting nuts not to exceed 7 N•m (62 in-lbf)

Part Number Selection

Notes:

For lock core selection, detailed key information and a complete overview of the *SOUTHCO*® Key-Choice System see PK Lock Cores section.

For unique key code options, please contact Southco.

AC - 15 - 1 L 1 - 11 - KC

L Locking Options

- 0 Non-Locking
- 1 Reversible key (No keys - R001)
- 2 Reversible key (2 keys included - R001)
- 3 Reversible key (keyed differently - 2 keys included)
- 4 Standard key (No keys - CH751)
- 5 Standard key (2 keys included - CH751)
- 6 Standard key (keyed differently - 2 keys included)
- 9 No Lock Plug installed (See notes for more information)

KC Key Codes

(Omit for Locking Options 0, 1, 2, 4, 5 and 9)
 *KD10 Keyed Differently (Only used if L=3 or 6)
 *MK10 Master Keyed Differently (Only used if L=6)
 *Supplied in multiples of 10 with 10 different key codes.



AC-30 Multi Point Actuator

Push-Button

- Single or multi-point actuation capability
- Accommodates wide panel thickness
- Multiple key code options
- Single hole install

Material and Finish

Button: Nylon

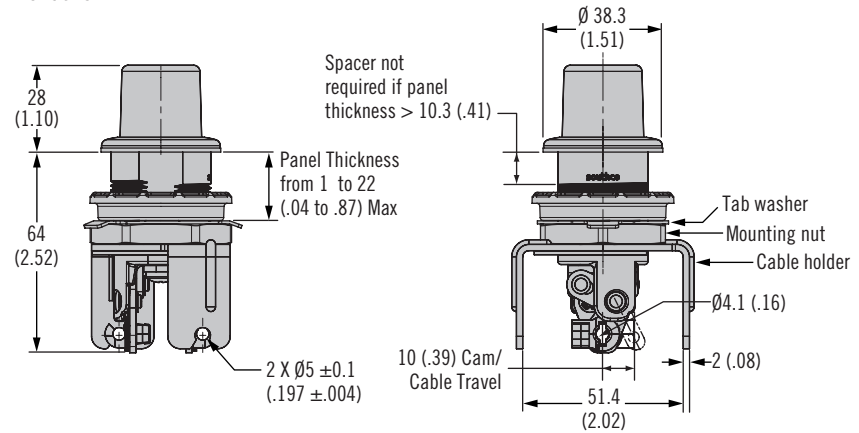
Housing: Zinc or Stainless steel

Lock Plug: Zinc

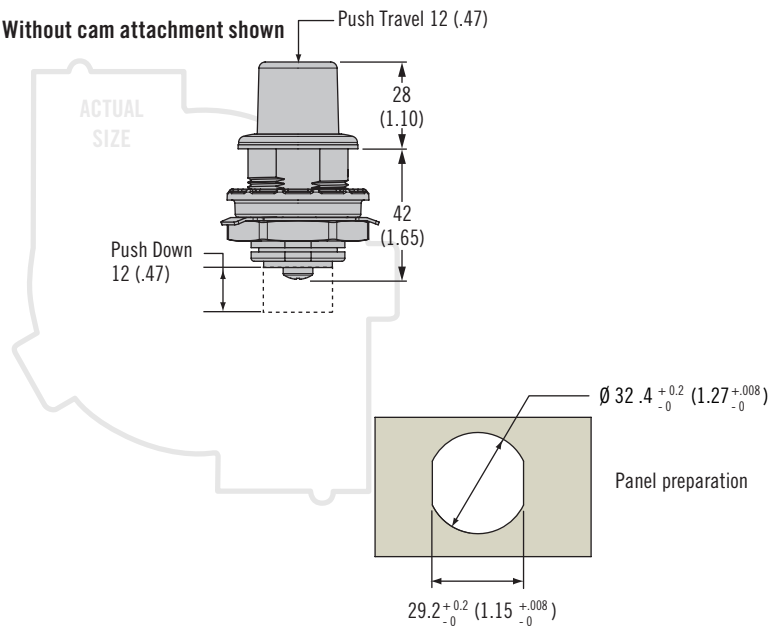
Cam, Washer, Rivet:

Stainless steel, passivated

With cam attachment shown



Without cam attachment shown



Part Number Selection

E End Style

- 1 With Cam attached
- 3 Without Cam attachment

H Housing Material

- 1 Zinc alloy with black powder coat
- 3 Stainless steel with black powder coat

B Button Material

- 1 Nylon, black

L Locking Option

- 1 Reversible key (No keys - R001)
- 2 Reversible key (2 keys included - R001)
- 3 Reversible key (Multiple key codes - 2 keys included)
- 4 Standard key (No keys - CH751)
- 5 Standard key (2 keys included - CH751)
- 6 Standard key (Multiple key codes - 2 keys included)

M Mounting Method

- 1 With spacer mounting (must have if glass panel)
- 2 Without spacer mounting

K Key Codes
(Omit for locking options 1,2,4 and 5)
KD10 Keyed differently (10 codes)
MK10 Master keyed, keyed differently

AC - 30 - E L M - H B - KC

Other options available. For complete details on variety, part numbers, installation and specification, go to



www.southco.com/AC

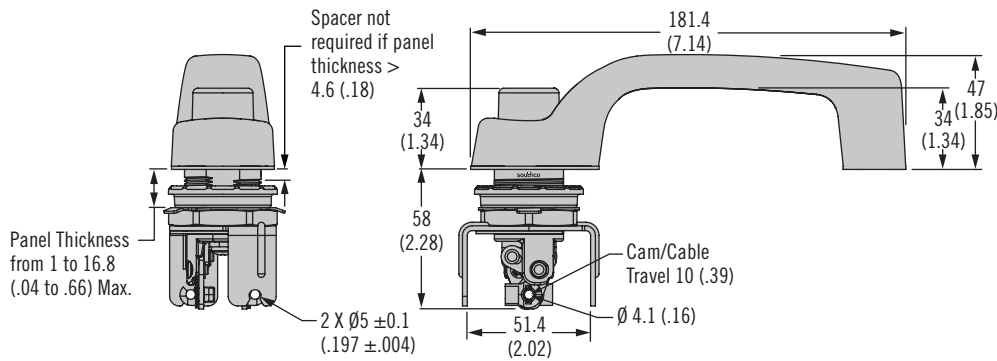
Dimensions in millimeters (inch) unless otherwise stated

southco
CONNECT · CREATE · INNOVATE

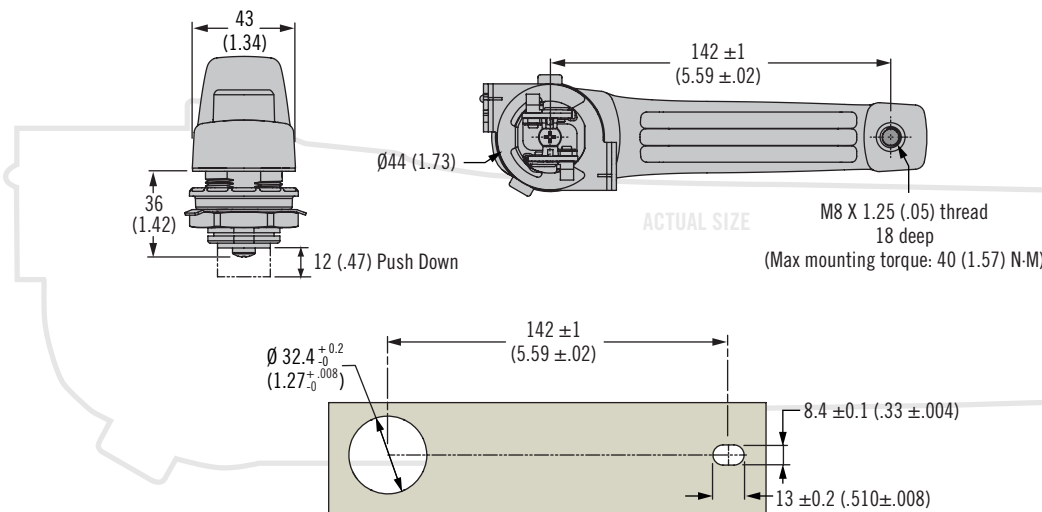
AC-40 Multi Point Actuator Push-Button Handle



With cam attachment shown



Without cam attachment shown



- Single or multi-point actuation capability
- Accommodates wide panel thickness
- Multiple key code options
- Easy Grip

Material and Finish

Button: Nylon
 Housing: Zinc Alloy or Stainless steel
 Lock plug: Zinc Alloy
 Cam, Washer, Rivet: Stainless steel, passivated

Part Number Selection

E End Style

- 1 With Cam attached
- 3 Without Cam attachment

H Handle Material

- 1 Black GF nylon with zinc housing insert
- 2 Black GF nylon with stainless steel housing insert

B Button Material

- 1 Nylon, black

L Locking Option

- 1 Reversible key (No keys - R001)
- 2 Reversible key (2 keys included - R001)
- 3 Reversible key (Multiple key codes - 2 keys included)
- 4 Standard key (No keys - CH751)
- 5 Standard key (2 keys included - CH751)
- 6 Standard key (Multiple key codes - 2 keys included)

M Mounting Method

- 1 Cable parallel (or no cable), with spacer mounting (must have if glass panel)
- 2 Cable parallel (or no cable), without spacer mounting
- 3 Cable cross with spacer mounting (must have if glass panel)
- 4 Cable cross without spacer mounting

K Key Codes
 (Omit for locking options 1,2,4 and 5)
KD10 Keyed differently (10 codes)
MK10 Master keyed, keyed differently

AC - 40 - E L M - H B - KC





AC Single Point Actuator T-handle

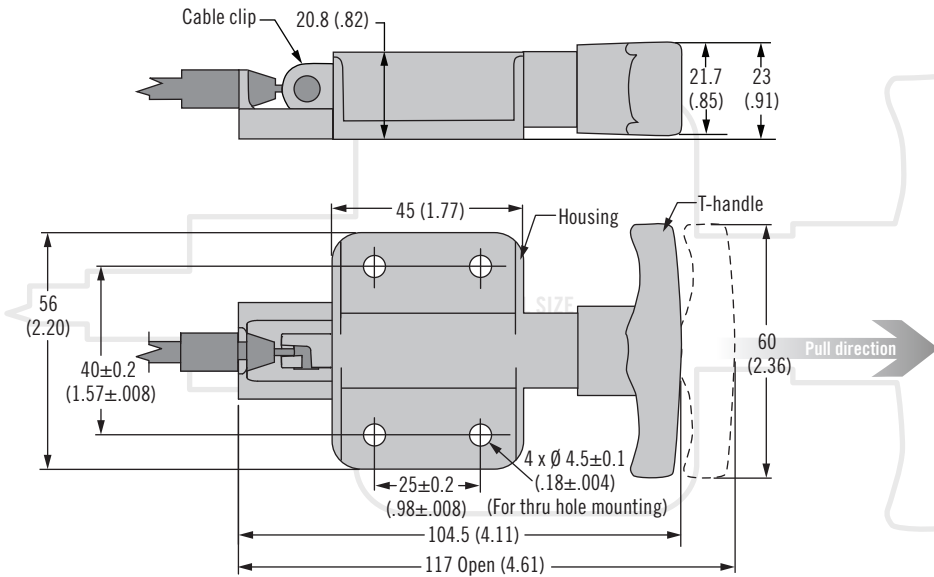
- Surface mount installation
- Generous grip area
- Pull to activate

Material and Finish

Housing: PC/ABS, black
 T-handle and slide: Glass-filled nylon, black
 Clip: Acetal, black
 Spring: Stainless steel, passivated

Part Number

See table



Part Number
AC-60-101-11



www.southco.com/AC



AC Single Point Actuator Plastic paddle and housing

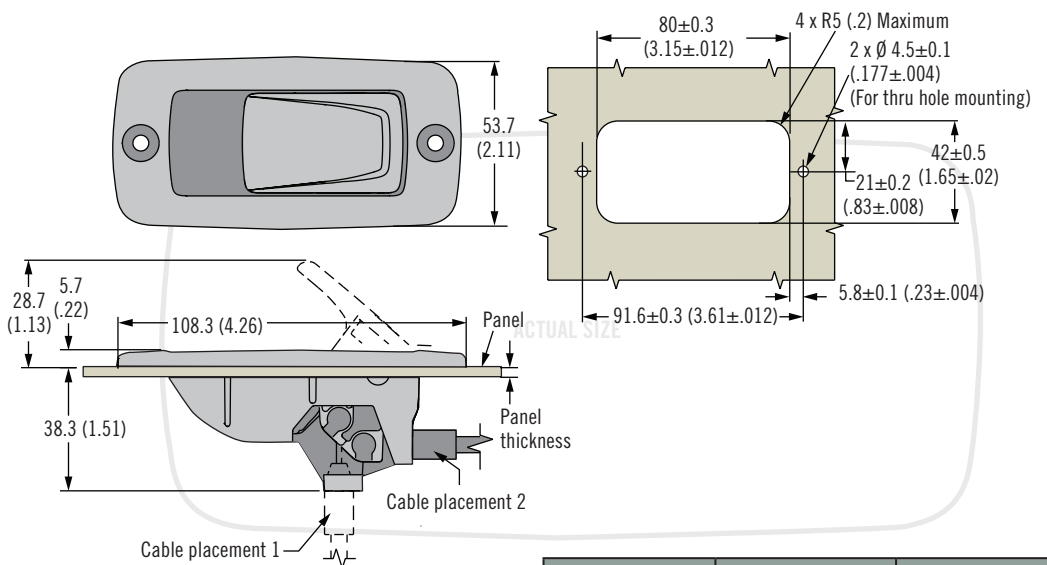
- Front mount installation
- Flush
- Two cable mounting options

Material and Finish

Paddle and housing: Glass-filled nylon, black
 Spring: Stainless steel, passivated

Part Number

See table



Part Number
AC-70-101-11

Cable Orientation	Panel Thickness	Cable Travel
Placement 1	12.5 (.49) maximum	11.1 (.44)
Placement 2	16 (.63) maximum	13.2 (.52)

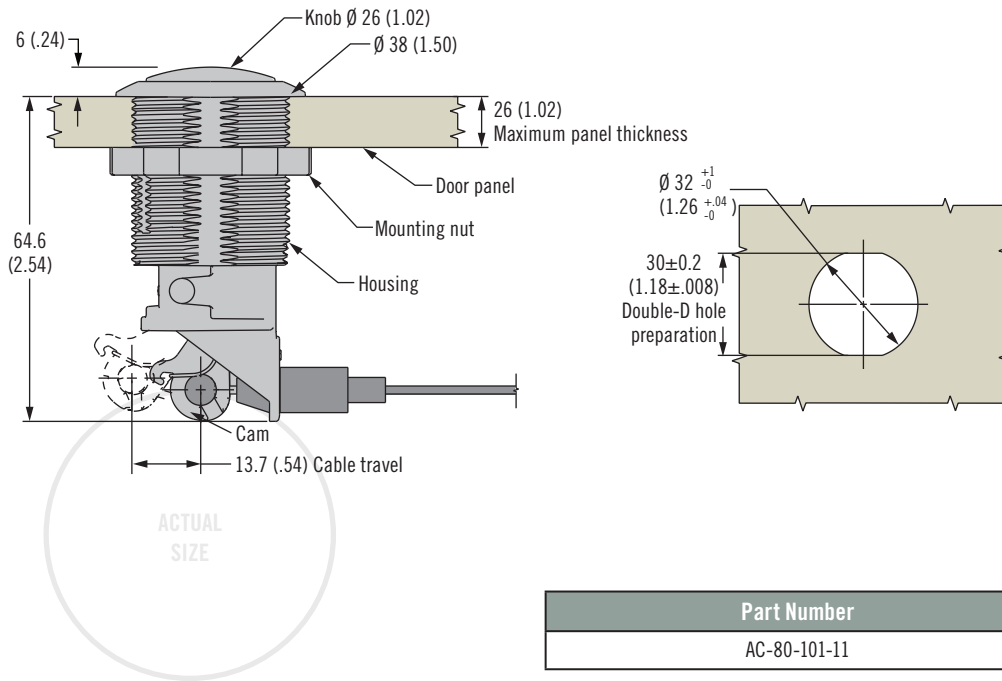
Other options available. For complete details on variety, part numbers, installation and specification, go to



www.southco.com/AC

Dimensions in millimeters (inch) unless otherwise stated

AC Single Point Actuator Push-button



- Flush
- Mounting hardware included

Material and Finish

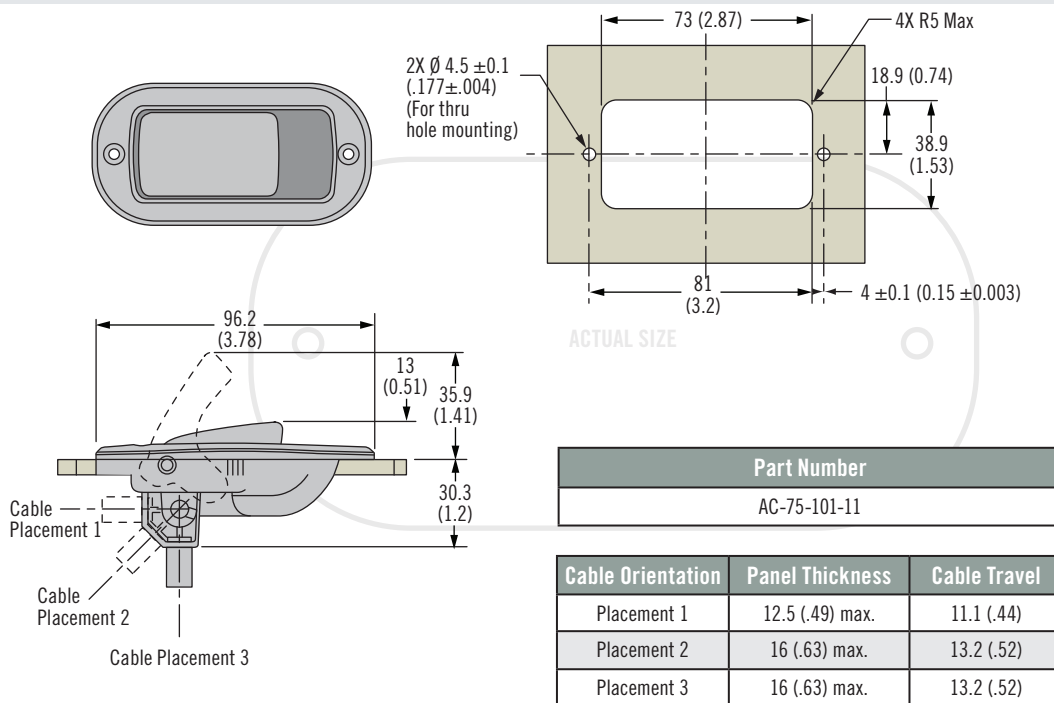
Push button and housing:
PC/ABS, black
Cam: Glass-filled nylon, black
Spring: Stainless steel, passivated

Part Number

See table

www.southco.com/AC

AC Single Point Actuator Aluminum paddle and housing



- Front mount installation
- Three cable mounting options
- Low profile
- Robust material

Material and Finish

Paddle and housing:
Aluminum, black powder coated

Notes

AC-75 can only use snub end coupling (Type 6 or 7 cable).

Part Number

See table

Other options available. For complete details on variety, part numbers, installation and specification, go to



www.southco.com/R4



AC-50 Single Point Actuator

Squeeze handle

- Single actuation capability
- Accommodates tubular construction or rounded mounting surfaces

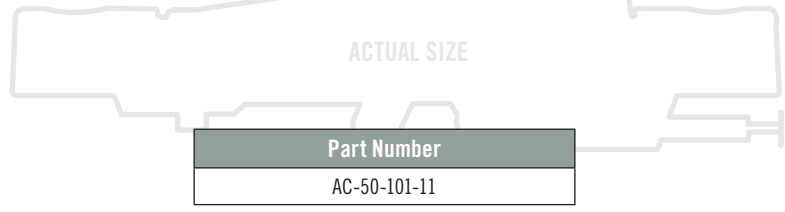
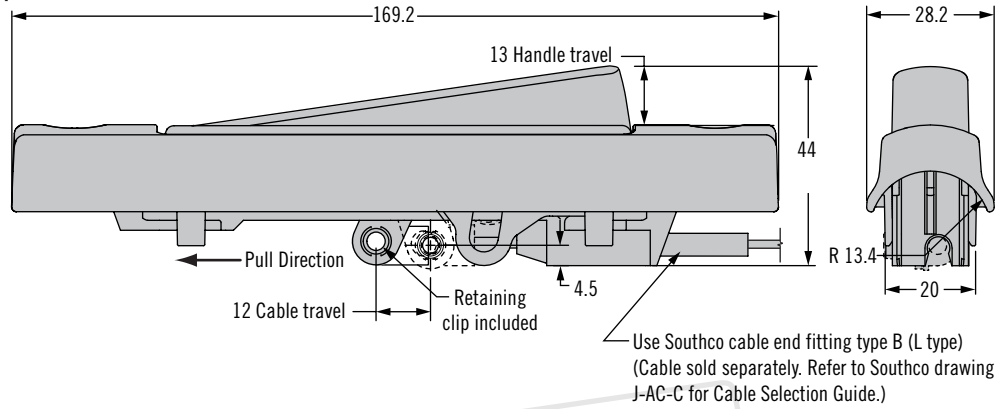
Material and Finish

Housing, handle: Glass-filled nylon, black

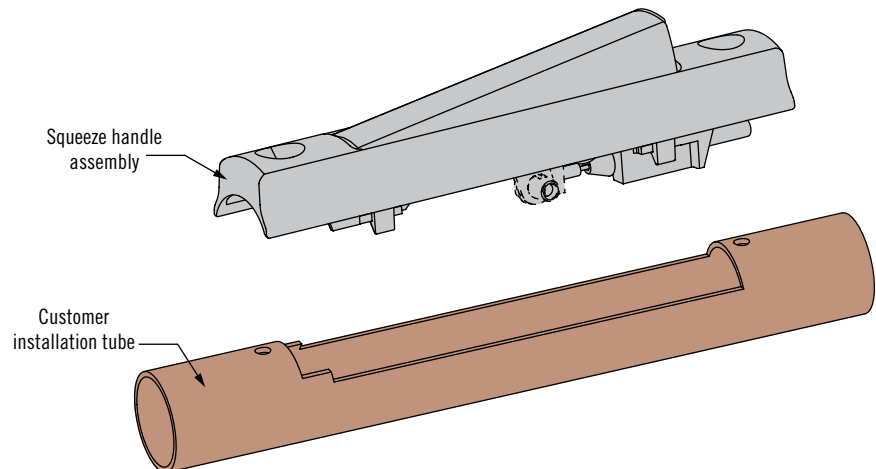
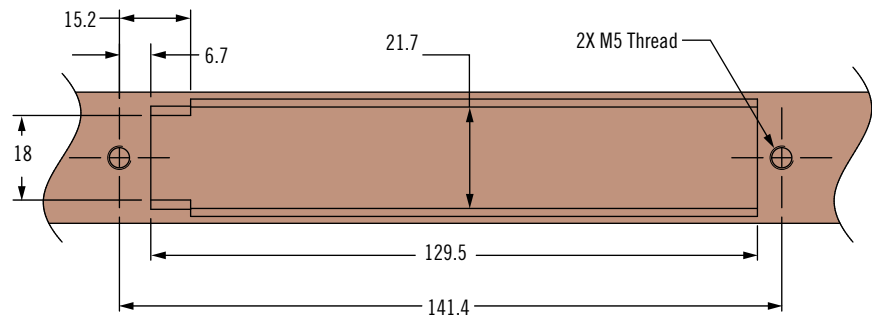
Installation Notes

Installation torque of screws not to exceed 2 N•m maximum (Countersunk screws or rivets recommended)

Squeeze Handle



Panel Preparation



Other options available. For complete details on variety, part numbers, installation and specification, go to



www.southco.com/AC

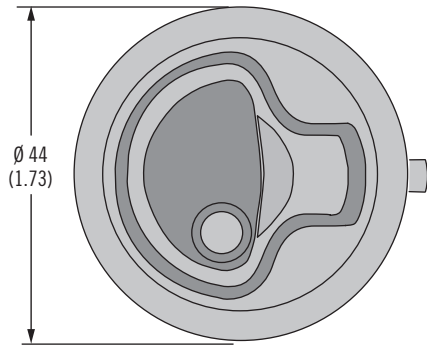
Dimensions in millimeters (inch) unless otherwise stated

AC Single Point Actuators

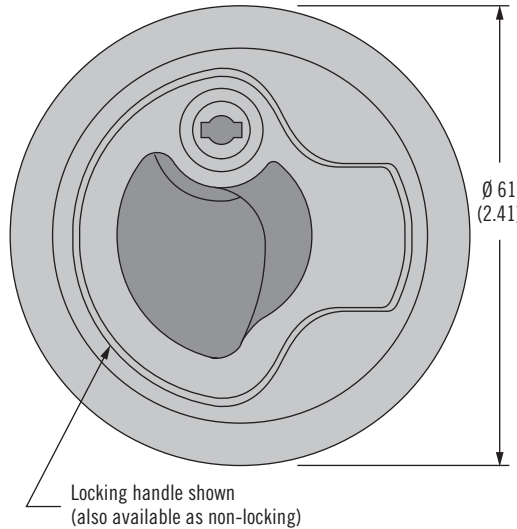
Stainless Steel · M1 Style Actuator



38mm (1.5")
Shown actual size



50mm (2")
Shown actual size



- Single, round-hole installation
- Locking style restricts access
- Premium finish and corrosion resistance

Material and Finish

Latch: 316 grade stainless steel, bright polished
 Spacer: Nylon, black
 Contact Southco for other finishes

Performance Details

Max. static load: 545 N (122 lbf)

Accessories - 38mm (1.5")

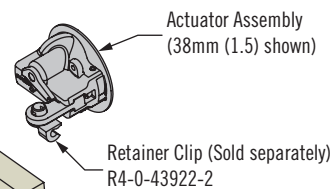
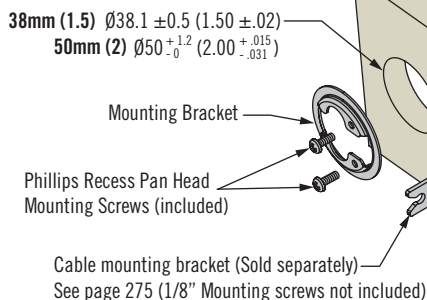
Spacer: M1-510-96-1
 Mounting screws: M1-510-96-4
 One key supplied per latch for additional keys order
 M7-88-9121324-S



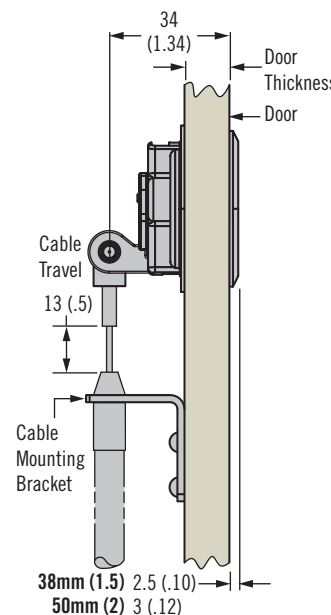
Accessories - 50mm (2")

For lock style 4
 Key (pair)
 Part number: M1-546

For lock style 7
 Overmolded key S008 (pair)
 Part number:
 M1-525-39-S008



Size	Actuator Assembly	Part Number	Door Thickness	Cable Mounting Bracket
38mm (1.5)	Locking (2 keys supplied)	AC-M1-15-41-8	9 mm	R4-0-50253-1
			12 mm	R4-0-50253-2
	Non-Locking	AC-M1-15-61-8	9 mm	R4-0-50253-1
			12 mm	R4-0-50253-2
50mm (2)	Locking (2 keys supplied)	AC-M1-42-8	9 mm	R4-0-50253-1
			AC-M1-43-8	12 mm
	Non-Locking	AC-M1-62-8		9 mm
			AC-M1-63-8	12 mm
	Key-Locking keyed alike S008	AC-M1-72-8		9 mm
			AC-M1-73-8	12 mm



Cables

Constructed from marine grade stainless materials, the cable is suitable for multiple bends and can be further customized upon request.





64 Push-to-Close Actuator

Pull-to-open · Paddle handle actuator · Multi-point · Large

- Flush mounting installation
- Multiple mounting styles
- Locking and Non-Locking options

Material and Finish

Stainless steel, polished, steel, zinc plated or black powder coated

Accessories

Flat key, keyed alike CH751
(2 keys per ring)
Part number: PK-10-01

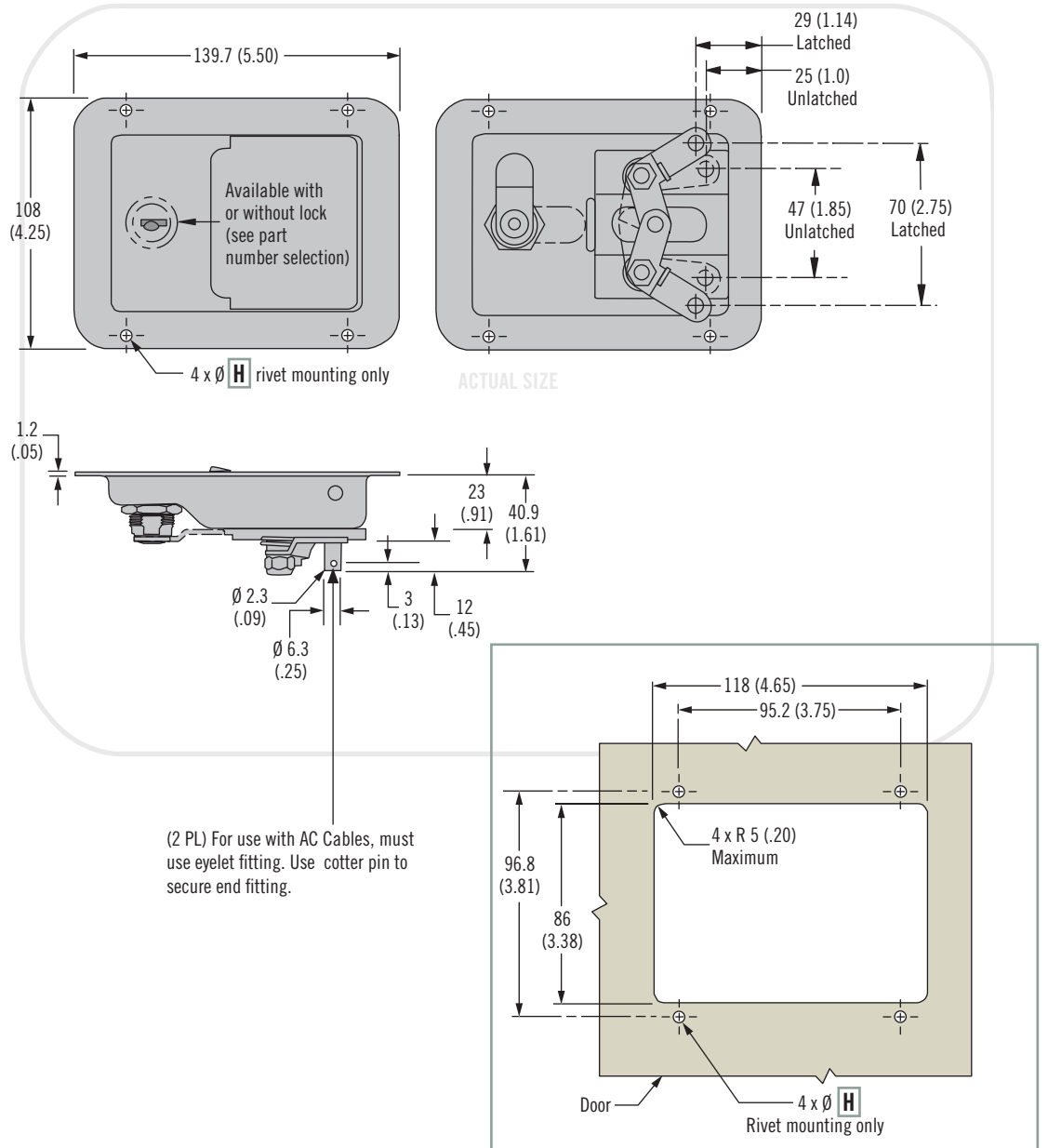


Overmolded key, keyed alike CH751
(2 keys per ring)
Part number: PK-10-01-05



Notes

AC Cable end fitting must be eyelet for this actuator (Page 272)



Part Number Selection

- | | | |
|--------------------------------|---|-------------------------------|
| H Housing | ← | M Material |
| 0 Weld | | 10 Steel, zinc plated |
| 1 Rivet through hole 4.9 (.19) | | 20 Stainless steel, polished |
| 2 Rivet through hole 5.2 (.20) | | 50 Steel, black powder coated |

64 - 40 - 4 L H - M

- | | |
|--|---|
| L Lock style | ← |
| 0 Non-locking | |
| 1 Key-locking keyed alike CH751 (2 Flat keys supplied) | |

Other options available. For complete details on variety, part numbers, installation and specification, go to

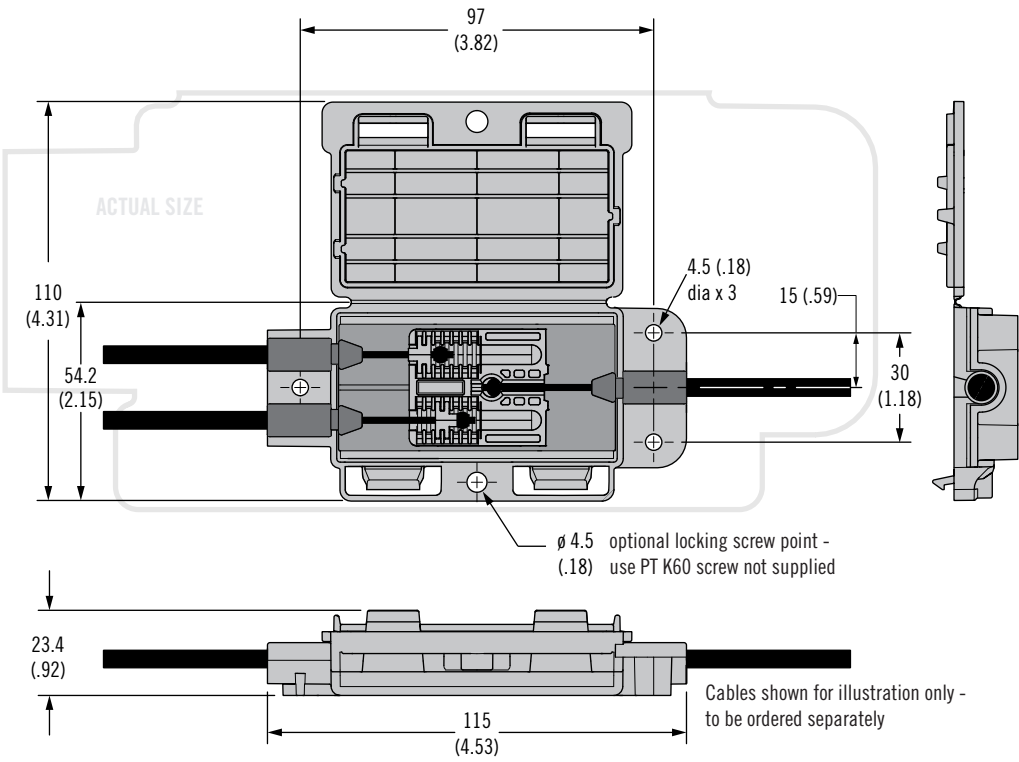
INFO CLIC www.southco.com/64

Dimensions in millimeters (inch) unless otherwise stated

- Allows one actuation point for two rotary latches or two actuation points for one rotary latch
- Adjustable to fine tune timing of actuation points
- Cable splitter and cables sold separately

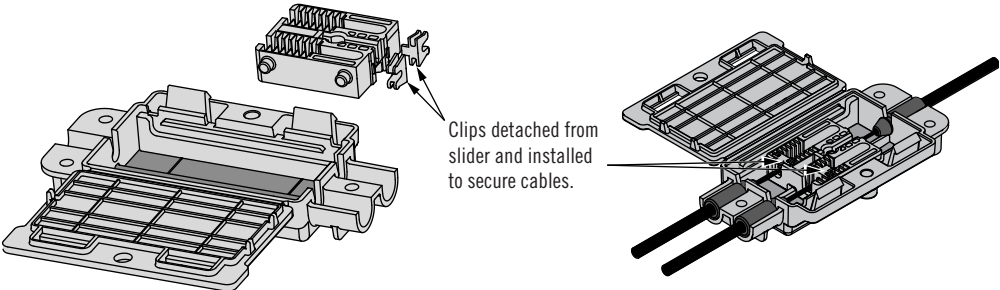
Material and Finish

Housing: Black Polypropylene
 Slider: Black Glass-filled nylon
 See page 272 and 273 for cable end fitting and cable type



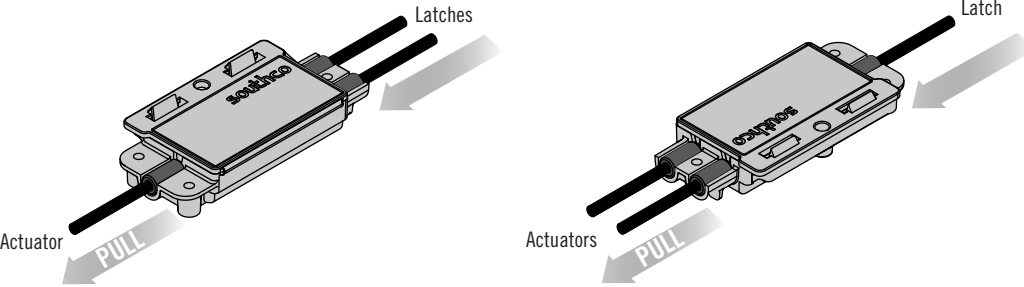
Packaged Delivery Condition

After customer assembly



One actuation point for two rotary latches

Two actuation points for one rotary latch



Part Number
AC-05-301-11

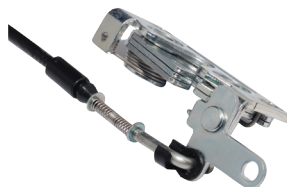
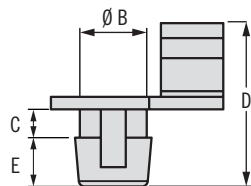
Other options available. For complete details on variety, part numbers, installation and specification, go to



www.southco.com/AC



Retainer Clip



- For use with $\varnothing 4$ (.157) rod or Southco cable assembly

Material and Finish

Clip: Acetal

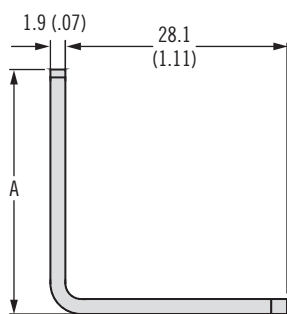
Bracket: Steel

Part Number

See table

Latch Series	Trigger / Lever Type	Part Number	Color	B	C	D	E	Trigger / Lever Hole Diameter	Trigger / Lever Thickness
R4-05	Bottom	R4-0-60784	Beige	5.9 (.23)	3.5 (.13)	16.4 (.65)	2.8 (.11)	6.4 (.25)	3 (.12)
R4-10	Perpendicular In-line Two Point	R4-0-43922	Black	5.9 (.23)	2.5 (.10)	14.4 (.57)	4.3 (.17)	6.3 (.25)	2 (.08)
		R4-0-43922-3	Red	5.9 (.23)	2.5 (.10)	14.4 (.57)	4.3 (.17)	6.3 (.25)	2 (.08)
	Bottom / Top	R4-0-43922-2	Black	5.9 (.23)	4.5 (.18)	16.4 (.65)	4.3 (.17)	6.3 (.25)	4 (.16)
	Dual Trigger	R4-0-43922	Black	5.9 (.23)	2.5 (.10)	14.4 (.57)	4.3 (.17)	6.3 (.25)	2 (.08)
		R4-0-43922-3	Red	5.9 (.23)	2.5 (.10)	14.4 (.57)	4.3 (.17)	6.3 (.25)	2 (.08)
		R4-0-43922-2	Black	5.9 (.23)	4.5 (.18)	16.4 (.65)	4.3 (.17)	6.3 (.25)	4 (.16)
R4-30	Perpendicular Two Point	R4-0-43922	Black	5.9 (.23)	2.5 (.10)	14.4 (.57)	4.3 (.17)	6.3 (.25)	2 (.08)
		R4-0-43922-3	Red	5.9 (.23)	2.5 (.10)	14.4 (.57)	4.3 (.17)	6.3 (.25)	2 (.08)
	Bottom	R4-0-43922-2	Black	5.9 (.23)	4.5 (.18)	16.4 (.65)	4.3 (.17)	6.3 (.25)	4 (.16)
R4-20	Bottom	R4-0-43922-1	White	6.3 (.25)	4.5 (.18)	16.4 (.65)	4.3 (.17)	6.7 (.26)	4 (.16)
R4-50	Perpendicular			6.3 (.25)	4.5 (.18)	16.4 (.65)	4.3 (.17)	6.7 (.26)	4 (.16)

Cable Mounting Bracket



Part Number	A
R4-0-50253-1	31 (1.22)
R4-0-50253-2	28 (1.10)
R4-0-50253-3	19 (.75)

