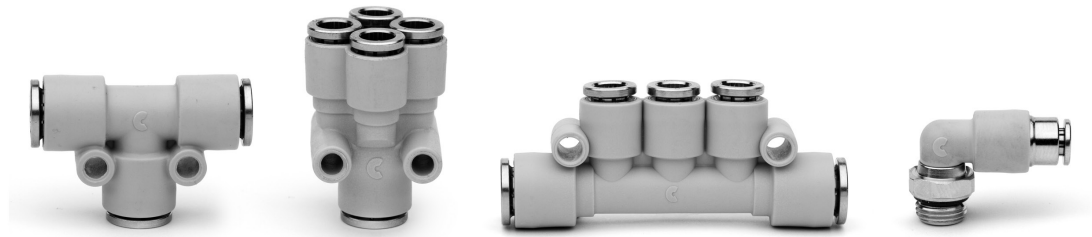


# Series 7000 super-rapid Compact fittings in technopolymer

Tube external diameters: 4, 6, 8, 10, 12, 16 mm

Fittings threads: metric (M5, M7), BSP (G1/8, G1/4, G3/8, G1/2, G3/4)

SERIES 7000 SUPER-RAPID COMPACT FITTINGS IN TECHNOPOLYMER



Series 7000 super-rapid fittings are realized in technopolymer.

Compact and lightweight, they are suitable for applications where weight can be a key factor.

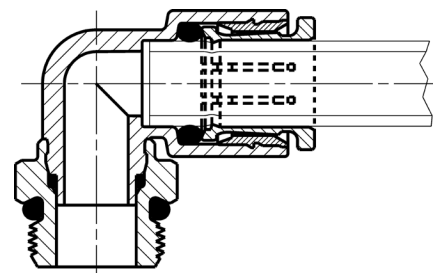
The special collet, which has been designed properly for this series, provides an homogeneous tight on the whole surface of plastic tubes, thus ensuring high reliability and long service life, also after connections and disconnections of the tube are repeated several times.

The wide range of these fittings includes the LF version ("Stop Fitting") which is equipped with a self-retaining device interrupting the air flow when the tube is disconnected and restores it when reconnected.

## GENERAL DATA

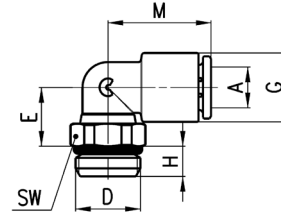
|                         |   |
|-------------------------|---|
| <b>Diameters</b>        | ø 4 - 6 - 8 - 10 - 12 - 16 mm   |
| <b>Threads</b>          | GAS cylindrical ISO-228 (BSP)   |
| <b>Temperature</b>      | -20° ÷ 60°C (see the technical data of tubing used)   |
| <b>Tube to connect</b>  | Polyamide (PA) 6 - 11 - 12, Polyurethane (PU), Polyethylene (PE), hytrel Polyester  |
| <b>Medium</b>           | compressed air (for other types of fluids, contact our engineers)   |
| <b>Materials</b>        | - standard models: body in technopolymer; insert in brass; collet in nickel-plated brass; seals in NBR<br>- models with self-retaining device: body in technopolymer; swivel nut, insert and collet nickel-plated brass; poppet valve in not nickel-plated brass; spring in stainless steel; seals in NBR |
| <b>Working pressure</b> | - standard models: -0.9 ÷ 16 bar (see the technical data of tubing used)<br>- models with self-retaining device: 0 ÷ 16 bar   |

## Fitting with connecting tube



### Fittings Mod. 7522

Metric-BSP Male Swivel Elbow

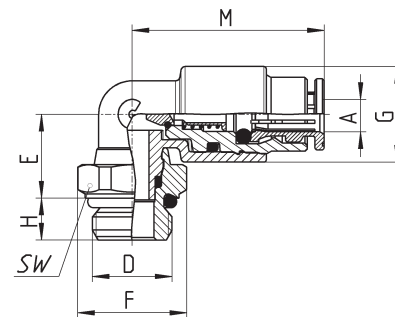
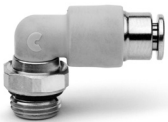


| DIMENSIONS  |    |      |      |      |     |      |    |            |
|-------------|----|------|------|------|-----|------|----|------------|
| Mod.        | A  | D    | E    | G    | H   | M    | SW | Weight (g) |
| 7522 4-M5   | 4  | M5   | 8.5  | 9.4  | 3.5 | 17   | 9  | 4          |
| 7522 4-M7   | 4  | M7   | 11   | 9.4  | 5   | 17   | 10 | 6          |
| 7522 4-1/8  | 4  | G1/8 | 9    | 9.4  | 5   | 17   | 12 | 7          |
| 7522 4-1/4  | 4  | G1/4 | 9    | 9.4  | 6   | 17   | 14 | 10         |
| 7522 6-M5   | 6  | M5   | 9.5  | 11.6 | 3.5 | 18.5 | 9  | 5          |
| 7522 6-M7   | 6  | M7   | 12   | 11.6 | 5   | 18.5 | 10 | 7          |
| 7522 6-1/8  | 6  | G1/8 | 10   | 11.6 | 5   | 18.5 | 12 | 8          |
| 7522 6-1/4  | 6  | G1/4 | 10   | 11.6 | 6   | 18.5 | 14 | 11         |
| 7522 8-1/8  | 8  | G1/8 | 13.5 | 13.9 | 5   | 20.5 | 12 | 11         |
| 7522 8-1/4  | 8  | G1/4 | 12   | 13.9 | 6   | 20.5 | 14 | 13         |
| 7522 8-3/8  | 8  | G3/8 | 12.5 | 13.9 | 7   | 20.5 | 19 | 21         |
| 7522 10-1/4 | 10 | G1/4 | 14.5 | 16.1 | 6   | 24   | 14 | 15         |
| 7522 10-3/8 | 10 | G3/8 | 13.5 | 16.1 | 7   | 24   | 19 | 21         |
| 7522 10-1/2 | 10 | G1/2 | 13.5 | 16.1 | 8   | 24   | 24 | 30         |
| 7522 12-1/4 | 12 | G1/4 | 16   | 20.2 | 6   | 28   | 17 | 20         |
| 7522 12-3/8 | 12 | G3/8 | 15   | 20.2 | 7   | 28   | 19 | 25         |
| 7522 12-1/2 | 12 | G1/2 | 15.5 | 20.2 | 8   | 28   | 24 | 34         |
| 7522 16-1/2 | 16 | G1/2 | 30   | 27   | 8   | 33.5 | 24 | 61         |
| 7522 16-3/4 | 16 | G3/4 | 24   | 27   | 9   | 33.5 | 30 | 70         |

### Fittings Mod. 7522...LF

Metric-BSP Male Swivel Elbow with self-retaining device

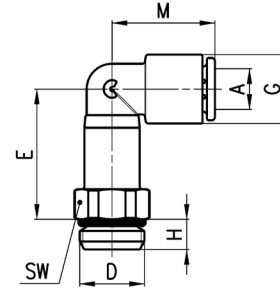
This version interrupts the air flow when the tube is disconnected and restores it when reconnected.



| Mod.          | A | D    | E    | F  | G    | H | M    | SW | weight (g) |
|---------------|---|------|------|----|------|---|------|----|------------|
| 7522 4-1/8-LF | 4 | G1/8 | 10   | 13 | 1.6  | 5 | 23   | 12 | 11         |
| 7522 6-1/8-LF | 6 | G1/8 | 13.5 | 13 | 13.9 | 5 | 37.5 | 12 | 23         |

### Fittings Mod. 7526

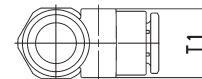
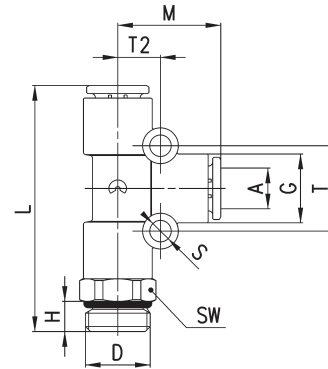
Long BSP Male Swivel Elbow



| DIMENSIONS |   |      |    |      |   |      |    |            |  |
|------------|---|------|----|------|---|------|----|------------|--|
| Mod.       | A | D    | E  | G    | H | M    | SW | Weight (g) |  |
| 7526 4-1/8 | 4 | G1/8 | 22 | 9,4  | 5 | 17   | 12 | 12         |  |
| 7526 6-1/8 | 6 | G1/8 | 23 | 11,6 | 5 | 18,5 | 12 | 13         |  |
| 7526 6-1/4 | 6 | G1/4 | 23 | 11,6 | 5 | 18,5 | 14 | 16         |  |
| 7526 8-1/8 | 8 | G1/8 | 29 | 13,9 | 5 | 20,5 | 12 | 18         |  |
| 7526 8-1/4 | 8 | G1/4 | 27 | 13,9 | 6 | 20,5 | 14 | 20         |  |

### Fittings Mod. 7442

Lateral BSP Swivel Male Tee

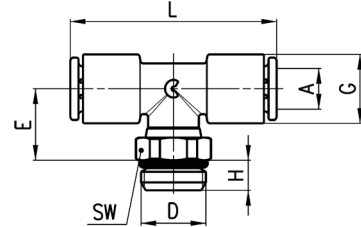


| DIMENSIONS  |    |      |      |   |      |      |   |      |      |     |    |            |
|-------------|----|------|------|---|------|------|---|------|------|-----|----|------------|
| Mod.        | A  | D    | G    | H | L    | M    | S | T    | T1   | T2  | SW | Weight (g) |
| 7442 4-1/8  | 4  | G1/8 | 9,4  | 5 | 40   | 16,5 | 4 | 13   | 9,2  | 6,5 | 12 | 11         |
| 7442 6-1/8  | 6  | G1/8 | 11,6 | 5 | 44   | 18,5 | 4 | 15   | 11,4 | 7,5 | 12 | 15         |
| 7442 6-1/4  | 6  | G1/4 | 11,6 | 6 | 45   | 18,5 | 4 | 15   | 11,4 | 7,5 | 14 | 18         |
| 7442 8-1/8  | 8  | G1/8 | 13,9 | 5 | 49   | 20,5 | 4 | 17   | 13,7 | 8,5 | 14 | 23         |
| 7442 8-1/4  | 8  | G1/4 | 13,9 | 6 | 49   | 20,5 | 4 | 17   | 13,7 | 8,5 | 17 | 22         |
| 7442 8-3/8  | 8  | G3/8 | 13,9 | 7 | 50,5 | 20,5 | 4 | 17   | 13,7 | 8,5 | 19 | 29         |
| 7442 10-1/4 | 10 | G1/4 | 16,1 | 6 | 57   | 24   | 4 | 16   | 15,8 | 8   | 17 | 32         |
| 7442 10-3/8 | 10 | G3/8 | 16,1 | 7 | 57,5 | 24   | 4 | 16   | 15,8 | 8   | 19 | 33         |
| 7442 12-3/8 | 12 | G3/8 | 20,2 | 7 | 65,5 | 28   | 4 | 19,2 | 9    | 9,6 | 19 | 51         |
| 7442 12-1/2 | 12 | G1/2 | 20,2 | 8 | 66,5 | 28   | 4 | 19,2 | 9    | 9,6 | 24 | 58         |
| 7442 16-1/2 | 16 | G1/2 | 27   | 8 | 71,5 | 33,5 | - | -    | -    | -   | 24 | 80         |
| 7442 16-3/4 | 16 | G3/4 | 27   | 9 | 66,5 | 33,5 | - | -    | -    | -   | 30 | 90         |

\* = model without mounting holes

### Fittings Mod. 7432

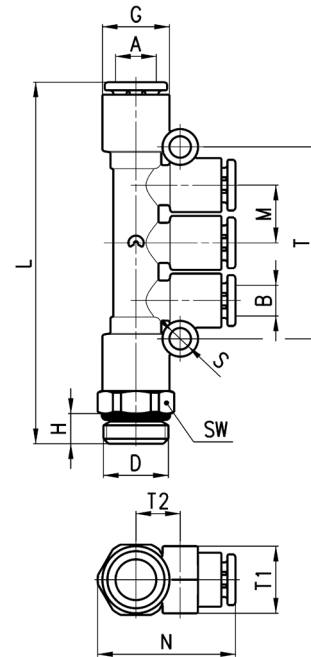
BSP Swivel Male Tee



| DIMENSIONS  |    |      |      |      |     |    |    |            |
|-------------|----|------|------|------|-----|----|----|------------|
| Mod.        | A  | D    | E    | G    | H   | L  | SW | Weight (g) |
| 7432 4-M5   | 4  | M5   | 14   | 9,4  | 3,5 | 34 | 9  | 7          |
| 7432 4-1/8  | 4  | G1/8 | 11,5 | 9,4  | 5   | 34 | 12 | 9          |
| 7432 6-M5   | 6  | M5   | 15,5 | 11,6 | 3,5 | 37 | 9  | 9          |
| 7432 6-1/8  | 6  | G1/8 | 13   | 11,6 | 5   | 37 | 12 | 11         |
| 7432 6-1/4  | 6  | G1/4 | 13   | 11,6 | 6   | 37 | 14 | 13         |
| 7432 8-1/8  | 8  | G1/8 | 16   | 13,9 | 5   | 41 | 12 | 15         |
| 7432 8-1/4  | 8  | G1/4 | 14,5 | 13,9 | 6   | 41 | 14 | 17         |
| 7432 8-3/8  | 8  | G3/8 | 15,5 | 13,9 | 7   | 41 | 19 | 25         |
| 7432 10-1/4 | 10 | G1/4 | 18,5 | 16,1 | 6   | 48 | 14 | 21         |
| 7432 10-3/8 | 10 | G3/8 | 17,5 | 16,1 | 7   | 48 | 19 | 27         |
| 7432 12-1/4 | 12 | G1/4 | 31,5 | 20,2 | 6   | 56 | 20 | 49         |
| 7432 12-3/8 | 12 | G3/8 | 30,5 | 20,2 | 7   | 56 | 20 | 51         |
| 7432 12-1/2 | 12 | G1/2 | 30,5 | 20,2 | 8   | 56 | 24 | 58         |
| 7432 16-1/2 | 16 | G1/2 | 30   | 27   | 8   | 67 | 24 | 80         |
| 7432 16-3/4 | 16 | G3/4 | 24   | 27   | 9   | 67 | 30 | 90         |

### Fittings Mod. 7542

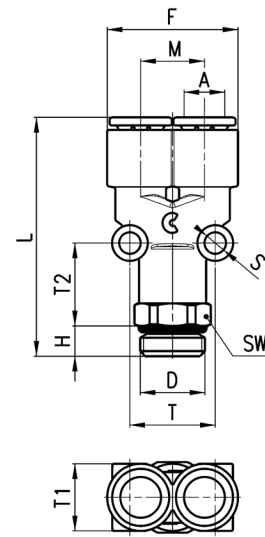
BSP Swivel Male Multi Tee Reducer



| DIMENSIONS    |    |   |      |      |   |      |      |      |   |    |      |      |      |            |
|---------------|----|---|------|------|---|------|------|------|---|----|------|------|------|------------|
| Mod.          | A  | B | D    | G    | H | L    | M    | N    | S | SW | T    | T1   | T2   | Weight (g) |
| 7542 6-4-1/8  | 6  | 4 | G1/8 | 11,6 | 5 | 62,5 | 9,6  | 24,5 | 4 | 12 | 32,5 | 11   | 7,5  | 18         |
| 7542 6-4-1/4  | 6  | 4 | G1/4 | 11,6 | 6 | 63,5 | 9,6  | 25,5 | 4 | 14 | 32,5 | 11   | 7,5  | 21         |
| 7542 8-6-1/8  | 8  | 6 | G1/8 | 13,9 | 5 | 72   | 11,5 | 27,5 | 4 | 14 | 38,2 | 13,5 | 9    | 28         |
| 7542 8-6-1/4  | 8  | 6 | G1/4 | 13,9 | 6 | 72   | 11,5 | 27,5 | 4 | 14 | 38,2 | 13,5 | 9    | 26         |
| 7542 10-8-1/4 | 10 | 8 | G1/4 | 16,1 | 6 | 87,5 | 14,1 | 31   | 4 | 17 | 45,8 | 16   | 10,5 | 41         |
| 7542 10-8-3/8 | 10 | 8 | G3/8 | 16,1 | 7 | 88   | 14,1 | 32   | 4 | 19 | 45,8 | 16   | 10,5 | 42         |

**Fittings Mod. 7562**

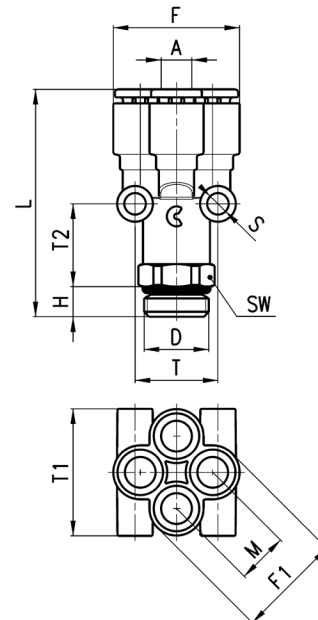
BSP Swivel Male Y



| DIMENSIONS  |    |      |      |   |      |      |   |    |      |      |      |            |
|-------------|----|------|------|---|------|------|---|----|------|------|------|------------|
| Mod.        | A  | D    | F    | H | L    | M    | S | SW | T    | T1   | T2   | Weight (g) |
| 7562 4-1/8  | 4  | G1/8 | 18,5 | 5 | 40,5 | 9    | 4 | 12 | 12,2 | 11,6 | 16,5 | 13         |
| 7562 6-1/8  | 6  | G1/8 | 23   | 5 | 44   | 11,4 | 4 | 14 | 14,5 | 14   | 18,5 | 15         |
| 7562 6-1/4  | 6  | G1/4 | 23   | 6 | 44   | 11,4 | 4 | 14 | 14,5 | 14   | 17,5 | 29         |
| 7562 8-1/8  | 8  | G1/8 | 27,2 | 5 | 47,5 | 13,5 | 4 | 14 | 17   | 14   | 17,5 | 24         |
| 7562 8-1/4  | 8  | G1/4 | 26,2 | 6 | 49   | 12,7 | 4 | 17 | 16,5 | 15,5 | 19,5 | 30         |
| 7562 10-1/4 | 10 | G1/4 | 31,7 | 6 | 55   | 15,8 | 4 | 17 | 16,5 | 16   | 19,5 | 32         |
| 7562 10-3/8 | 10 | G3/8 | 31,7 | 7 | 55,5 | 15,8 | 4 | 19 | 16,5 | 16   | 19   | 34         |

**Fittings Mod. 7572**

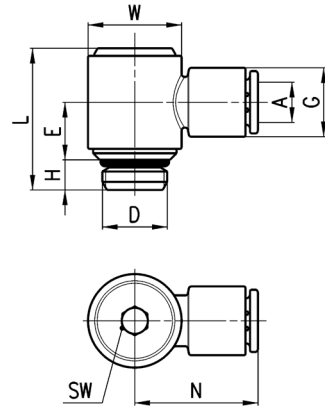
BSP Male Double Y



| DIMENSIONS |   |      |   |      |    |      |      |   |    |      |      |      |            |
|------------|---|------|---|------|----|------|------|---|----|------|------|------|------------|
| Mod.       | A | D    | H | F    | F1 | L    | M    | S | SW | T    | T1   | T2   | Weight (g) |
| 7572 4-1/8 | 4 | G1/8 | 5 | 20,5 | 17 | 40,5 | 8,3  | 4 | 12 | 14,5 | 20,5 | 15   | 17         |
| 7572 4-1/4 | 4 | G1/4 | 6 | 20,5 | 17 | 41,5 | 8,3  | 4 | 14 | 14,5 | 20,5 | 15   | 21         |
| 7572 6-1/8 | 6 | G1/8 | 5 | 25   | 21 | 45,5 | 10,2 | 4 | 14 | 16,5 | 25   | 17,5 | 27         |
| 7572 6-1/4 | 6 | G1/4 | 6 | 25   | 21 | 45,5 | 10,2 | 4 | 14 | 16,5 | 25   | 16,5 | 25         |

### Fittings Mod. 7622

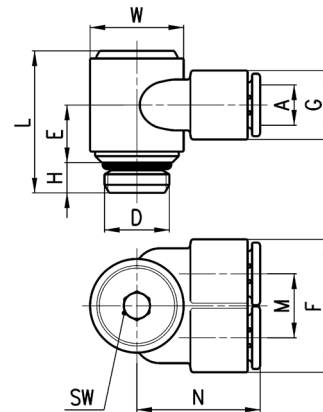
Complete BSP Swivel Single Banjo



| DIMENSIONS  |    |      |      |      |   |      |      |      |    |            |
|-------------|----|------|------|------|---|------|------|------|----|------------|
| Mod.        | A  | D    | E    | G    | H | L    | N    | W    | SW | Weight (g) |
| 7622 4-1/8  | 4  | G1/8 | 10   | 11,6 | 5 | 24,5 | 21   | 14   | 4  | 12         |
| 7622 6-1/8  | 6  | G1/8 | 10   | 11,6 | 5 | 24,5 | 21   | 14   | 4  | 12         |
| 7622 6-1/4  | 6  | G1/4 | 12,5 | 11,6 | 6 | 28   | 24,5 | 18,5 | 5  | 25         |
| 7622 8-1/8  | 8  | G1/8 | 10   | 13,9 | 5 | 24,5 | 22,5 | 14   | 4  | 14         |
| 7622 8-1/4  | 8  | G1/4 | 12,5 | 13,9 | 6 | 28   | 24,5 | 18,5 | 5  | 26         |
| 7622 10-1/4 | 10 | G1/4 | 12,5 | 16,1 | 6 | 28   | 27   | 18,5 | 5  | 27         |
| 7622 10-3/8 | 10 | G3/8 | 12,5 | 16,1 | 7 | 29   | 27   | 18,5 | 5  | 28         |
| 7622 12-3/8 | 12 | G3/8 | 14   | 20,2 | 7 | 33,5 | 29   | 22   | 5  | 43         |

### Fittings Mod. 7652

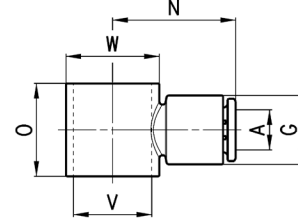
Complete BSP Swivel Double Banjo



| DIMENSIONS  |    |      |      |      |      |   |      |      |      |      |    |            |
|-------------|----|------|------|------|------|---|------|------|------|------|----|------------|
| Mod.        | A  | D    | E    | F    | G    | H | L    | M    | N    | W    | SW | Weight (g) |
| 7652 4-1/8  | 4  | G1/8 | 10   | 22,3 | 11,6 | 5 | 24,5 | 10,7 | 21   | 14   | 4  | 15         |
| 7652 6-1/8  | 6  | G1/8 | 10   | 22,3 | 11,6 | 5 | 24,5 | 10,7 | 21   | 14   | 4  | 15         |
| 7652 6-1/4  | 6  | G1/4 | 11,5 | 26,6 | 11,6 | 6 | 28   | 12,7 | 24,5 | 18,5 | 5  | 29         |
| 7652 8-1/8  | 8  | G1/8 | 10   | 26,6 | 13,9 | 5 | 24,5 | 12,7 | 22   | 14   | 4  | 18         |
| 7652 8-1/4  | 8  | G1/4 | 11,5 | 26,6 | 13,9 | 6 | 28   | 12,7 | 24,5 | 18,5 | 5  | 30         |
| 7652 10-1/4 | 10 | G1/4 | 11,5 | 31   | 16   | 6 | 28   | 15   | 26,5 | 18,5 | 5  | 33         |
| 7652 10-3/8 | 10 | G3/8 | 11,5 | 31   | 16   | 7 | 29   | 15   | 26,5 | 18,5 | 5  | 34         |

**Fittings Mod. 7610 assembled with Mod. 7632 02, 7632 03**

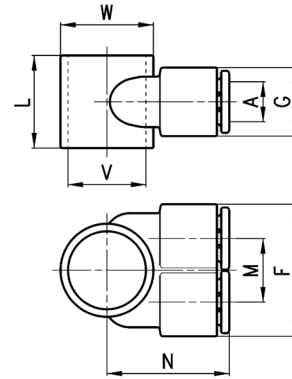
Single Banjo



| DIMENSIONS  |    |      |      |      |      |      |            |
|-------------|----|------|------|------|------|------|------------|
| Mod.        | A  | G    | N    | O    | V    | W    | Weight (g) |
| 7610 4-1/8  | 4  | 11,6 | 21   | 15,5 | 11   | 14   | 3          |
| 7610 6-1/8  | 6  | 11,6 | 21   | 15,5 | 11   | 14   | 4          |
| 7610 6-1/4  | 6  | 13,9 | 24,5 | 18,5 | 15,5 | 18,5 | 6          |
| 7610 8-1/8  | 8  | 13,9 | 22,5 | 15,5 | 11   | 14   | 5          |
| 7610 8-1/4  | 8  | 13,9 | 24,5 | 18,5 | 15,5 | 18,5 | 7          |
| 7610 10-1/4 | 10 | 16,1 | 27   | 18,5 | 15,5 | 18,5 | 7          |
| 7610 10-3/8 | 10 | 20,2 | 29   | 22   | 18   | 22   | 11         |
| 7610 12-3/8 | 12 | 20,2 | 29   | 22   | 18   | 22   | 12         |

**Fittings Mod. 7640 assembled with Mod. 7632 02, 7632 03**

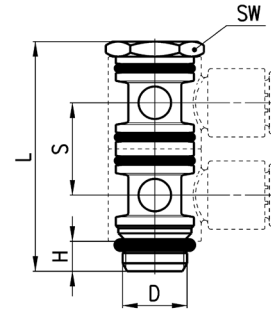
Double Banjo



| DIMENSIONS  |    |      |      |      |      |      |      |      |            |
|-------------|----|------|------|------|------|------|------|------|------------|
| Mod.        | A  | F    | G    | L    | M    | N    | V    | W    | Weight (g) |
| 7640 4-1/8  | 4  | 22,3 | 11,6 | 15,5 | 10,7 | 21   | 11   | 14   | 6          |
| 7640 6-1/8  | 6  | 22,3 | 11,6 | 15,5 | 10,7 | 21   | 11   | 14   | 7          |
| 7640 6-1/4  | 6  | 26,6 | 13,9 | 18,5 | 12,7 | 24,5 | 15,5 | 18,5 | 9          |
| 7640 8-1/8  | 8  | 26,6 | 13,9 | 15,5 | 12,7 | 22   | 11   | 14   | 10         |
| 7640 8-1/4  | 8  | 26,6 | 13,9 | 18,5 | 12,7 | 24,5 | 15,5 | 18,5 | 10         |
| 7640 10-1/4 | 10 | 31   | 16   | 18,5 | 15   | 26,5 | 15,5 | 18,5 | 13         |

**Fittings Mod. 7632 02 assembled with Mod. 7610, 7640**

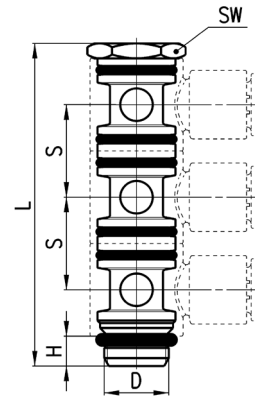
Double Banjo Stem



| DIMENSIONS  |      |   |      |      |    |            |
|-------------|------|---|------|------|----|------------|
| Mod.        | D    | H | L    | S    | SW | Weight (g) |
| 7632 02-1/8 | G1/8 | 5 | 38,5 | 15,5 | 13 | 14         |
| 7632 02-1/4 | G1/4 | 6 | 46   | 18,5 | 17 | 29         |
| 7632 02-3/8 | G3/8 | 7 | 54   | 22   | 20 | 45         |

**Fittings Mod. 7632 03 assembled with Mod. 7610, 7640**

Triple Banjo Stem



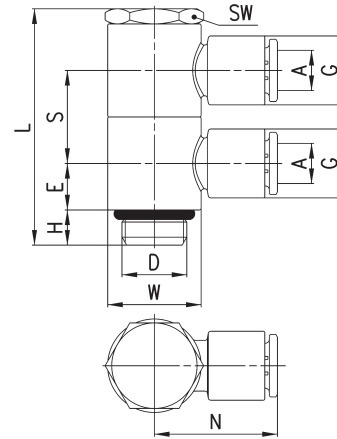
| DIMENSIONS  |      |   |      |      |    |            |
|-------------|------|---|------|------|----|------------|
| Mod.        | D    | H | L    | S    | SW | Weight (g) |
| 7632 03-1/8 | G1/8 | 5 | 54   | 15,5 | 13 | 18         |
| 7632 03-1/4 | G1/4 | 6 | 64,5 | 18,5 | 17 | 39         |



### Fittings Mod. 7612 02



Complete BSP Double Adjustable  
Single Banjo

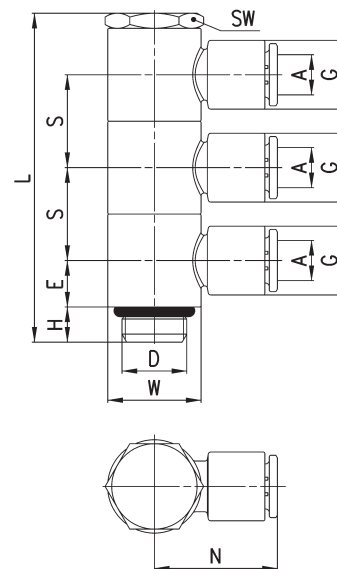


| DIMENSIONS     |    |      |      |      |   |      |      |      |      |    |            |
|----------------|----|------|------|------|---|------|------|------|------|----|------------|
| Mod.           | A  | D    | E    | G    | H | L    | N    | S    | W    | SW | Weight (g) |
| 7612 02-4-1/8  | 4  | G1/8 | 7,75 | 11,6 | 5 | 38,5 | 21   | 15,5 | 14   | 13 | 21         |
| 7612 02-6-1/8  | 6  | G1/8 | 7,75 | 11,6 | 5 | 38,5 | 21   | 15,5 | 14   | 13 | 21         |
| 7612 02-6-1/4  | 6  | G1/4 | 9,25 | 13,9 | 6 | 46   | 24,5 | 18,5 | 18,5 | 17 | 40         |
| 7612 02-8-1/8  | 8  | G1/8 | 7,75 | 13,9 | 5 | 38,5 | 22,5 | 15,5 | 14   | 13 | 24         |
| 7612 02-8-1/4  | 8  | G1/4 | 9,25 | 13,9 | 6 | 46   | 24,5 | 18,5 | 18,5 | 17 | 42         |
| 7612 02-10-1/4 | 10 | G1/4 | 9,25 | 16,1 | 6 | 46   | 27   | 18,5 | 18,5 | 17 | 44         |
| 7612 02-10-3/8 | 10 | G3/8 | 11   | 20,2 | 7 | 54   | 29   | 22   | 22   | 20 | 67         |
| 7612 02-12-3/8 | 12 | G3/8 | 11   | 20,2 | 7 | 54   | 29   | 22   | 22   | 20 | 69         |

### Fittings Mod. 7612 03



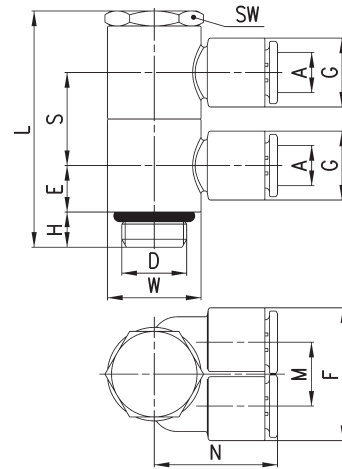
Complete BSP Triple Adjustable  
Single Banjo



| DIMENSIONS     |    |      |      |      |   |      |      |      |      |    |            |
|----------------|----|------|------|------|---|------|------|------|------|----|------------|
| Mod.           | A  | D    | E    | G    | H | L    | N    | S    | W    | SW | Weight (g) |
| 7612 03-4-1/8  | 4  | G1/8 | 7,75 | 11,6 | 5 | 54   | 21   | 15,5 | 14   | 13 | 29         |
| 7612 03-6-1/8  | 6  | G1/8 | 7,75 | 11,6 | 5 | 54   | 21   | 15,5 | 14   | 13 | 30         |
| 7612 03-6-1/4  | 6  | G1/4 | 9,25 | 13,9 | 6 | 64,5 | 24,5 | 18,5 | 18,5 | 17 | 55         |
| 7612 03-8-1/8  | 8  | G1/8 | 7,75 | 13,9 | 5 | 54   | 22,5 | 15,5 | 14   | 13 | 34         |
| 7612 03-8-1/4  | 8  | G1/4 | 9,25 | 13,9 | 6 | 64,5 | 24,5 | 18,5 | 18,5 | 17 | 57         |
| 7612 03-10-1/4 | 10 | G1/4 | 9,25 | 16,1 | 6 | 64,5 | 27   | 18,5 | 18,5 | 17 | 62         |

**Fittings Mod. 7642 02**

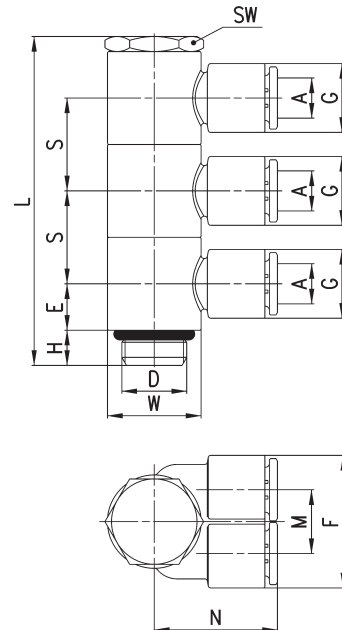
Complete BSP Double Adjustable  
Double Banjo



| DIMENSIONS     |    |      |      |      |      |   |      |      |      |      |      |    |            |
|----------------|----|------|------|------|------|---|------|------|------|------|------|----|------------|
| Mod.           | A  | D    | E    | F    | G    | H | L    | M    | N    | S    | W    | SW | Weight (g) |
| 7642 02-4-1/8  | 4  | G1/8 | 7,75 | 22,3 | 11,6 | 5 | 38,5 | 10,7 | 21   | 15,5 | 14   | 13 | 26         |
| 7642 02-6-1/8  | 6  | G1/8 | 7,75 | 22,3 | 11,6 | 5 | 38,5 | 10,7 | 21   | 15,5 | 14   | 13 | 28         |
| 7642 02-6-1/4  | 6  | G1/4 | 9,25 | 26,6 | 13,9 | 6 | 46   | 12,7 | 24,5 | 18,5 | 18,5 | 17 | 48         |
| 7642 02-8-1/8  | 8  | G1/8 | 7,75 | 26,6 | 13,9 | 5 | 38,5 | 12,7 | 22   | 15,5 | 14   | 13 | 33         |
| 7642 02-8-1/4  | 8  | G1/4 | 9,25 | 26,6 | 13,9 | 6 | 46   | 12,7 | 24,5 | 18,5 | 18,5 | 17 | 50         |
| 7642 02-10-1/4 | 10 | G1/4 | 9,25 | 31   | 16   | 6 | 46   | 15   | 26,5 | 18,5 | 18,5 | 17 | 56         |

**Fittings Mod. 7642 03**

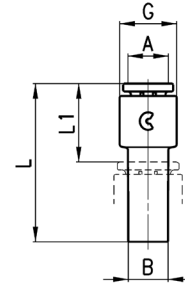
Complete BSP Triple Adjustable  
Double Banjo



| DIMENSIONS     |    |      |      |      |      |   |      |      |      |      |      |    |            |
|----------------|----|------|------|------|------|---|------|------|------|------|------|----|------------|
| Mod.           | A  | D    | E    | F    | G    | H | L    | M    | N    | S    | W    | SW | Weight (g) |
| 7642 03-4-1/8  | 4  | G1/8 | 7,75 | 22,3 | 11,6 | 5 | 54   | 10,7 | 21   | 15,5 | 14   | 13 | 37         |
| 7642 03-6-1/8  | 6  | G1/8 | 7,75 | 22,3 | 11,6 | 5 | 54   | 10,7 | 21   | 15,5 | 14   | 13 | 39         |
| 7642 03-6-1/4  | 6  | G1/4 | 9,25 | 26,6 | 13,9 | 6 | 64,5 | 12,7 | 24,5 | 18,5 | 18,5 | 17 | 67         |
| 7642 03-8-1/8  | 8  | G1/8 | 7,75 | 26,6 | 13,9 | 5 | 54   | 12,7 | 22,5 | 15,5 | 14   | 13 | 47         |
| 7642 03-8-1/4  | 8  | G1/4 | 9,25 | 26,6 | 13,9 | 6 | 64,5 | 12,7 | 24,5 | 18,5 | 18,5 | 17 | 71         |
| 7642 03-10-1/4 | 10 | G1/4 | 9,25 | 31   | 16,1 | 6 | 64,5 | 15   | 27   | 18,5 | 18,5 | 17 | 79         |

## Fittings Mod. 7800

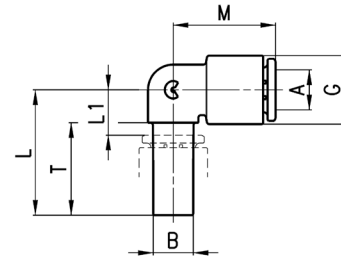
### Reducer Junction



| DIMENSIONS |    |    |      |      |      |            |
|------------|----|----|------|------|------|------------|
| Mod.       | A  | B  | G    | L1   | L    | Weight (g) |
| 7800 4-6   | 4  | 6  | 9,4  | 14,5 | 29,5 | 2          |
| 7800 4-8   | 4  | 8  | 9,4  | 14,5 | 30,5 | 3          |
| 7800 6-8   | 6  | 8  | 11,6 | 15,5 | 31,5 | 4          |
| 7800 6-10  | 6  | 10 | 11,6 | 15,5 | 34   | 4          |
| 7800 6-12  | 6  | 12 | 11,6 | 16,5 | 35,5 | 4          |
| 7800 8-10  | 8  | 10 | 13,9 | 16,5 | 35   | 5          |
| 7800 8-12  | 8  | 12 | 13,9 | 17,5 | 37   | 6          |
| 7800 10-12 | 10 | 12 | 16,1 | 18,5 | 37,5 | 7          |
| 7800 10-14 | 10 | 14 | 16,1 | 22,5 | 39   | 7          |

## Fittings Mod. 7555

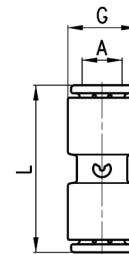
### Junction Elbow



| DIMENSIONS |    |    |      |      |    |      |      |            |
|------------|----|----|------|------|----|------|------|------------|
| Mod.       | A  | B  | G    | L    | L1 | M    | T    | Weight (g) |
| 7555 4-4   | 4  | 4  | 9,4  | 21   | 7  | 16,5 | 16,5 | 2          |
| 7555 6-6   | 6  | 6  | 11,6 | 23   | 8  | 18,5 | 17,5 | 4          |
| 7555 8-8   | 8  | 8  | 13,9 | 25   | 9  | 20,5 | 18,5 | 5          |
| 7555 10-10 | 10 | 10 | 16,1 | 28,5 | 10 | 24   | 21   | 8          |
| 7555 12-12 | 12 | 12 | 20,2 | 32   | 13 | 28   | 23   | 12         |

## Fittings Mod. 7580

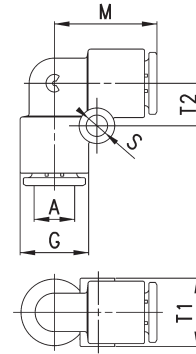
### Union Connector



| DIMENSIONS |    |      |      |            |
|------------|----|------|------|------------|
| Mod.       | A  | G    | L    | Weight (g) |
| 7580 4     | 4  | 9,4  | 29   | 4          |
| 7580 6     | 6  | 11,6 | 31   | 6          |
| 7580 8     | 8  | 13,9 | 33,5 | 9          |
| 7580 10    | 10 | 16,1 | 38,5 | 11         |
| 7580 12    | 12 | 20,2 | 39,5 | 18         |

### Fittings Mod. 7550

Elbow Connector

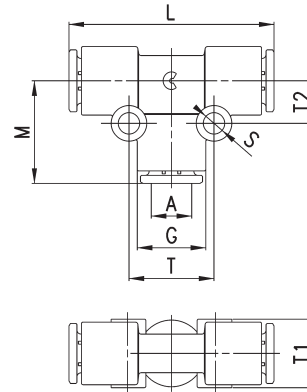


| DIMENSIONS |    |      |      |   |      |     |            |
|------------|----|------|------|---|------|-----|------------|
| Mod.       | A  | G    | M    | S | T1   | T2  | Weight (g) |
| 7550 4     | 4  | 9,4  | 16,5 | 4 | 9,2  | 6,5 | 4          |
| 7550 6     | 6  | 11,6 | 18,5 | 4 | 11,4 | 7,5 | 6          |
| 7550 8     | 8  | 13,9 | 20,5 | 4 | 13,7 | 8,5 | 9          |
| 7550 10    | 10 | 16,1 | 24   | 4 | 15,8 | 8   | 12         |
| 7550 12    | 12 | 20,2 | 28   | 4 | 9    | 9,6 | 20         |
| 7550 16    | 16 | 27   | 33,5 | - | -    | -   | 42 *       |

\* = model without mounting holes

### Fittings Mod. 7540

Tee Connector

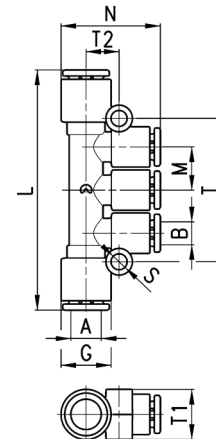


| DIMENSIONS |    |      |    |      |   |      |      |     |            |
|------------|----|------|----|------|---|------|------|-----|------------|
| Mod.       | A  | G    | L  | M    | S | T    | T1   | T2  | Weight (g) |
| 7540 4     | 4  | 9,2  | 33 | 16,5 | 4 | 13   | 9,2  | 6,5 | 6          |
| 7540 6     | 6  | 11,6 | 37 | 18,5 | 4 | 15   | 11,4 | 7,5 | 9          |
| 7540 8     | 8  | 13,9 | 41 | 20,5 | 4 | 17   | 13,7 | 8,5 | 14         |
| 7540 10    | 10 | 16,1 | 48 | 24   | 4 | 16   | 15,8 | 8   | 18         |
| 7540 12    | 12 | 20,2 | 56 | 28   | 4 | 19,2 | 9    | 9,6 | 30         |
| 7540 16    | 16 | 27   | 67 | 33,5 | - | -    | -    | -   | 61 *       |

\* = model without mounting holes

### Fittings Mod. 7545

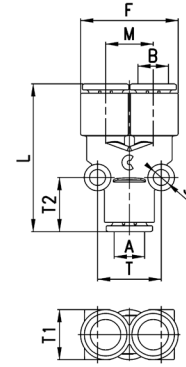
Multi Tee Reducer



| DIMENSIONS |    |   |      |      |      |      |   |      |      |      |            |
|------------|----|---|------|------|------|------|---|------|------|------|------------|
| Mod.       | A  | B | G    | L    | M    | N    | S | T    | T1   | T2   | Weight (g) |
| 7545 6-4   | 6  | 4 | 11,6 | 55,5 | 9,6  | 23,5 | 4 | 32,5 | 11   | 7,5  | 12         |
| 7545 8-6   | 8  | 6 | 13,9 | 64   | 11,5 | 26,5 | 4 | 38,2 | 13,5 | 9    | 18         |
| 7545 10-8  | 10 | 8 | 16,1 | 78,5 | 14,1 | 30   | 4 | 45,8 | 16   | 10,5 | 27         |

### Fittings Mod. 7560

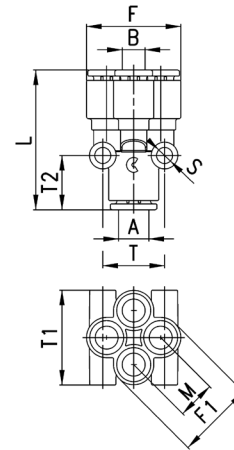
Y Connector - Reducer



| DIMENSIONS |    |    |      |      |      |   |      |      |      |            |
|------------|----|----|------|------|------|---|------|------|------|------------|
| Mod.       | A  | B  | F    | L    | M    | S | T    | T1   | T2   | Weight (g) |
| 7560 4     | 4  | 4  | 18,2 | 33   | 9    | 4 | 10,8 | 9,5  | 13   | 6          |
| 7560 6     | 6  | 6  | 23   | 35   | 11,4 | 4 | 14,5 | 11,5 | 13,5 | 9          |
| 7560 8     | 8  | 8  | 27,2 | 39,5 | 13,5 | 4 | 17   | 14   | 14,5 | 15         |
| 7560 10    | 10 | 10 | 31,7 | 46   | 15,8 | 4 | 16,5 | 16   | 16,5 | 19         |
| 7560 6-4   | 6  | 4  | 18,5 | 33,5 | 9    | 4 | 12,2 | 11,6 | 14,5 | 7          |
| 7560 8-6   | 8  | 6  | 23   | 36   | 11,4 | 4 | 14,5 | 14   | 15,5 | 11         |
| 7560 10-8  | 10 | 8  | 26,2 | 40   | 12,7 | 4 | 16,5 | 15,5 | 16   | 16         |

### Fittings Mod. 7575

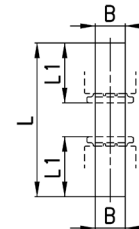
Reduced Double Y



| DIMENSIONS |   |   |      |    |      |      |   |      |      |      |            |
|------------|---|---|------|----|------|------|---|------|------|------|------------|
| Mod.       | A | B | F    | F1 | L    | M    | S | T    | T1   | T2   | Weight (g) |
| 7575 6-4   | 6 | 4 | 20,5 | 17 | 33,5 | 8,3  | 4 | 14,5 | 20,5 | 13,5 | 12         |
| 7575 8-6   | 8 | 6 | 25   | 21 | 37   | 10,2 | 4 | 16,5 | 25   | 14,5 | 17         |

### Fittings Mod. 7950

Plastic Junction



| DIMENSIONS |    |    |      |            |
|------------|----|----|------|------------|
| Mod.       | B  | L  | L1   | Weight (g) |
| 7950 4     | 4  | 37 | 14   | 1          |
| 7950 6     | 6  | 39 | 15   | 1          |
| 7950 8     | 8  | 41 | 16   | 1          |
| 7950 10    | 10 | 44 | 18,5 | 1          |
| 7950 12    | 12 | 49 | 19   | 1          |